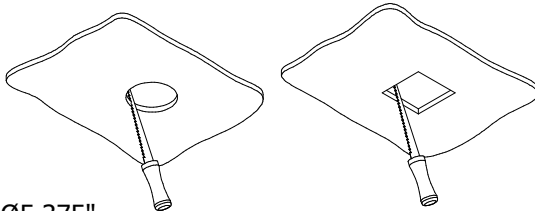


WARNING - RISK OF FIRE AND ELECTRICAL SHOCK. FIXTURE MUST BE INSTALLED BY A QUALIFIED ELECTRICIAN ONLY. FIXTURE IS INTENDED FOR INSTALLATION IN ACCORDANCE WITH THE NATIONAL ELECTRICAL CODE, LOCAL AND FEDERAL SPECIFICATIONS. DISCONNECT POWER AT ELECTRICAL PANEL BEFORE SERVICING.

RETAIN THESE INSTRUCTIONS FOR MAINTENANCE REFERENCE.

1 CUT HOLE IN CEILING

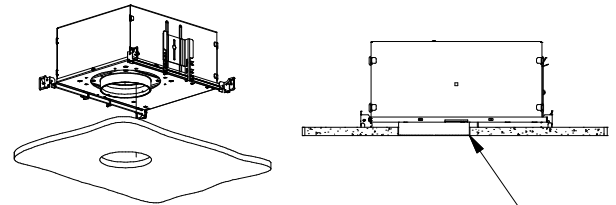


DIMENSIONS

E4.75RA ROUND: Ø5.375"

E4.75SA SQUARE: 5.375 X 5.375"

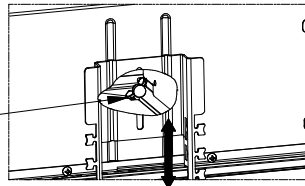
2 LOCATE FIXTURE



APERTURE RING TO BE FLUSH WITH BOTTOM OF CEILING

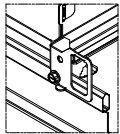
3 ADJUST FIXTURE

WING NUT ON INSIDE OF HOUSING

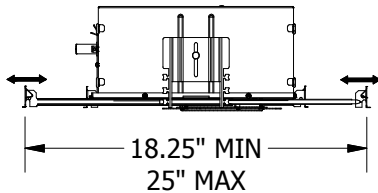


VERTICAL ADJUSTMENT

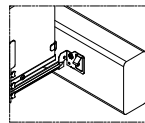
LOOSEN WING NUT, ADJUST HEIGHT THEN TIGHTEN WING NUT.



T-BAR



18.25" MIN
25" MAX

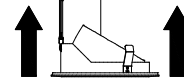
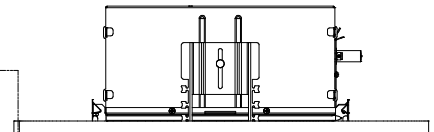
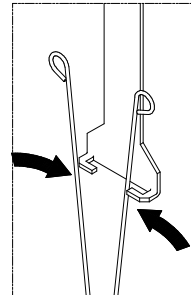


WOOD

HORIZONTAL ADJUSTMENT

SPREAD HANGER BARS AND MOUNT TO T-BAR OR WOOD WITH HARDWARE SUPPLIED BY OTHERS.

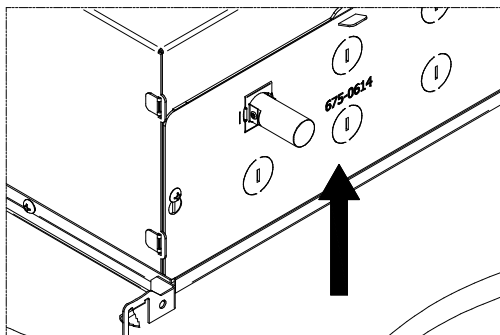
4 INSTALL TRIM



COMPRESS SPRING CLIP THEN LIFT TRIM INTO FIXTURE HOUSING

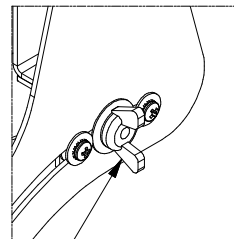
5 MAKE ELECTRICAL CONNECTION

REMOVE ELECTRICAL KNOCKOUT AND MAKE CONNECTION TO LED DRIVER

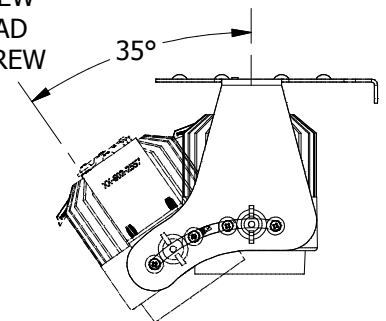


6 ADJUST TILT

1. LOOSEN THUMB SCREW
2. ADJUST OPTICAL HEAD
3. TIGHTEN THUMB SCREW



THUMB SCREW



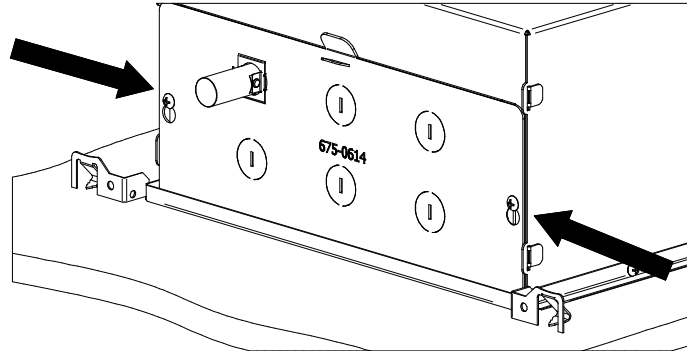
INSTRUCTION SHEET

WARNING - RISK OF FIRE AND ELECTRICAL SHOCK. FIXTURE MUST BE INSTALLED BY A QUALIFIED ELECTRICIAN ONLY. FIXTURE IS INTENDED FOR INSTALLATION IN ACCORDANCE WITH THE NATIONAL ELECTRICAL CODE, LOCAL AND FEDERAL SPECIFICATIONS. DISCONNECT POWER AT ELECTRICAL PANEL BEFORE SERVICING.

RETAIN THESE INSTRUCTIONS FOR MAINTENANCE REFERENCE.

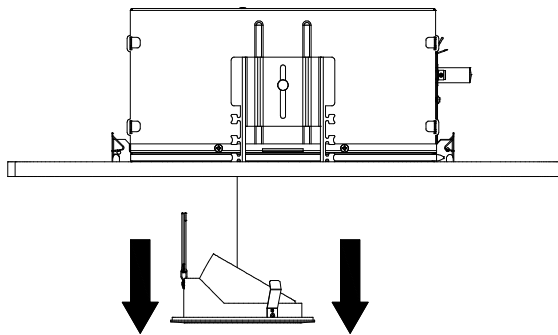
JUNCTION BOX ACCESS

1. REMOVE (2X) SCREW
2. SLIDE COVER UP AND REMOVE



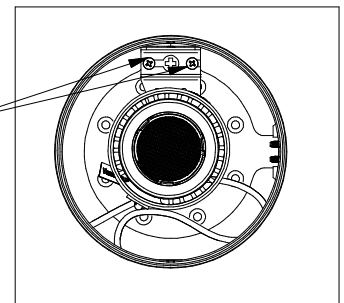
LED/OPTICAL HEAD REPLACEMENT

1. REMOVE TRIM

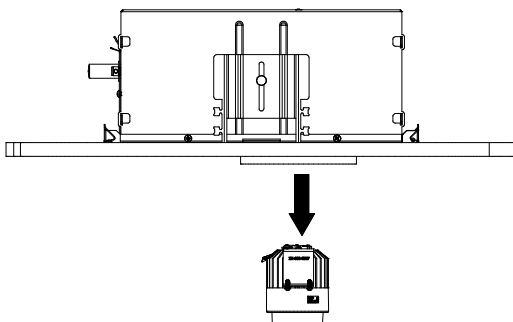


2. LOOSEN 2X #6 SCREW
SLIDE AND LIFT OPTICAL HEAD
UP AND OUT FROM BRACKET

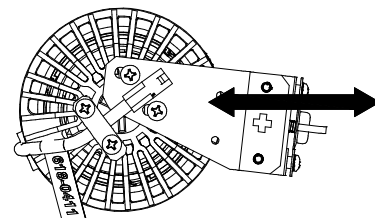
REMOVE SCREWS (2X)



3. PULL OPTICAL HEAD
THROUGH APERTURE HOLE



4. DISCONNECT OPTICAL
HEAD HARNESS FROM
JUNCTION BOX HARNESS



WARNING: DO NOT LET OPTICAL HEAD ASSEMBLY HANG FREELY AS THIS MAY CAUSE DAMAGE OR INJURY