



LS35DI T5, T5HO and LED

WALL MOUNTED INDIVIDUAL FIXTURES OR CONTINUOUS ROW MOUNTED

WARNING - RISK OF FIRE AND ELECTRICAL SHOCK. FIXTURE MUST BE INSTALLED BY A QUALIFIED ELECTRICIAN ONLY. FIXTURE IS INTENDED FOR INSTALLATION IN ACCORDANCE WITH THE NATIONAL ELECTRICAL CODE, LOCAL AND FEDERAL SPECIFICATIONS. DISCONNECT POWER AT ELECTRICAL PANEL BEFORE SERVICING .
RETAIN THESE INSTRUCTIONS FOR MAINTENANCE REFERENCE.

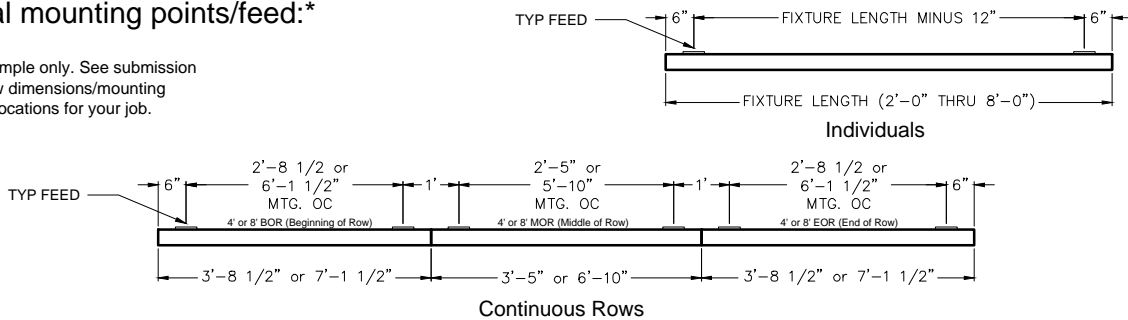
Pre-installation Note:

Supplied by others: - junction boxes/conduit
- mounting hardware
- lamps

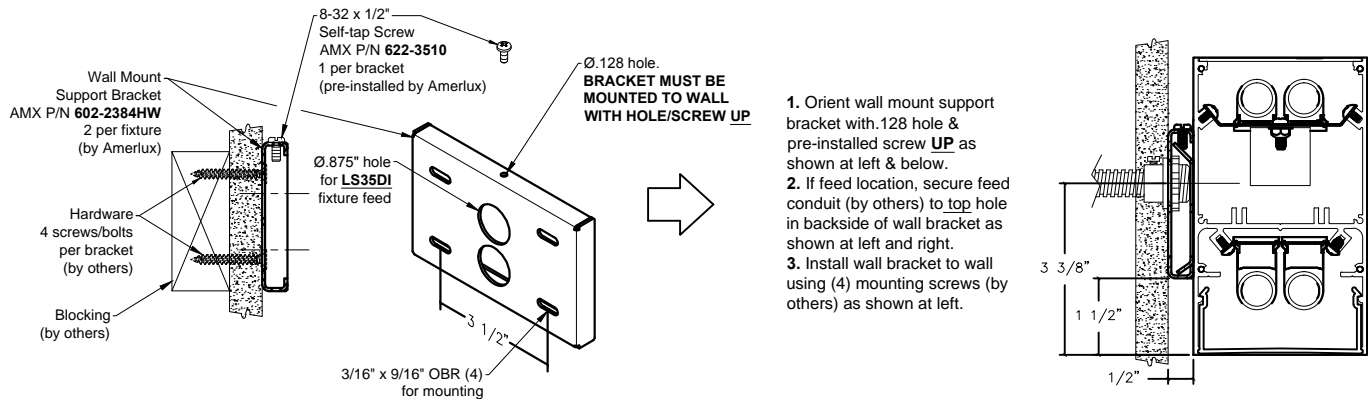
Supplied by Amerlux: - wall mounting brackets

Longitudinal mounting points/feed:*

*Typical example only. See submission for exact row dimensions/mounting points/feed locations for your job.

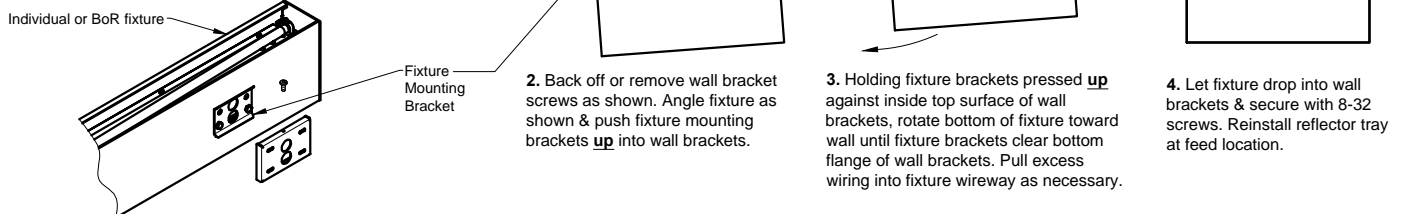
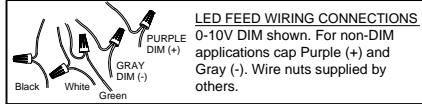
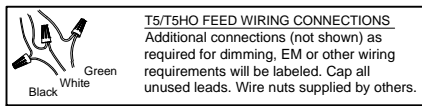


I. Wall mount support bracket installation:



II. Individual/BoR installation:

1. While supporting fixture at proximity of wall brackets, make electrical connections per NEC & local codes. Pull excess wiring into fixture wireway.

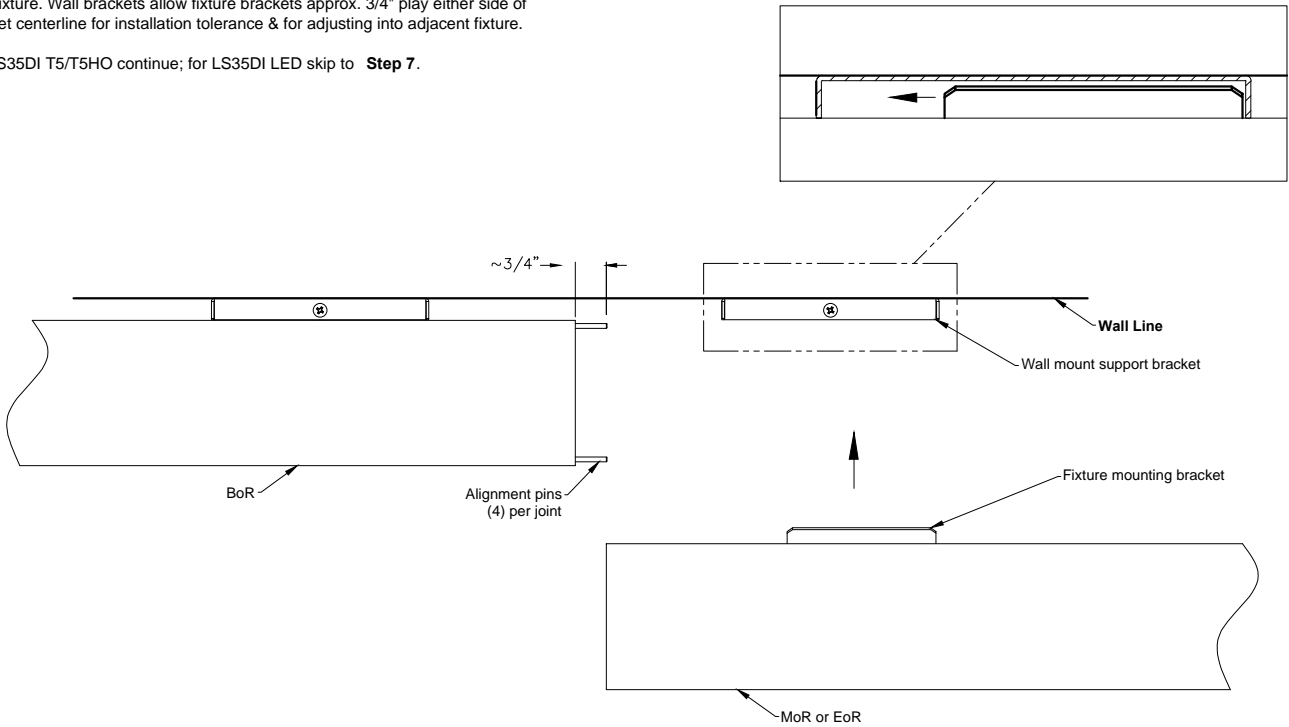




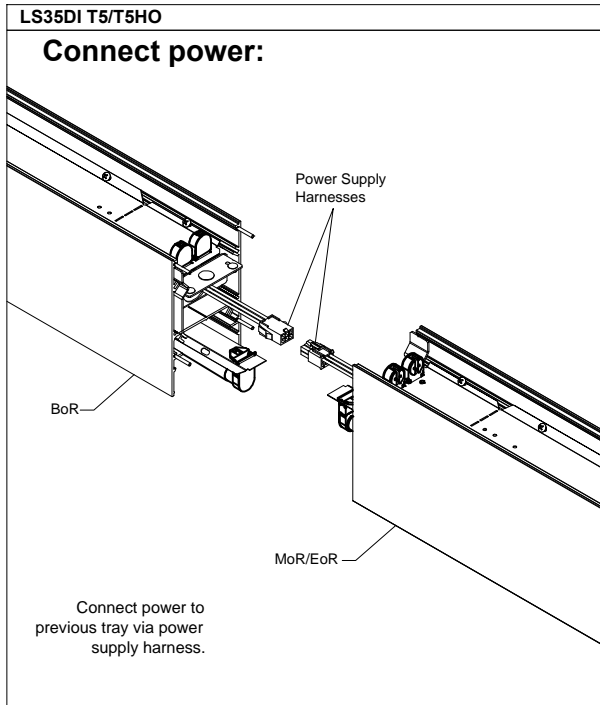
III. Row joining:

- 1** Install MoR or EoR into wall brackets as detailed previously, but with fixture brackets positioned toward right side of wall bracket to clear alignment pins in BoR fixture. Wall brackets allow fixture brackets approx. 3/4" play either side of bracket centerline for installation tolerance & for adjusting into adjacent fixture.

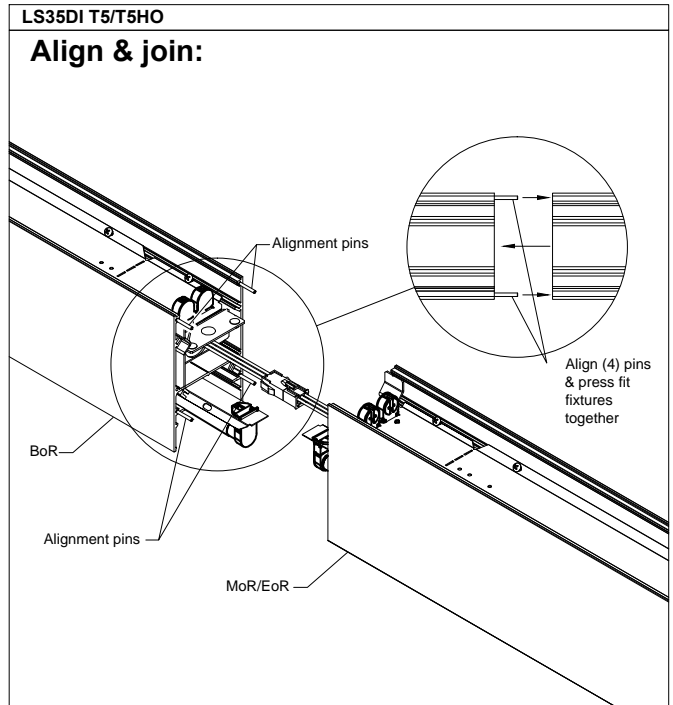
For LS35DI T5/T5HO continue; for LS35DI LED skip to **Step 7**.



2



3





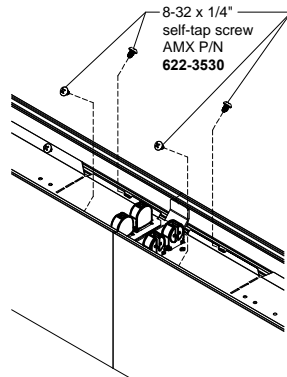
III. Row joining cont'd:

4

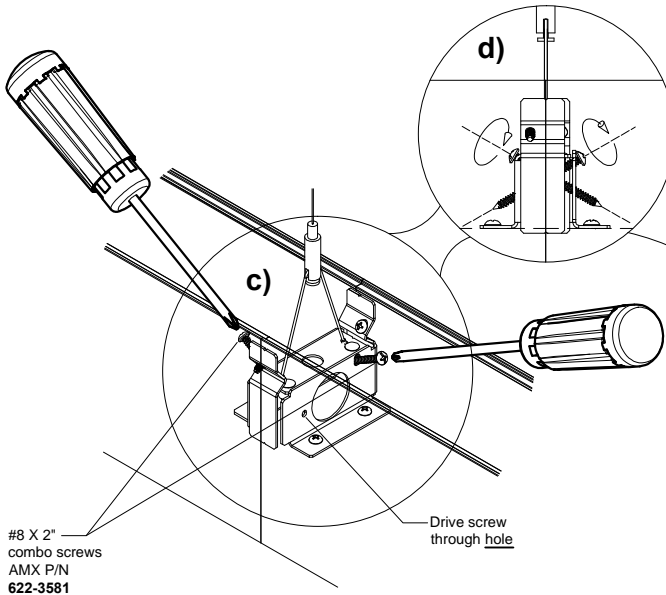
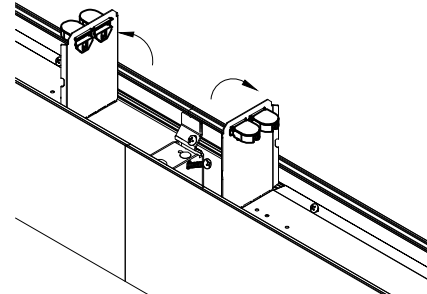
LS35DI T5/T5HO

Secure fixtures/joint:

a) Remove 8-32 x 1/4" screws from reflector ends as shown, (2) per reflector.



b) Bend up reflector ends as shown to expose joining hardware.



c) Locate (2) #8 x 2" combo screws installed loosely in joining brackets.

d) Drive (1) combo screw diagonally downward into hole in opposite hanger bracket without tightening. Drive second screw diagonally downward into hole in opposite hanger bracket without tightening. Tighten both screws fully in turn to pull together & secure fixtures. Magnetic screwdriver recommended.

e) Re-bend down reflector ends & reinstall (4) 8-32 screws to secure.

REPEAT STEPS 2-4 FOR EACH LS35DI T5/T5HO FIXTURE IN ROW.

#8 X 2" combo screws
AMX P/N 622-3581

Drive screw through hole

Hairline

5

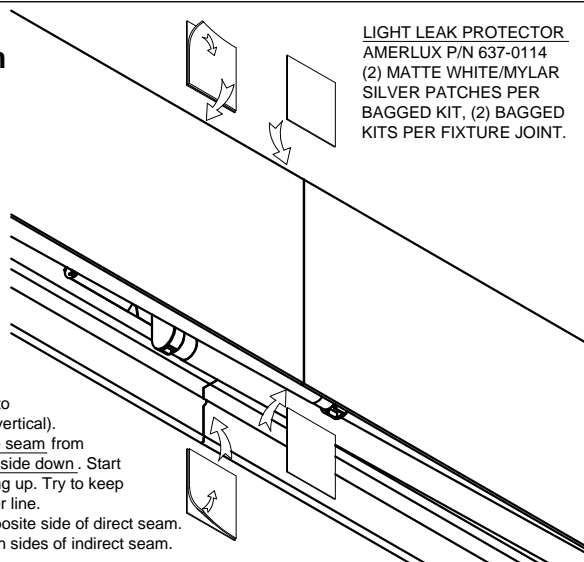
LS35DI T5/T5HO

Install light leak protection

LIGHT LEAK PROTECTOR
AMERLUX P/N 637-0114
(2) MATTE WHITE/MYLAR SILVER PATCHES PER BAGGED KIT, (2) BAGGED KITS PER FIXTURE JOINT.

INSTRUCTIONS:

1. Peel-off protective film.
2. Bring light leak protector to housing seam (long side is vertical).
3. Attach protector to fixture seam from inside housing, mylar silver side down. Start applying from bottom working up. Try to keep seam on the protector center line.
4. Repeat procedure for opposite side of direct seam.
5. Repeat procedure for both sides of indirect seam.



6

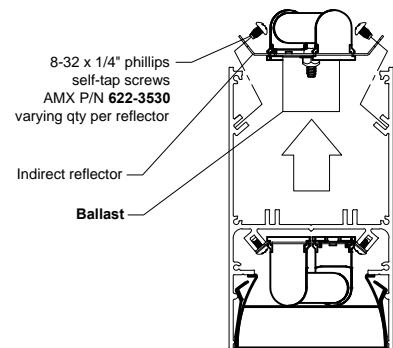
LS35DI T5/T5HO

Lamping/maintenance

1. Install correct lamps. See relamping label on reflector for correct wattage.

2. Ballast maintenance. Ballasts are located on underside of indirect reflector. Remove reflector tray screws to access.

Make sure to disconnect all electrical connections before relamping or servicing.



8-32 x 1/4" phillips self-tap screws
AMX P/N 622-3530
varying qty per reflector

Indirect reflector

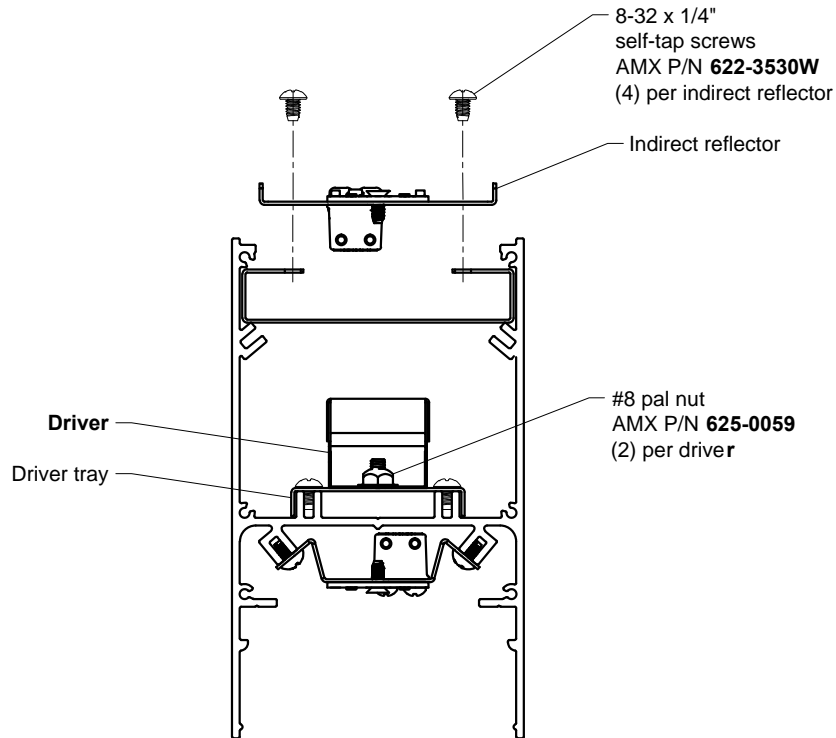
Ballast

III. Row joining cont'd (LED):

9	LS35DI LED
	Secure fixtures/joint:



10 LED reflector removal (only required to access driver)



WARNING: Electrostatic and polarity sensitive device. Use caution while handling and wiring.

1.) LED Fixture:

Consult Amerlux for LED maintenance.

2.) LED Replacement:

For LED board replacement reference 689-0394 Instruction Sheet.

3.) Driver maintenance:

Drivers are located on tray beneath indirect reflectors, (1) driver per tray, secured by (2) #8 pal nuts. Remove the reflector mounting screws to access. For **programmable** driver replacement please specify: **Manufacturer**, **Model No.** and **Current Setting** (□ mA). For drivers with **external** resistors, keep driver resistor value during driver maintenance or replacement.

See 710-0134 Wiring Schematic for more details.

MAKE SURE TO DISCONNECT ALL ELECTRICAL CONNECTIONS BEFORE SERVICING.

Amerlux, LLC. - 178 Bauer Drive, Oakland, NJ 07436 - T: 973-882-5010 - F: 973-882-2605
www.amerlux.com