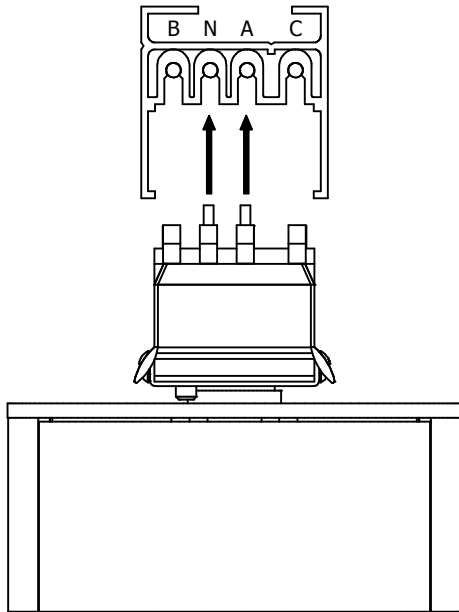


**WARNING - RISK OF FIRE AND ELECTRICAL SHOCK. FIXTURE MUST BE INSTALLED BY A QUALIFIED ELECTRICIAN ONLY. FIXTURE IS INTENDED FOR INSTALLATION IN ACCORDANCE WITH THE NATIONAL ELECTRICAL CODE, LOCAL AND FEDERAL SPECIFICATIONS. DISCONNECT POWER AT ELECTRICAL PANEL BEFORE SERVICING.**

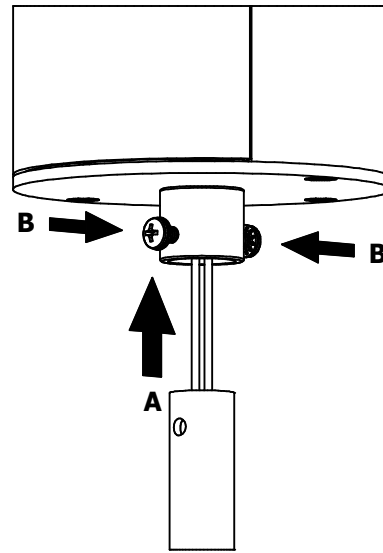
**RETAIN THESE INSTRUCTIONS FOR MAINTENANCE REFERENCE.**

**1 MOUNT FIXTURE**



ALIGN BUSWAY ADAPTER/DRIVER HOUSING TO BUSWAY AND INSERT

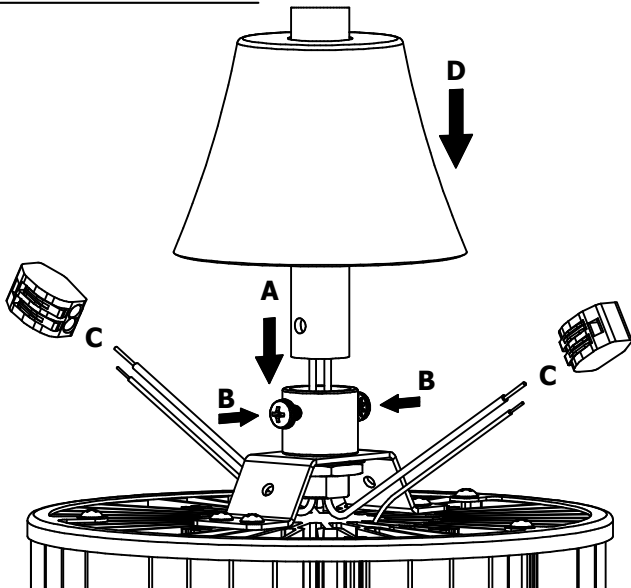
**2 ATTACH STEM**



**A** FEED DRIVER HOUSING WIRES THROUGH STEM AND INSERT STEM INTO TOP HUB

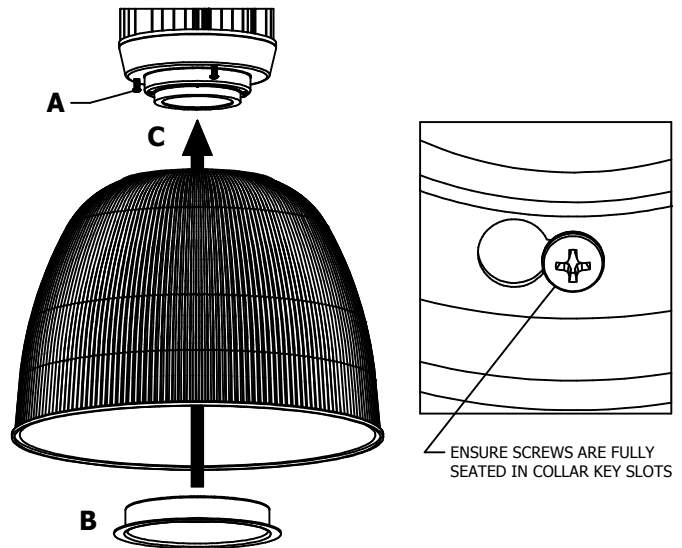
**B** ALIGN (2x) STEM HOLES WITH (2x) SCREWS THEN TIGHTEN SCREWS

**3 ATTACH MODULE**



**A** FEED STEM WIRES THROUGH BOTTOM HUB AND INSERT STEM  
**B** ALIGN (2x) STEM HOLES WITH (2x) SCREWS THEN TIGHTEN SCREWS  
**C** CONNECT RED-RED AND BLACK-BLACK WIRES WITH WAGOS  
**D** COVER WIRE CONNECTIONS WITH SPLICE COVER

**4 ATTACH REFRACTOR**



**A** LOOSEN BUT DON'T REMOVE (3x) SCREWS

**B** TWIST AND REMOVE REFRACTOR COLLAR

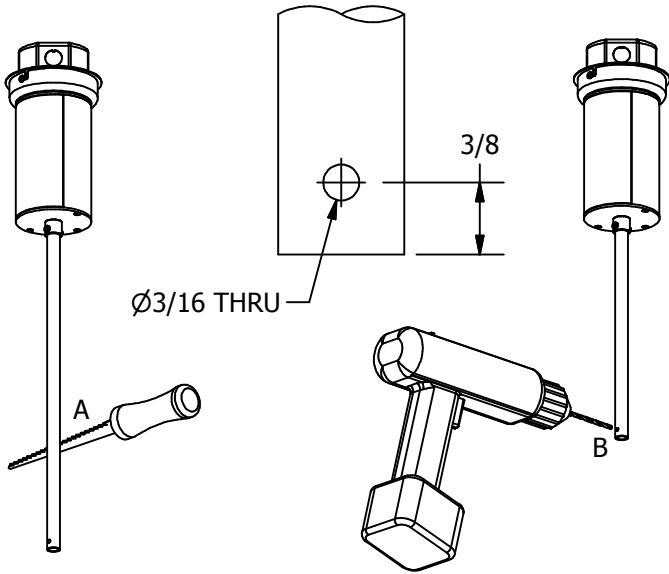
**C** PLACE COLLAR INSIDE REFRACTOR AND REVERSE STEPS B & A, ENSURING SCREWS ARE TIGHT AND REFRACTOR IS SECURE

ENSURE SCREWS ARE FULLY SEATED IN COLLAR KEY SLOTS

**WARNING - RISK OF FIRE AND ELECTRICAL SHOCK. FIXTURE MUST BE INSTALLED BY A QUALIFIED ELECTRICIAN ONLY. FIXTURE IS INTENDED FOR INSTALLATION IN ACCORDANCE WITH THE NATIONAL ELECTRICAL CODE, LOCAL AND FEDERAL SPECIFICATIONS. DISCONNECT POWER AT ELECTRICAL PANEL BEFORE SERVICING.**

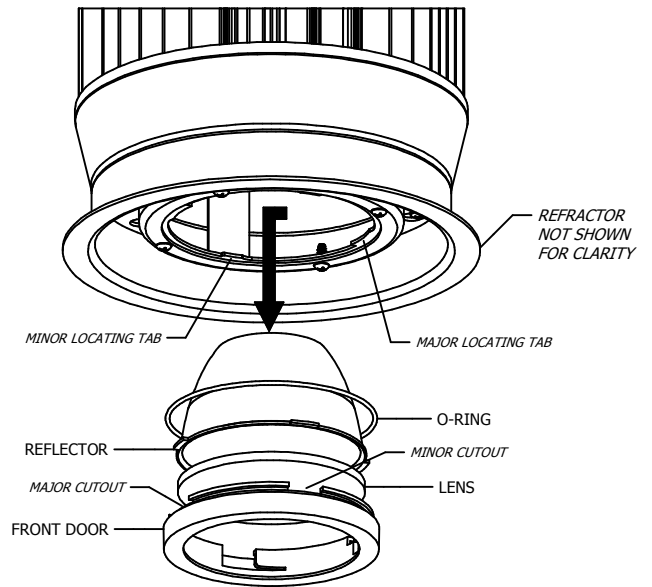
**RETAIN THESE INSTRUCTIONS FOR MAINTENANCE REFERENCE.**

HEIGHT ADJUSTMENT



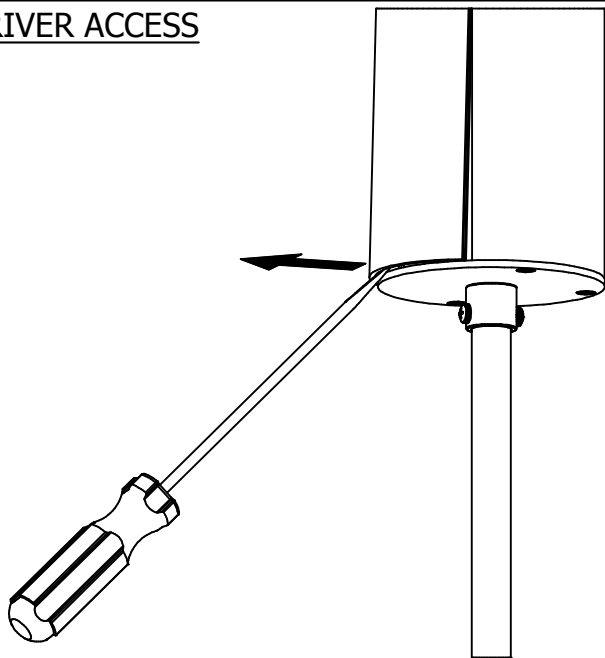
REVERSE INSTALLATION STEPS 6 & 5. CUT STEM TO DESIRED LENGTH AND DRILL A  $\varnothing 3/16$  HOLE THRU STEM  $3/8$ " FROM BOTTOM. REPEAT STEPS 5 & 6

BEAM SPREAD



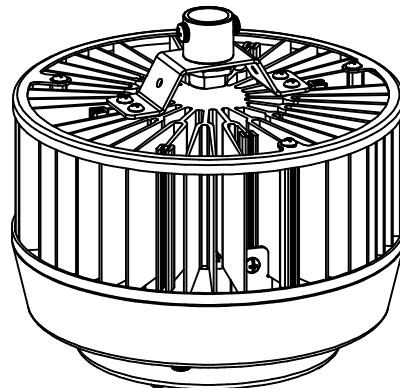
TURN FRONT DOOR COUNTER-CLOCKWISE FROM BOTTOM TO UNLOCK AND REMOVE FRONT DOOR ASSEMBLY. TO RE-INSTALL, LOCATE FRONT DOOR CUTOUTS TO LOCATING TABS AND TWIST INTO PLACE

DRIVER ACCESS



WEDGE A FLAT HEAD SCREW DRIVER BETWEEN DRIVER HOUSING DOOR AND BOTTOM END PLATE TO PRY DOOR OPEN

LED



REVERSE INSTALLATION STEPS 6 & 5 TO ISOLATE MODULE. REMOVE BEAM SPREAD ASSEMBLY. CONTACT AMERLUX FOR REPAIR OR REPLACEMENT