



INSTRUCTION SHEET

INSTRUCTION SHEET, CYNCH ACCENT AND PENDANT OPTICAL HEAD INSTALLATION AND REMOVAL

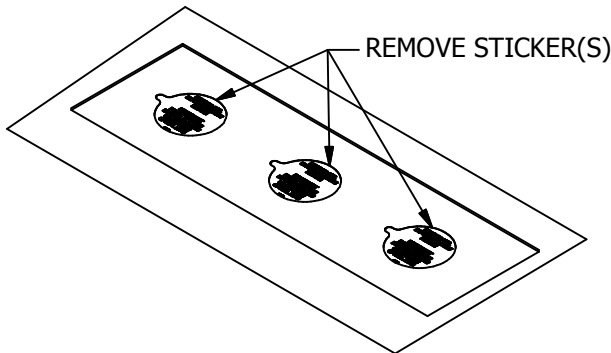
689-0628

PAGE 1 OF 1

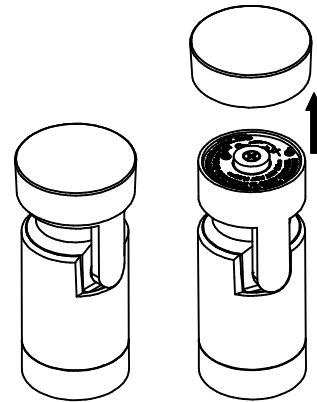
WARNING - RISK OF FIRE AND ELECTRICAL SHOCK. FIXTURE MUST BE INSTALLED BY A QUALIFIED ELECTRICIAN ONLY. FIXTURE IS INTENDED FOR INSTALLATION IN ACCORDANCE WITH THE NATIONAL ELECTRICAL CODE, LOCAL AND FEDERAL SPECIFICATIONS. DISCONNECT POWER AT ELECTRICAL PANEL BEFORE SERVICING. RETAIN THESE INSTRUCTIONS FOR MAINTENANCE REFERENCE.

1. ALWAYS DISCONNECT POWER FROM FIXTURE WHEN REMOVING OR INSTALLING OPTICAL HEADS

2. REMOVE WARNING LABEL STICKER IF PRESENT



3. REMOVE CAP FROM HEAD BY PULLING UP

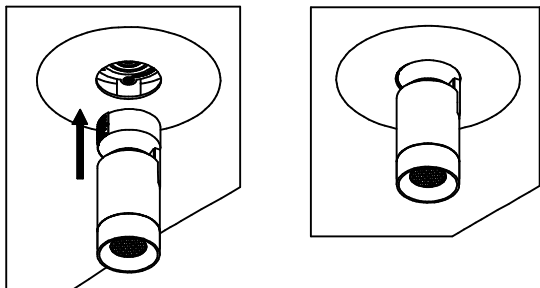


3a

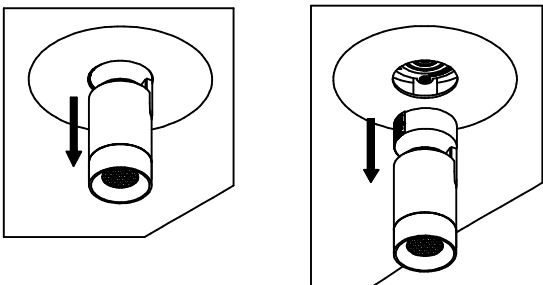
3b

4a. ACCENT INSTALLATION AND REMOVAL

- PLACE YOKE INSIDE OF RECEIVER PLATE
- MAGNETIC CONNECTION WILL PULL ACCENT OPTICAL HEAD INTO PLACE

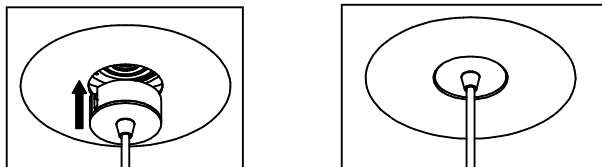


- TO REMOVE ACCENT, PULL ACCENT AWAY FROM RECEIVER PLATE



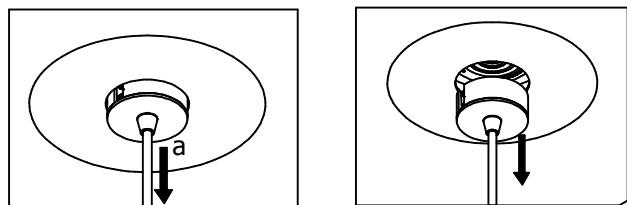
4b. PENDANT INSTALLATION AND REMOVAL

- PLACE CANOPY INSIDE OF RECEIVER PLATE
- MAGNETIC CONNECTION WILL PULL CANOPY INTO PLACE



TO REMOVE PENDANT

- a. PULL DOWN ON CORD NEAR CANOPY
- b. PENDANT CANOPY TO PULL AWAY FROM RECEIVER PLATE



Amerlux, 178 Bauer Drive, Oakland, N.J. 07436, T: 973-882-5010, F: 973-882-2604 www.amerlux.com