

INSTRUCTION SHEET



INSTRUCTION SHEET, CYNCH ROUND/SQUARE FLUSH MOUNT SINGLE LIGHT MULTIPLE

689-0637

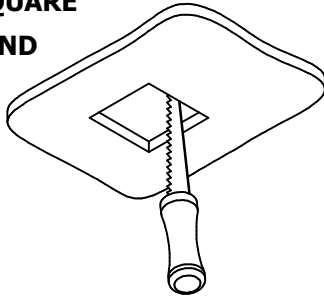
PAGE 1 OF 2

WARNING - RISK OF FIRE AND ELECTRICAL SHOCK. FIXTURE MUST BE INSTALLED BY A QUALIFIED ELECTRICIAN ONLY. FIXTURE IS INTENDED FOR INSTALLATION IN ACCORDANCE WITH THE NATIONAL ELECTRICAL CODE, LOCAL AND FEDERAL SPECIFICATIONS. DISCONNECT POWER AT ELECTRICAL PANEL BEFORE SERVICING. RETAIN THESE INSTRUCTIONS FOR MAINTENANCE REFERENCE.

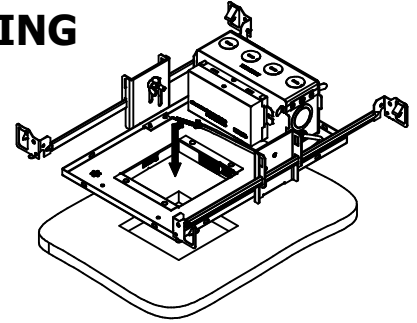
1. CUT CEILING OPENING

SQUARE: 4"X4" SQUARE

ROUND: 4" Ø ROUND



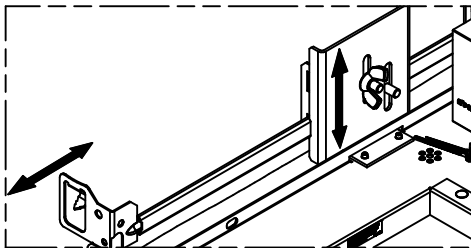
2. LOCATE FRAME ONTO CEILING OPENING



3. ADJUST FRAME

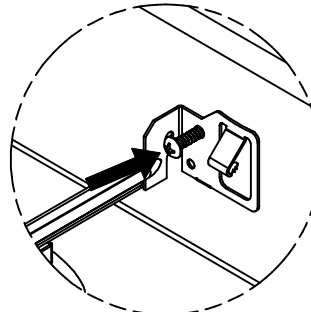
VERTICAL ADJUSTMENT: LOOSEN WING NUT, ADJUST HEIGHT OF HANGER BARS, THEN TIGHTEN NUT.

HORIZONTAL ADJUSTMENT: SPREAD HANGER BARS (MIN 14.5", MAX 26")

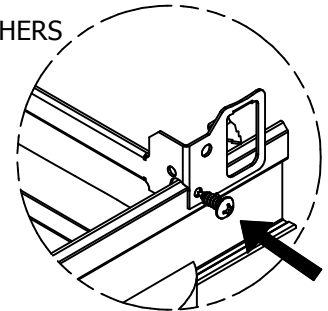


4. SECURE FRAME TO STRUCTURE

NOTE: HARDWARE SUPPLIED BY OTHERS

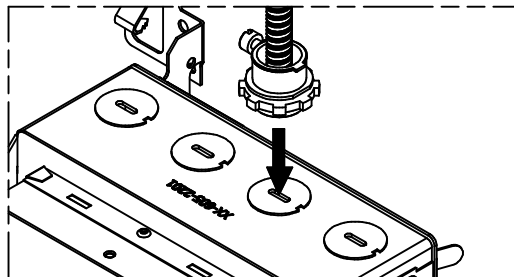


WOOD STUD



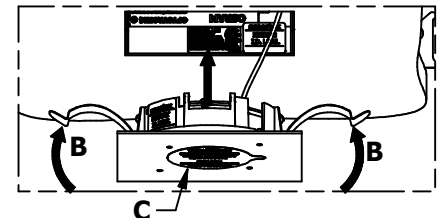
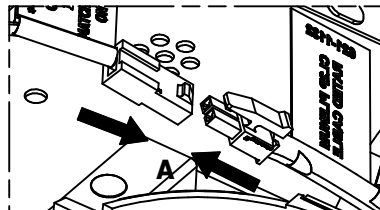
T GRID

5. MAKE ELECTRICAL CONNECTION



6. INSTALL TRIM

A. CONNECT QUICK-CONNECT HARNESSES. **DO NOT USE HARNESS AS HANGING DEVICE!**
B. FULLY COMPRESS TORSION SPRINGS AND LIFT TRIM UP INTO PLACE
C. REMOVE WARNING LABEL ONLY WHEN READY TO ATTACH OPTICAL HEAD



Amerlux, 178 Bauer Drive, Oakland, N.J. 07436, T: 973-882-5010, F: 973-882-2604 www.amerlux.com

**WARNING - RISK OF FIRE AND ELECTRICAL SHOCK. FIXTURE MUST BE INSTALLED BY A QUALIFIED ELECTRICIAN ONLY. FIXTURE IS INTENDED FOR INSTALLATION IN ACCORDANCE WITH THE NATIONAL ELECTRICAL CODE, LOCAL AND FEDERAL SPECIFICATIONS. DISCONNECT POWER AT ELECTRICAL PANEL BEFORE SERVICING.
RETAIN THESE INSTRUCTIONS FOR MAINTENANCE REFERENCE.**

1. DISCONNECT POWER TO FIXTURE BEFORE SERVICING

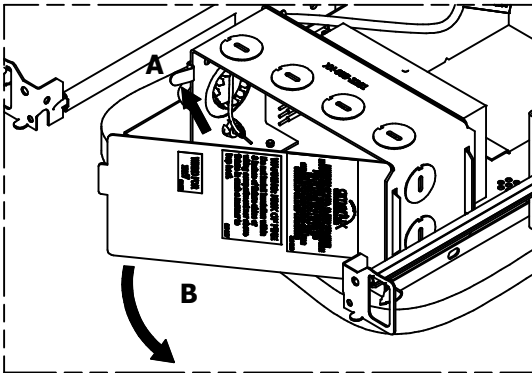
2. REMOVE TRIM

FOLLOW PG.1 STEP 6 IN REVERSE

- A. PULL TRIM TO RELEASE TRIM FROM FRAME
- B. DISCONNECT QUICK-CONNECT HARNESSSES

3. JUNCTION BOX REAR ACCESS

- A. PUSH UP ON SPRING CLIP TO RELEASE JUNCTION BOX ACCESS COVER
- B. SWING ACCESS COVER AWAY FROM JUNCTION BOX



4. DRIVER REMOVAL AND MAINTENANCE ACCESS

- A. PUSH UP ON SPRING CLIP TO RELEASE DRIVER PLATE COVER
- B. SWING DRIVER PLATE COVER AWAY FROM JUNCTION BOX

