

INSTRUCTION SHEET



HIGH BAY 202 (60W) MOUNTING INSTALLATIONS

689-0718

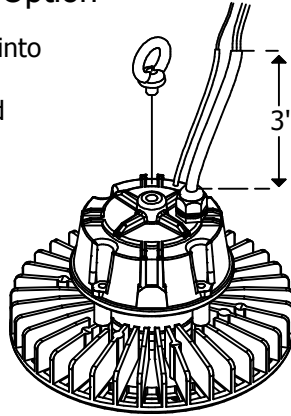
PAGE 1 OF 2

WARNING - RISK OF FIRE AND ELECTRICAL SHOCK. FIXTURE MUST BE INSTALLED BY A QUALIFIED ELECTRICIAN ONLY. FIXTURE IS INTENDED FOR INSTALLATION IN ACCORDANCE WITH THE NATIONAL ELECTRICAL CODE, LOCAL AND FEDERAL SPECIFICATIONS. DISCONNECT POWER AT ELECTRICAL PANEL BEFORE SERVICING.

RETAIN THESE INSTRUCTIONS FOR MAINTENANCE REFERENCE.

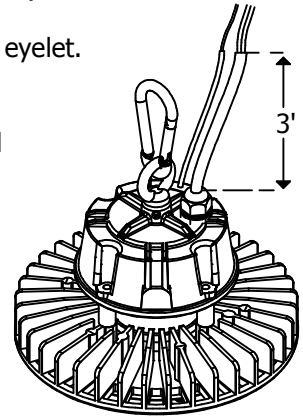
Eyelet Option

- a. Supplied eyelet will thread into the upper housing.
- b. Suspension and power feed completed by others.



Buckle Option

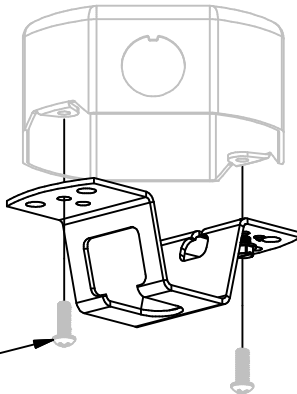
- a. Buckle suspension requires eyelet.
- b. Eyelet will thread into the upper housing.
- c. Suspension and power feed completed by others.



Stem Option

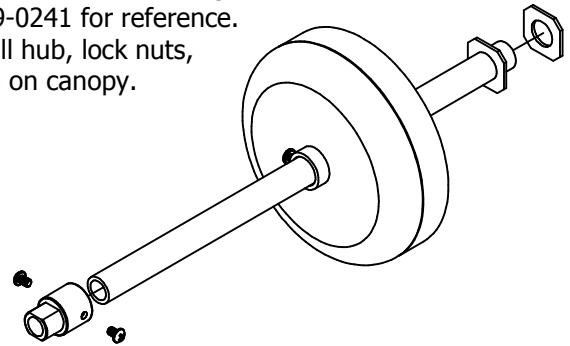
1. Install Cross-bar

- a. Mount cross-bar to 4" octagonal junction box (by others).



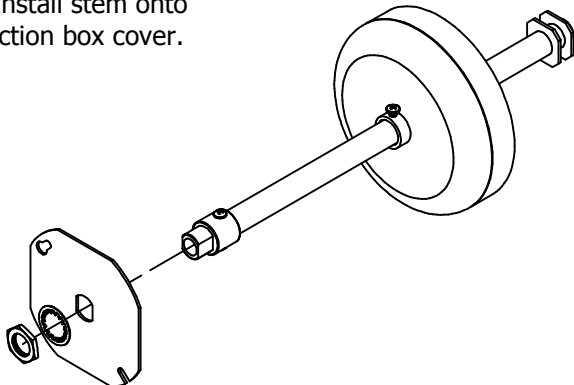
2. Prepare Stem

- a. Cut stem to desired length. Use 689-0241 for reference.
- b. Install hub, lock nuts, and slip on canopy.



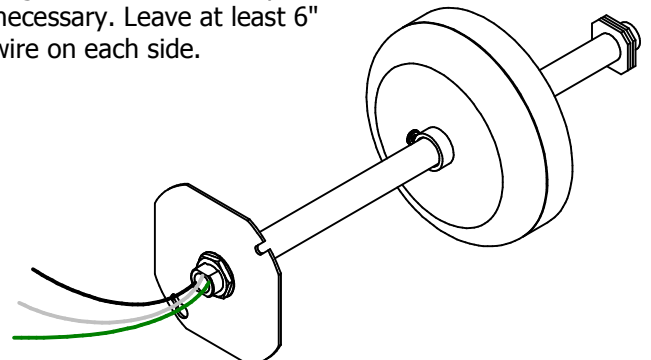
3. Install Stem

- a. Install stem onto junction box cover.



4. Feed Wires

- a. Feed wires (supplied by others) through stem. Cut and strip wires as necessary. Leave at least 6" of wire on each side.



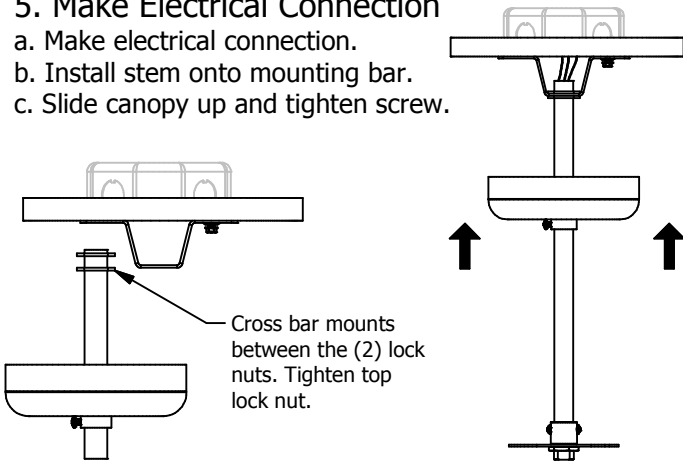
Amerlux, 178 Bauer Drive, Oakland, N.J. 07436, T: 973-882-5010, F: 973-882-2604 www.amerlux.com

WARNING - RISK OF FIRE AND ELECTRICAL SHOCK. FIXTURE MUST BE INSTALLED BY A QUALIFIED ELECTRICIAN ONLY. FIXTURE IS INTENDED FOR INSTALLATION IN ACCORDANCE WITH THE NATIONAL ELECTRICAL CODE, LOCAL AND FEDERAL SPECIFICATIONS. DISCONNECT POWER AT ELECTRICAL PANEL BEFORE SERVICING.

RETAIN THESE INSTRUCTIONS FOR MAINTENANCE REFERENCE.

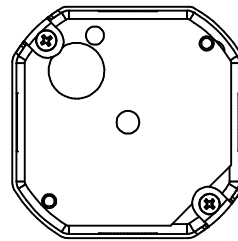
5. Make Electrical Connection

- a. Make electrical connection.
- b. Install stem onto mounting bar.
- c. Slide canopy up and tighten screw.

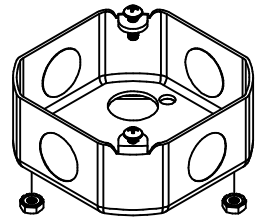


6. Install Mounting Plate

- a. Position mounting plate as shown in View A.
- b. Install nuts as shown in View B.



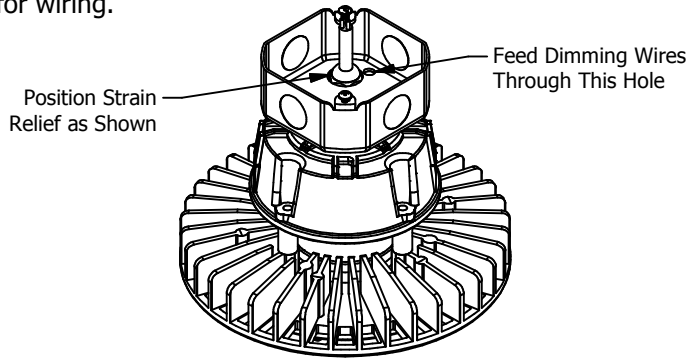
View A



View B

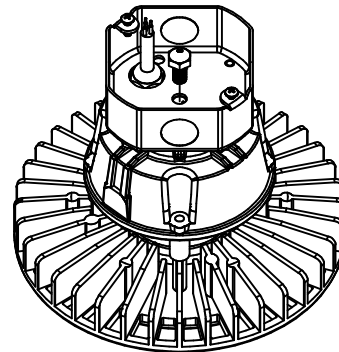
7. Feed Wires

- a. Feed wires through cutouts in plate.
- b. Cut and strip wires as necessary. Leave at least 6" for wiring.



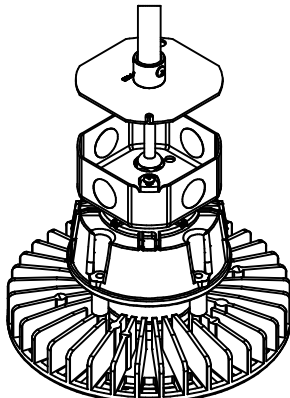
8. Mount Junction Box

- a. Use provided bolt to mount junction box.



9. Make Electrical Connection

- a. Make the final connection inside of the junction box.



10. Install Top Cover

- a. Install top cover by rotating and tightening screws.

