



**AMERLUX**<sup>®</sup>  
LIGHTING SOLUTIONS

ADAPT. ABILITY.™

INSTALLATION INSTRUCTIONS  
SHEET #: 689-0737

SPEC. SHEET  
REFERENCE:  
QLK-MF110

**QLK-MF110**

QLP1.5P Male Plug, 1 Circuit Feed Kit

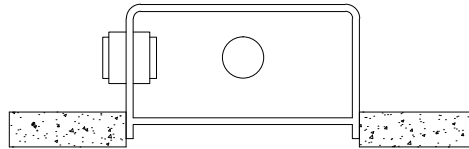
**WARNING - RISK OF FIRE AND ELECTRICAL SHOCK. FIXTURE MUST BE INSTALLED BY A QUALIFIED ELECTRICIAN ONLY. FIXTURE IS INTENDED FOR INSTALLATION IN ACCORDANCE WITH THE NATIONAL ELECTRICAL CODE, LOCAL AND FEDERAL SPECIFICATIONS. DISCONNECT POWER AT ELECTRICAL PANEL BEFORE SERVICING .**

FOR RUNS WIRED FOR EM - UNIT HAS MORE THAN ONE POWER SUPPLY CONNECTION POINT. TO REDUCE THE RISK OF ELECTRIC SHOCK, DISCONNECT BOTH THE BRANCH CIRCUIT-BREAKERS OR FUSES AND EMERGENCY/BACKUP POWER SUPPLIES BEFORE SERVICING

RETAIN THESE INSTRUCTIONS FOR MAINTENANCE REFERENCE.

**Pre-installation Note:**

Supplied by others: - 4" octagonal junction boxes W/ 2pc #8 Screws for mounting Crossbar



**Install junction box** - The junction box should be placed as shown to make sure that the canopy cover sits flush with the ceiling when install is finished.

**Refer to Spec Sheet** for proper location of mounting points/ locations for junction boxes.

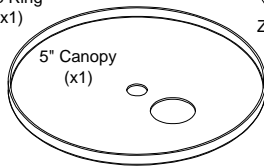
**QLK-MF110 Contents**



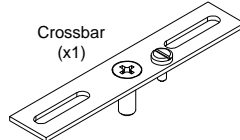
Coupler w/  
Slip Ring  
(x1)



Zip Ties  
(x7)



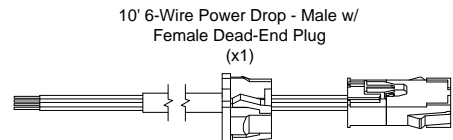
5" Canopy  
(x1)



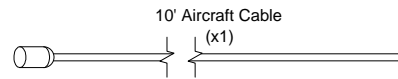
Crossbar  
(x1)



7/8" Strain  
Relief  
(x1)

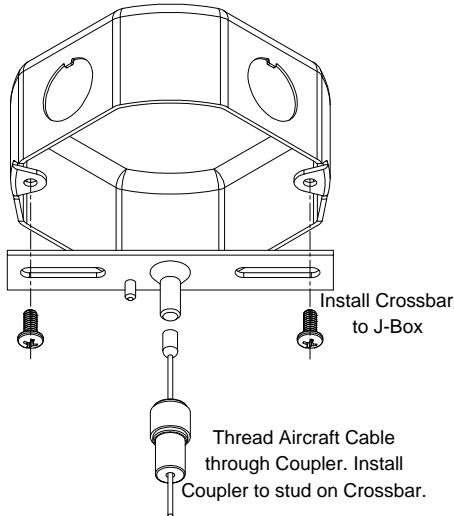


10' 6-Wire Power Drop - Male w/  
Female Dead-End Plug  
(x1)



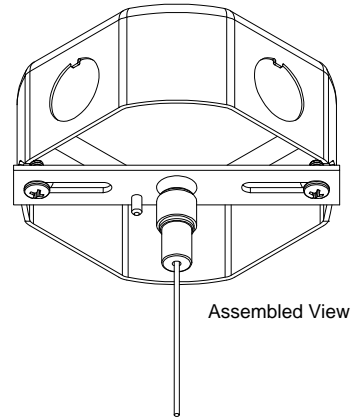
10' Aircraft Cable  
(x1)

**Prep J-Box @ Ceiling**



Install Crossbar  
to J-Box

Thread Aircraft Cable  
through Coupler. Install  
Coupler to stud on Crossbar.

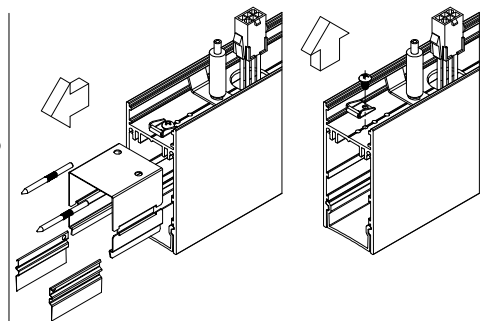
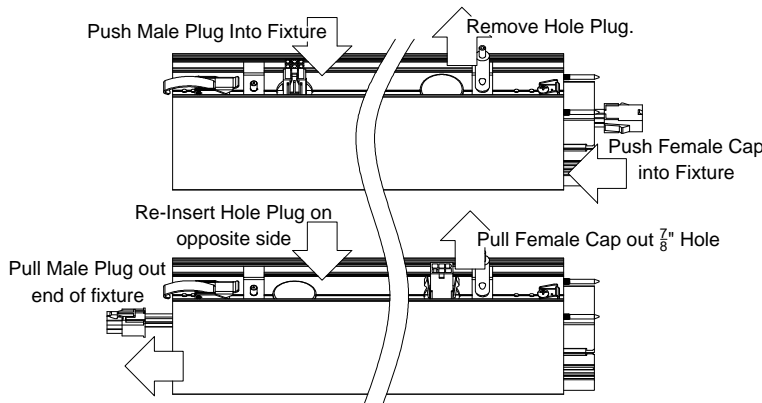


Assembled View

Amerlux, LLC. - 178 Bauer Drive, Oakland NJ 07436 - T: 973-882-5010 - F: 973-882-2605  
www.amerlux.com



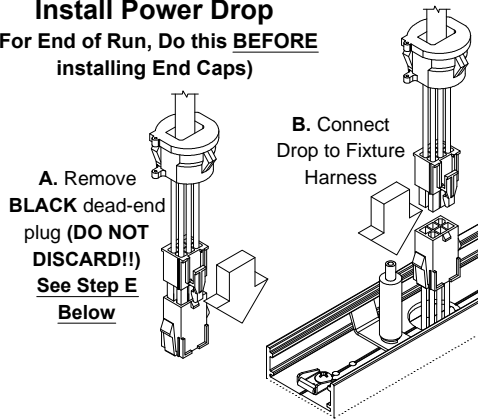
## Feeding at Middle / End of a Run (MoR / EoR)



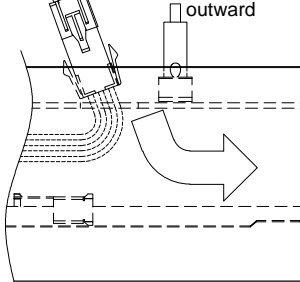
**For QuickLine End Of Run Only**  
Remove Light Leak Shields & Catch. Detailed Instructions in kit QLP1-EC

### Install Power Drop

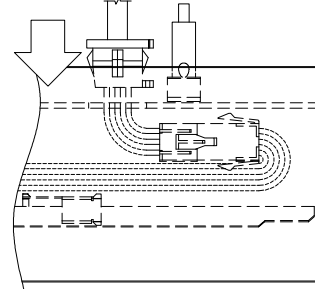
(For End of Run, Do this **BEFORE** installing End Caps)



**C. Feed Harness in at angle as shown. From open end, grab and pull harness outward**



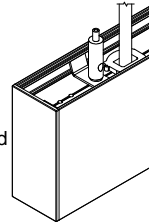
**D. Insert Strain Relief and snap into provided hole**



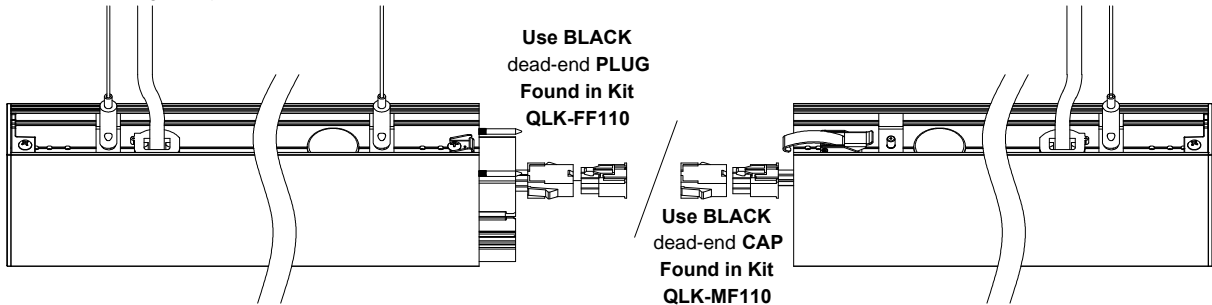
**\*Failure to install feed at an angle as shown will result in LED reflector becoming disengaged.\***

### QuickLine Only

On End of Run, End Cap can be installed after Feed Cord is installed (See Instructions in kit QLP1-EC)

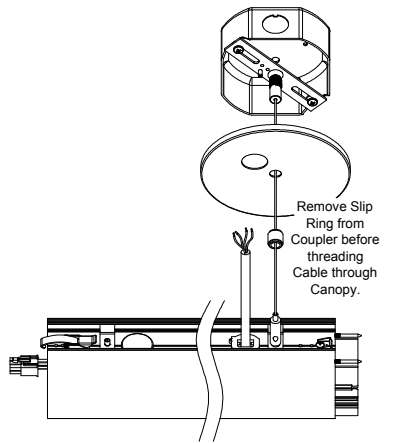


**E. Dead-End power harnesses at appropriate fixture breaks using provided BLACK Plugs / Caps**



**DO NOT FEED A CONTINUOUS RUN IN (2) OR MORE LOCATIONS.  
CONTINUOUS RUN POWER MUST BE BROKEN VIA DEAD-END CAPS/PLUGS**

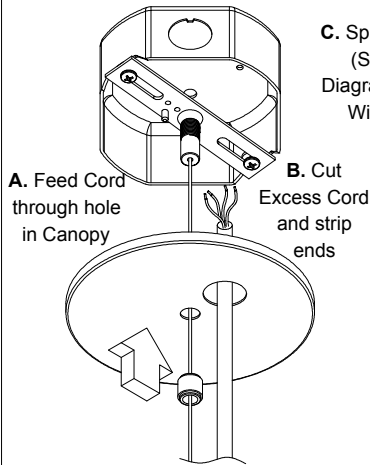
## Connecting Fixture/Run to Power @ J-Box



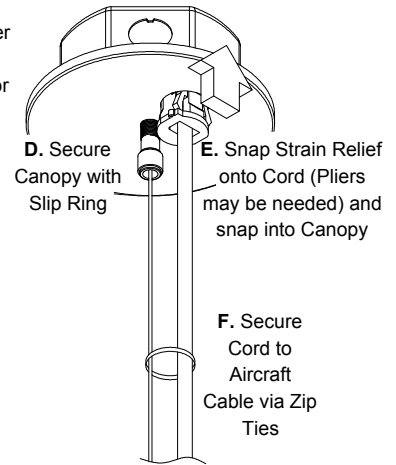
### Hang Fixture Section

See Detailed Instructions packed with Fixture

### Connect Power at J-Box



C. Splice to Power  
(See Wiring Diagram below for Wire Colors)



## Wiring Schematic

### Wire Colors

Black - Switched Hot	Gray - Dim (-)
White - Neutral	Purple - Dim (+)
Green - Ground	Orange (Red) - EM Unswitched Hot
	Optional - Cap if Unused

### Dimmer: 0-10V

(By Others)

