



AMERLUX[®]
LIGHTING SOLUTIONS

ADAPT. ABILITY.™

INSTALLATION INSTRUCTIONS
SHEET #: 689-0745

SPEC. SHEET
REFERENCE:
QLK-SC10

QLK-SC10

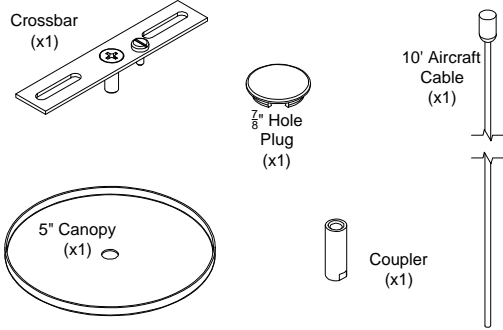
QLP Non-Feed Kit Installation

WARNING - RISK OF FIRE AND ELECTRICAL SHOCK. FIXTURE MUST BE INSTALLED BY A QUALIFIED ELECTRICIAN ONLY. FIXTURE IS INTENDED FOR INSTALLATION IN ACCORDANCE WITH THE NATIONAL ELECTRICAL CODE, LOCAL AND FEDERAL SPECIFICATIONS. DISCONNECT POWER AT ELECTRICAL PANEL BEFORE SERVICING. RETAIN THESE INSTRUCTIONS FOR MAINTENANCE REFERENCE.

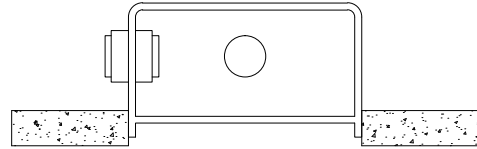
Pre-installation Note:

Supplied by others: - 4" octagonal junction boxes W/ 2pc #8 Screws for mounting Crossbar

QLP-SC10 Contents



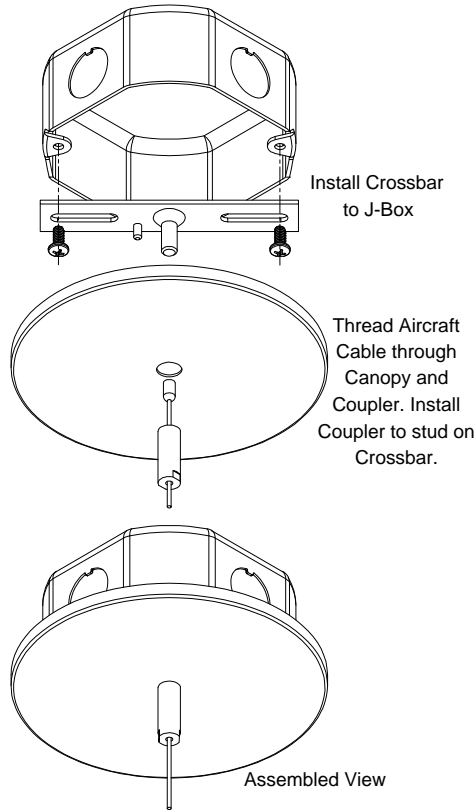
Install Junction Boxes



The junction box should be placed as shown to make sure that the canopy cover sits flush with the ceiling when install is finished.

Refer to Spec Sheet or Shop Drawing for proper location of mounting points/ locations for junction boxes.

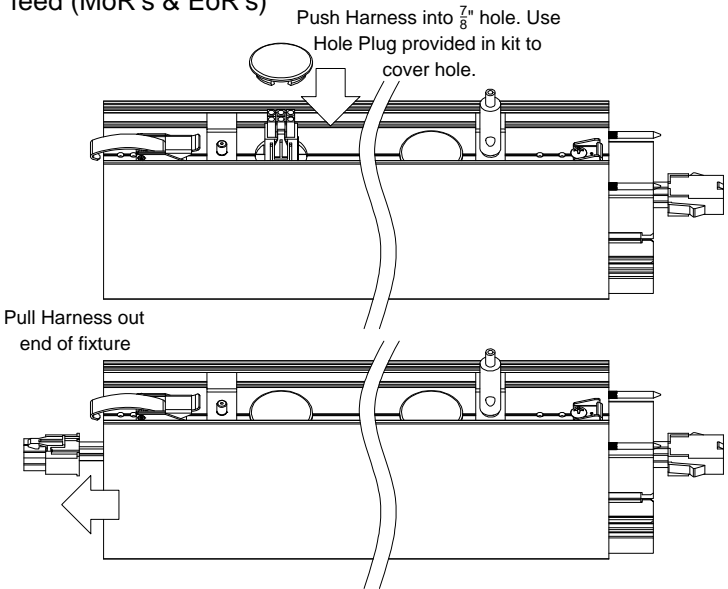
Prep J-Box at Ceiling



Plug Unused Feed Hole

(For QuikLine Product Only)

Only applicable on fixtures with no power feed (MoR's & EoR's)



For fixture hanging instructions please see Instruction Sheet packed with fixture