

# INSTRUCTION SHEET



## RK350 ROUND/SQUARE REMOTE CANOPY/CORD MOUNT (2" DEEP CANOPY)

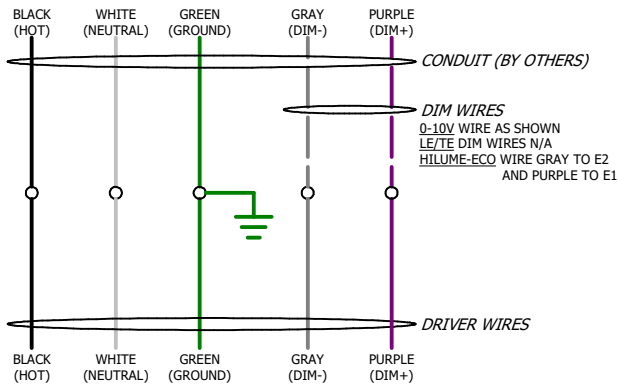
689-0771

PAGE 1 OF 1

**WARNING - RISK OF FIRE AND ELECTRICAL SHOCK. FIXTURE MUST BE INSTALLED BY A QUALIFIED ELECTRICIAN ONLY. FIXTURE IS INTENDED FOR INSTALLATION IN ACCORDANCE WITH THE NATIONAL ELECTRICAL CODE, LOCAL AND FEDERAL SPECIFICATIONS. DISCONNECT POWER AT ELECTRICAL PANEL BEFORE SERVICING.**

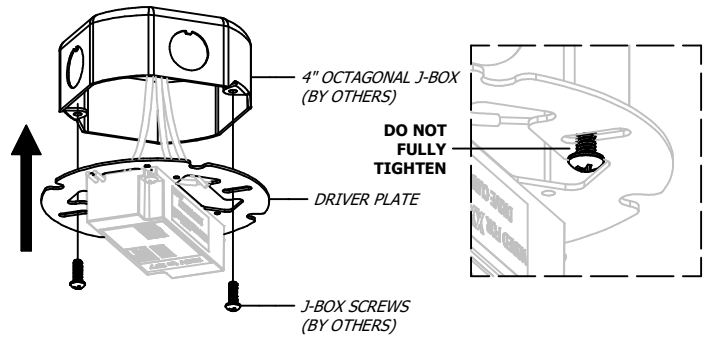
**RETAIN THESE INSTRUCTIONS FOR MAINTENANCE REFERENCE.**

### 1 WIRE DRIVER



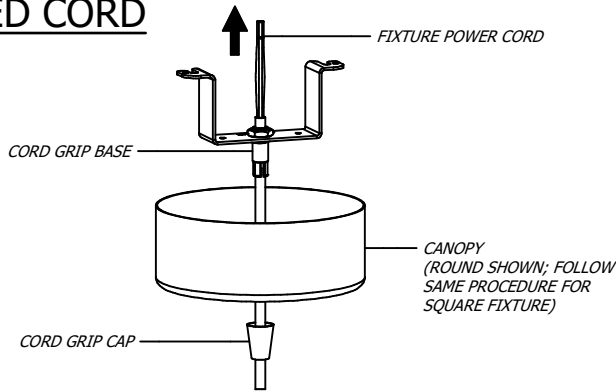
WIRE ACCORDING TO LOCAL AND NATIONAL CODE

### 2 MOUNT DRIVER PLATE



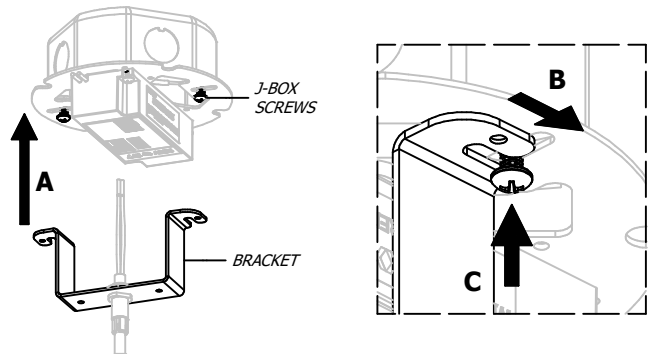
MOUNT DRIVER PLATE TO J-BOX WITH SCREWS (BY OTHERS). DO NOT FULLY TIGHTEN SCREWS

### 3 FEED CORD



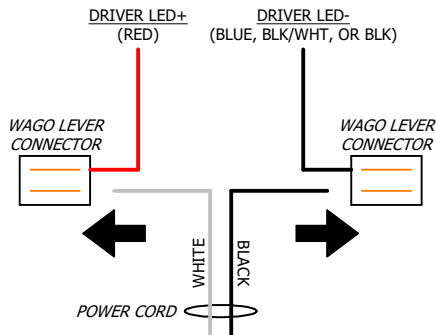
FEED FIXTURE POWER CORD THROUGH CORD GRIP CAP, THEN CANOPY, THEN CORD GRIP BASE

### 4 MOUNT BRACKET



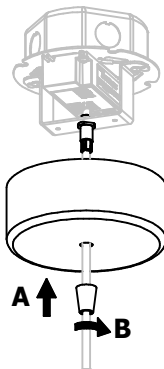
ATTACH BRACKET TO J-BOX SCREWS, THEN TIGHTEN SCREWS

### 5 WIRE LED



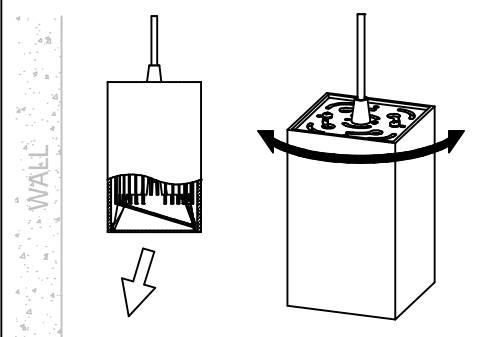
WIRE DRIVER LED +/- WIRES TO POWER CORD WIRES WITH WAGOS

### 6 ATTACH CANOPY



RAISE CORD GRIP CAP AND THREAD ONTO CORD GRIP BASE

### 7 ALIGN HOUSING\*



IF FIXTURE HAS WALL WASH TRIM AND/OR SQUARE HOUSING, ALIGN HOUSING BY HOLDING CORD THEN ROTATING HOUSING

Amerlux, 178 Bauer Drive, Oakland, N.J. 07436, T: 973-882-5010, F: 973-882-2604 [www.amerlux.com](http://www.amerlux.com)