

BR04

Crossarm

PROJECT:

TYPE:

Description

The BR04 Series cross arms feature a strong yet lightweight aluminum design for ease of installation. The series can accommodate a wide variety of fixtures. It is designed to be used on a pole with a min. 4" OD shaft.

Construction

Crossarms are shipped as a one piece unit as shown. Crossarms are constructed from ASTM 319 aluminum. Exterior hardware is stainless steel and tamper resistant.

Installation

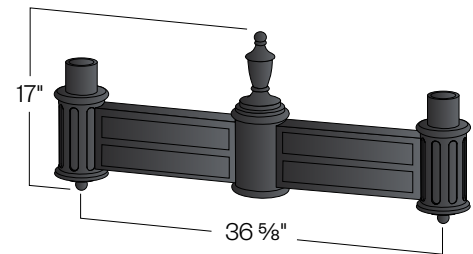
Crossarms will slip fit a 3" OD post top tenon and attach with two rows of 5/16" dia. stainless steel set screws. Crossarms and wall brackets are equipped with 3" O.D. tenons for luminaire mounting.

The wall bracket is constructed of corrosion resistant cast aluminum (A319 Alloy). It has a nominal 3" OD tenon for luminaire mounting, and four holes in the back plate for mounting to the wall. (Wall mounting hardware is not included, due to the wide variety of backing materials. Customer should determine the appropriate anchoring hardware based on the wall material.)

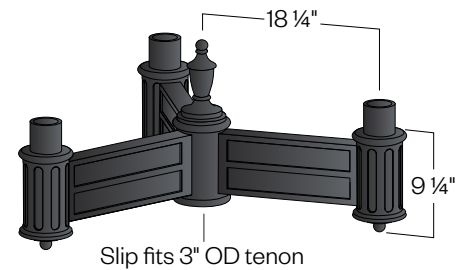
Finish

The bracket will be finished with a premium quality thermoset polyester powdercoat for a durable finish.

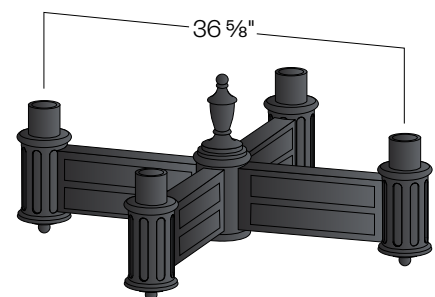
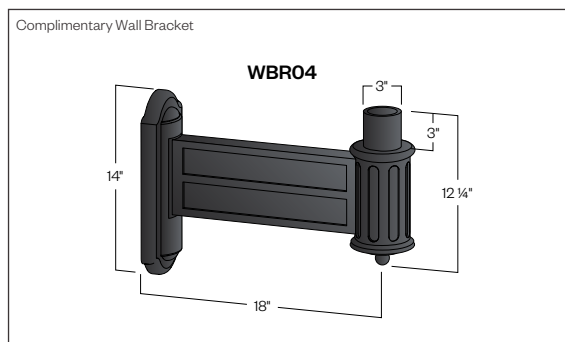
- BLK** - Satin Black
- CLB** - Classic Bronze
- GBZ** - Gloss Textured Bronze
- GRN** - Green
- GTB** - Gloss Textured Black
- TBK** - Textured Black
- TGR** - Gloss Textured Green



2BR04



3BR04



4BR04

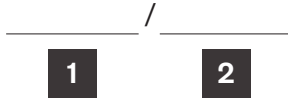
BR04

Crossarm



PROJECT:

TYPE:



- 1** Model
2BR04
3BR04
4BR04
WBR04

- 2** Finish
BLK - Satin Black
CLB - Classic Bronze
GBZ - Gloss Textured Bronze
GRN - Green
GTB - Gloss Textured Black
TBK - Textured Black
TGR - Gloss Textured Green
CSTM - Custom