

ADP-381 Series

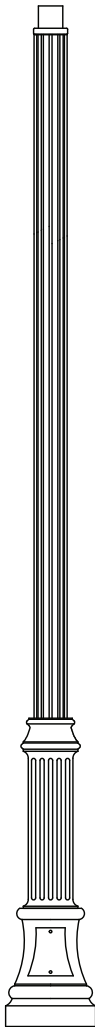


4" O.D. Fluted
0.125 wall

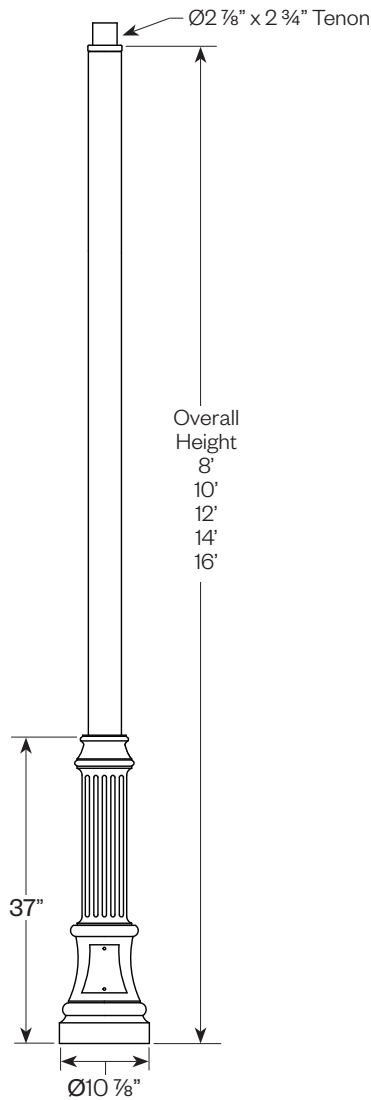


4" O.D. Smooth
0.125 wall

Fluted Shaft



Smooth Shaft



Specifications & Features:

- 4" shafts - 8' to 16' standard heights
- Straight, smooth or fluted poles

Shaft

- 4" OD fluted (12 flutes), 0.125 wall
- 4" OD smooth round, 0.125 wall

Extruded shaft is circumferentially welded to the base

Access door for anchor bolts and wiring is secured with stainless steel screws

Ground lug provided inside base

Materials:

Base - Cast aluminum (356-T6)

Shaft - Extruded Aluminum (6065-T5)

Anchor Bolts - Hot dipped galvanized steel, ordered separately

Finish:

Premium quality thermoset polyester powder coat for a durable finish.



Amerlux reserves the right to change details that do not affect overall function and performance.

ADP-381 Series

Pole Ordering Information

1	2	3	4	5	6
1 <u>Model</u> ADP-381				5 <u>Finish</u> BLK - satin black CLB - classic bronze GBZ - gloss textured bronze GRN - green GTB - gloss textured black TBK - textured black TGR - gloss textured green CSTM - custom, consult factory	
2 <u>Diameter</u> 4 - 4"					
3 <u>Pole Height</u> 08 - 8' 10 - 10' 12 - 12' 14 - 14' 16 - 16'					
4 <u>Pole Type</u> S - smooth F - fluted				6 <u>Options/Accessories</u> GFCI-TOP - ground fault circuit protected outlet, placed 6" from the top of pole GFCI-BTM - ground fault circuit protected outlet, placed 6" above the decorative base at the bottom of the pole LT - less tenon DB - direct burial extension	

Anchor Bolt Ordering Information (Ordered separately, can be pre-shipped upon request)

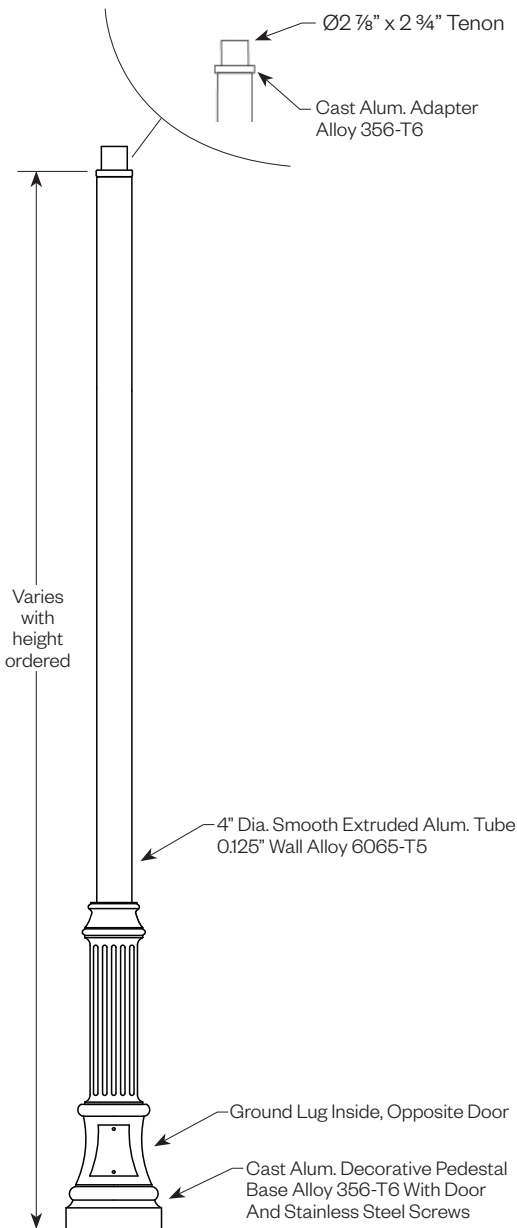
1
1 <u>Model</u> 555-0018 - 3/4" x 17" anchor bolts

Accessory Ordering Information (Ordered separately)

1
1 <u>Model</u> (all accessories below are for non-tapered shafts only) BA18-FRC4 - 18" banner arm, 4" OD shaft BA18-FRC5 - 18" banner arm, 5" OD shaft BA24-FRC4 - 24" banner arm, 4" OD shaft BA24-FRC5 - 24" banner arm, 5" OD shaft 2BA18-FRC4-180 - double sided 18" banner arms, 4" OD shaft 2BA18-FRC5-180 - double sided 18" banner arms, 5" OD shaft 2BA24-FRC4-180 - double sided 24" banner arms, 4" OD shaft 2BA24-FRC5-180 - double sided 24" banner arms, 5" OD shaft FPH-4 - flag pole holder for 4" non-tapered poles FPH-5 - flag pole holder for 5" non-tapered poles

Amerlux reserves the right to change details that do not affect overall function and performance.

ADP-381 Series



Finish

The post will be finished with an electrostatically applied thermoset polyester powder coat. Prior to finishing, the parts are thoroughly cleaned. Our powder coat finish is durable, long lasting, attractive and scratch resistant as well as environmentally friendly. We offer 7 stock finishes or hundreds of special order colors including custom matching for existing projects (additional charges apply).

- | | |
|------------------------------------|-----------------------------------|
| BLK - Satin Black | GTB - Gloss Textured Black |
| CLB - Classic Bronze | TBK - Textured Black |
| GBZ - Gloss Textured Bronze | TGR - Gloss Textured Green |
| GRN - Green | |

Accessories

Banner Arms

Single or double sided field rotatable banner arms.

BA18 (18") or **BA24** (24") banner arms

FRC4 (4"OD shaft) or **FRC5** (5"OD shaft)

Add a (2) for a double arm. Example: **2BA18-FRC4-180**

See ordering guide for configurations



FPH-4/FPH-5

Extruded aluminum holder for 1" OD flag poles.

Available for 4" OD or 5" OD non-tapered pole.

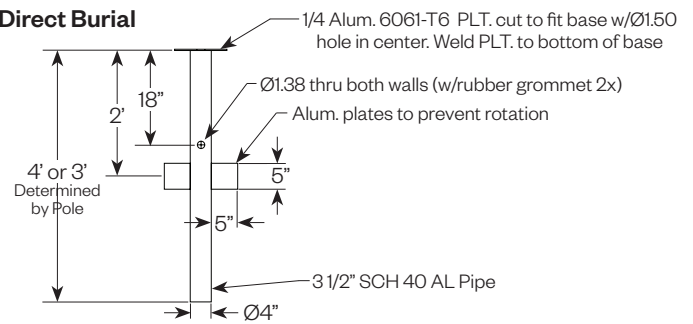


GFCI - Top/Bottom

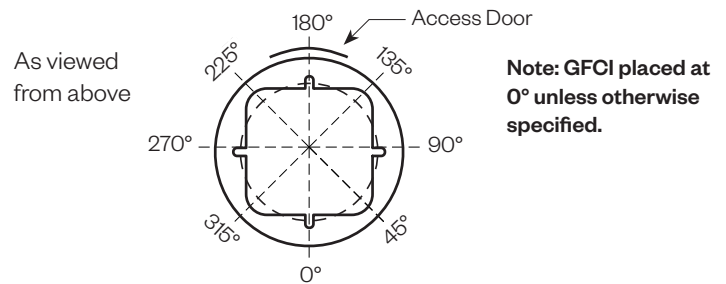
Covered ground fault circuit protected duplex outlet.

Can be placed near top of pole or above the decorative base at the bottom of the pole. Wet while in use rated.

Direct Burial

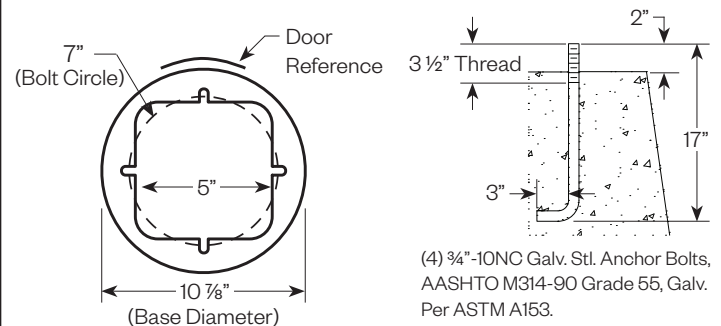


GFCI Orientation Guide



Note: Orientation of additional accessories must be specified when ordering.

Anchor Details



Anchor bolts and templates can be requested prior to product shipment.

Amerlux reserves the right to change details that do not affect overall function and performance.