

# AR18GL SERIES UTILITY LUMINAIRE

U.7.3.19

AR18GL  
HID UTILITY

## DESCRIPTION:

Lighting for exterior retail, commercial and hospitality environments. The AR18GL Series consists of a Type III(T3) or Type V(T5) refractive borosilicate glass acorn combined with one of several styles of cast aluminum fitters.

## INSTALLATION:

The luminaire will mount to a 3" OD post or tenon with 5/16" black oxide coated stainless steel set screws to ensure a solid connection. The diffuser will be held to the fitter by (4) 1/4-20" black oxide coated stainless steel captive set screws.

## ELECTRICAL:

- High power factor ballast (HPF), core and coil type, pre-wired and tested
- Easy ballast pod access
- 4KV pulse rated porcelain socket
- Suitable for wet location

**ETL listed, suitable for wet locations.**

## DIFFUSER:

- The fixture will have a high performance borosilicate glass refractive acorn.
- Specify Type III (T3) or Type V (T5) distribution.

## FINISH:

Durable thermoset polyester powdercoat finish in the following:

- Satin Black (**BLK**)
- Classic Bronze (**CLB**)
- Gloss Textured Bronze (**GBZ**)
- Green (**GRN**)
- Gloss Textured Black (**GTB**)
- Textured Black (**TBK**)
- Gloss Textured Green (**TGR**)

## ACCESSORIES:

- Cast finial (**CFIN**)
- 90 degree house-side shield (**HSS-90**)
- 180 degree house-side shield (**HSS-180**)
- Twist-lock photocell (**PCL-TW**)
- Solid roof (**SR**)



Standard



With SLL-FDR (T5 only)

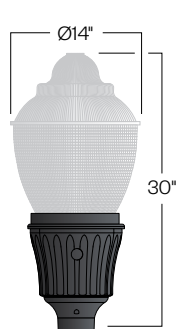


PROJECT:

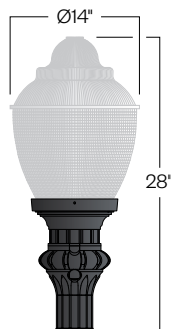
LOCATION:

FIXTURE TYPE:

NOTES:



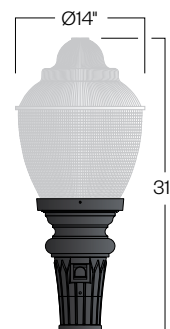
DUF1-AR18GL



DUF4-AR18GL



DUF34-AR18GL



DUF37-AR18GL



## Ordering Information



Add additional accessories as needed.

1

### Model

**DUF1-AR18GL**  
**DUF4-AR18GL**  
**DUF34-AR18GL**  
**DUF37-AR18GL**

2

### Diffuser Choices

**T3** - Type 3  
**T5** - Type 5

3

### Light Source

**70MH** - 70w Metal Halide  
**100MH** - 100w Metal Halide  
**150MH** - 150w Metal Halide  
**70HPS** - 70w High Pressure Sodium  
**100HPS** - 100w High Pressure Sodium  
**150HPS** - 150w High Pressure Sodium

4

### Voltage

**120v**  
**208v**  
**240v**  
**277v**

5

### Finish

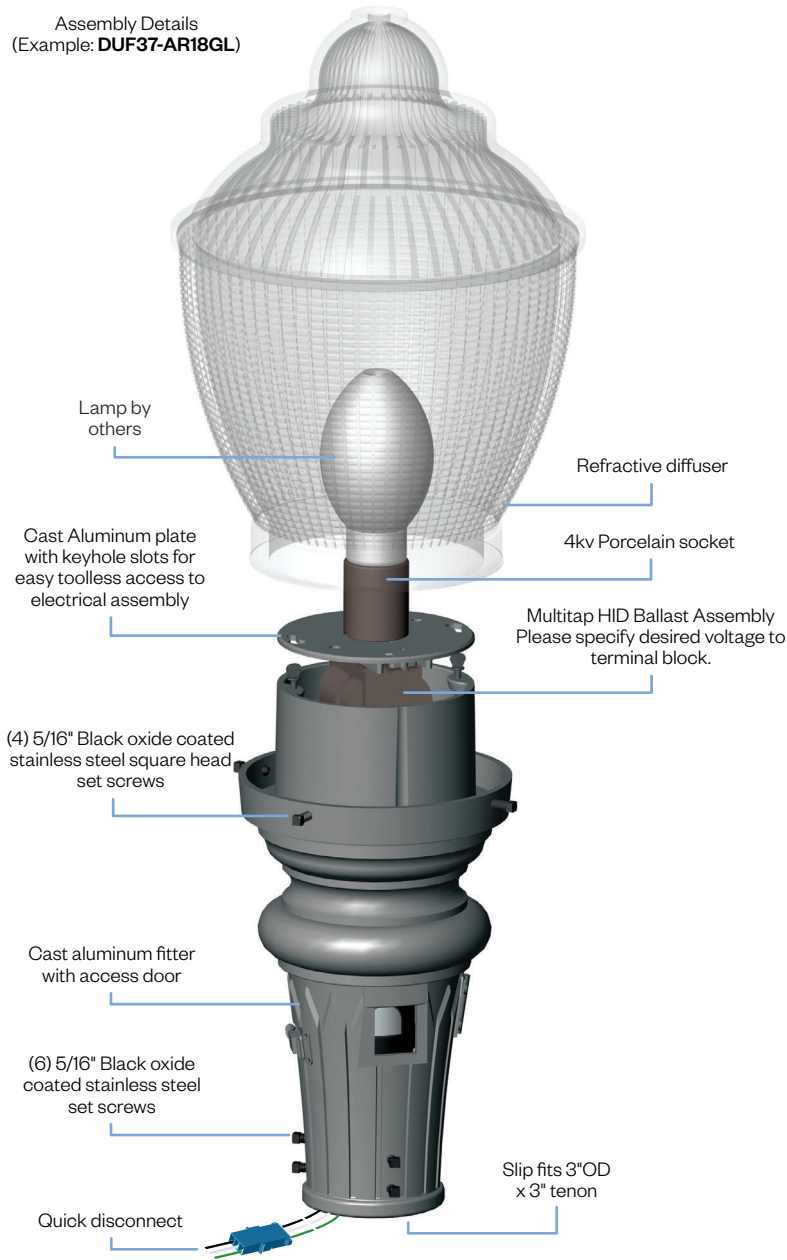
**BLK** - Satin Black  
**CLB** - Classic Bronze  
**GBZ** - Gloss Textured Bronze  
**GRN** - Green  
**GTB** - Gloss Textured Black  
**TBK** - Textured Black  
**TGR** - Gloss Textured Green  
**CSTM** - Custom

6

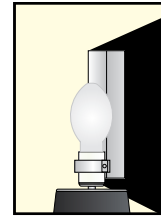
### Accessories

**CFIN** - Cast Aluminum Finial  
**FDR** - Faceted Downlight Reflector  
**HSS-90** - 90° House Side Shield  
**HSS-180** - 180° House Side Shield  
**TW-PCL** - Twistlock Photocell

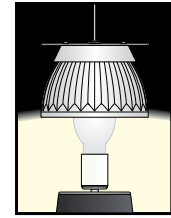
Assembly Details  
(Example: **DUF37-AR18GL**)



Options



**HSS90 & HSS180**  
House Side Shield  
for use with Optical  
Systems

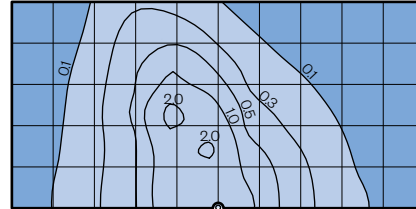


**FDR**  
Faceted  
Downlight  
Reflector

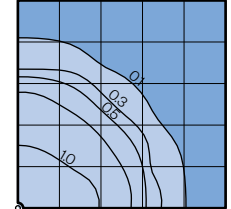
Photometry

AR18GL  
Typical HID light source  
14,000 Lumen  
12' Mounting Height  
Grid Spacing is 12'

Type III (T3)



Type V (T5)



Socket Types

Wattage	Socket Type
<b>70MH,100MH,150MH</b>	Medium
<b>70HPS,100HPS</b>	Medium
<b>150HPS</b>	Mogul

Accessories

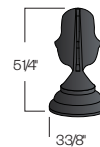


Shown with decorative ring and finial  
**(D138/AR18GL/R/FIN-08)**

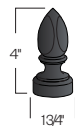


Shown with solid roof and finial  
**D138/AR18GL/SR/CFIN**

Finial Styles



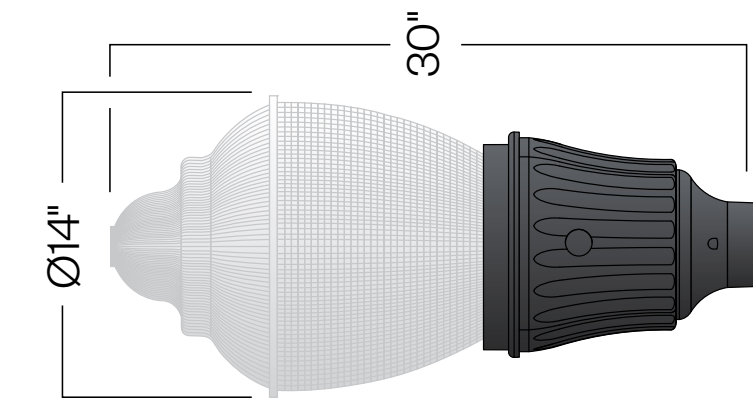
**CFIN**  
(Cast aluminum)



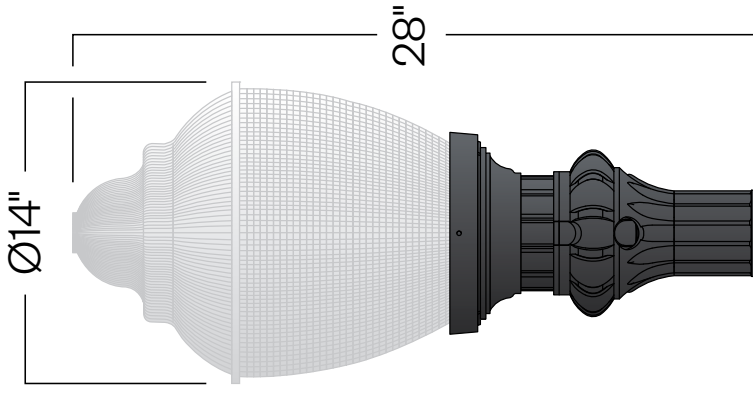
**FIN-08**  
Cast aluminum finial



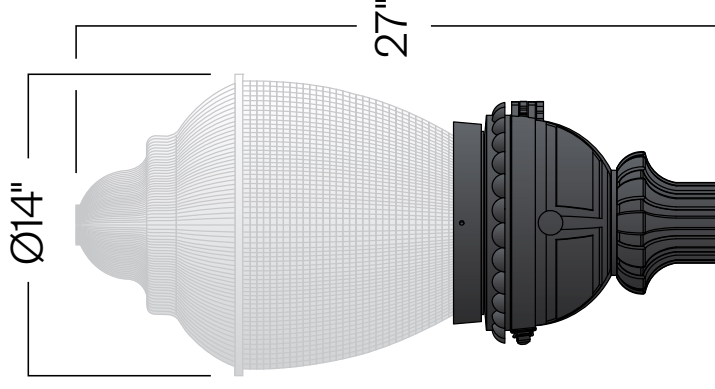
**FIN-760**  
Cast aluminum finial



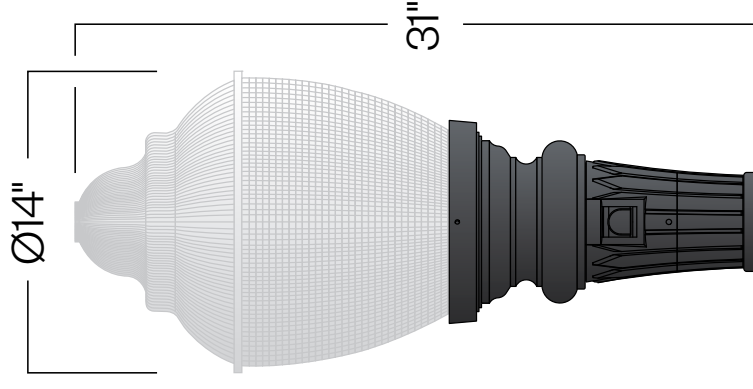
**DUF1-AR18GL**



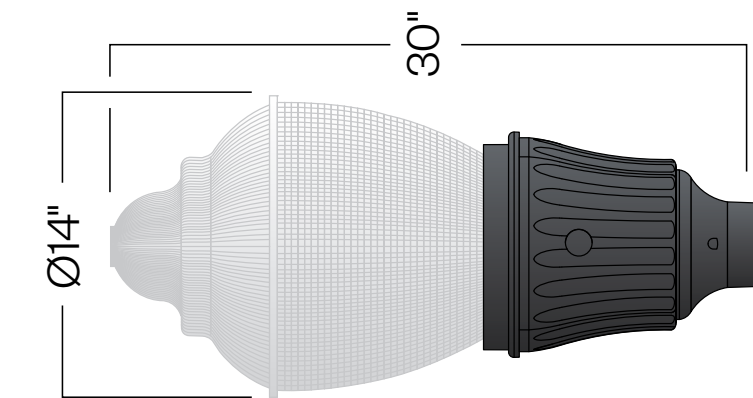
**DUF4-AR18GL**



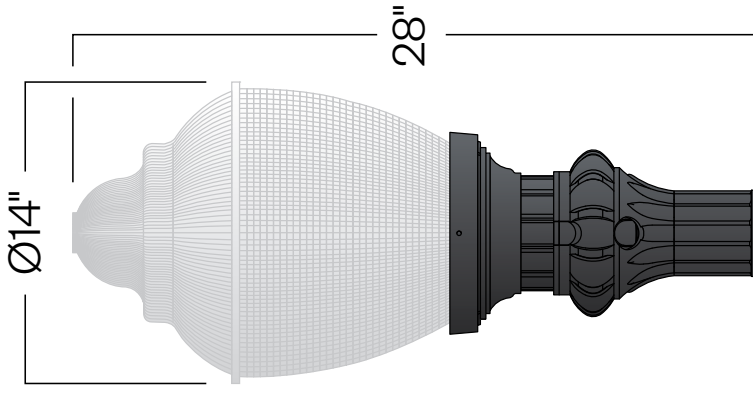
**DUF34-AR18GL**



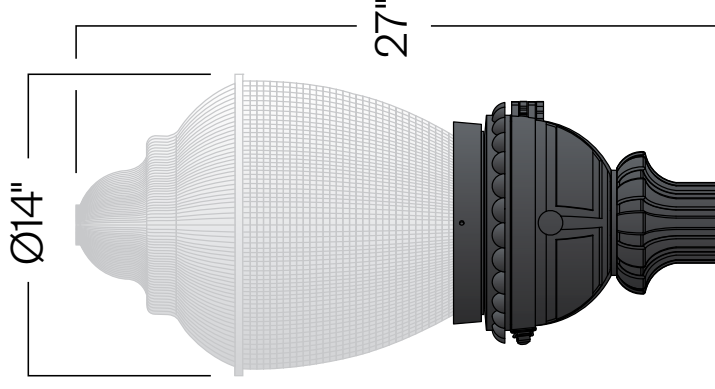
**DUF37-AR18GL**



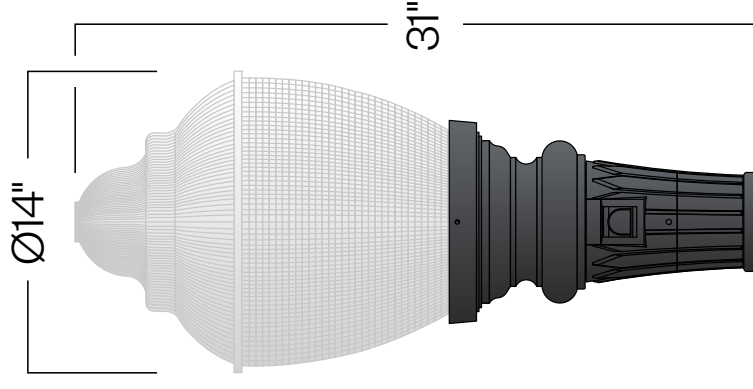
**DUF1-AR18GL**



**DUF4-AR18GL**



**DUF34-AR18GL**



**DUF37-AR18GL**