

# ARP23 SERIES LUMINAIRE

U.11.15.18

ARP23  
HID

## DESCRIPTION:

Lighting for exterior retail, commercial and hospitality environments. The ARP23 Series consists of a high performance luminaire designed around an efficient Type III (T3) or Type V (T5) refractive acorn combined with one of several styles of cast aluminum fitters.

## INSTALLATION:

The luminaire will mount to a 3" OD post or tenon with 5/16" black oxide coated stainless steel set screws to ensure a solid connection. The diffuser will be held to the fitter by (4) 5/16"-18 black oxide coated stainless steel set screws.

## ELECTRICAL:

- High power factor ballast (HPF), core and coil type, pre-wired and tested
- Easy ballast pod access
- 4KV pulse rated porcelain socket

**ETL listed, suitable for wet locations.**

## DIFFUSER CHOICES:

- Acrylic Type III (**AC-T3**)
- Acrylic Type V (**AC-T5**)
- Polycarbonate Type III (**PC-T3**)
- Polycarbonate Type V (**PC-T5**)

## FINISH:

Durable thermoset polyester powdercoat finish in the following:

- Satin Black (**BLK**)
- Classic Bronze (**CLB**)
- Gloss Textured Bronze (**GBZ**)
- Green (**GRN**)
- Gloss Textured Black (**GTB**)
- Textured Black (**TBK**)
- Gloss Textured Green (**TGR**)

## ACCESSORIES:

- Cast aluminum Finial (**CFIN**)
- Faceted Downlight Reflector (**FDR**)
- 90 Degree house-side shield (**HSS-90**)
- 180 Degree house-side shield (**HSS-180**)
- Dusk-to-dawn Photocell (**PCL**)

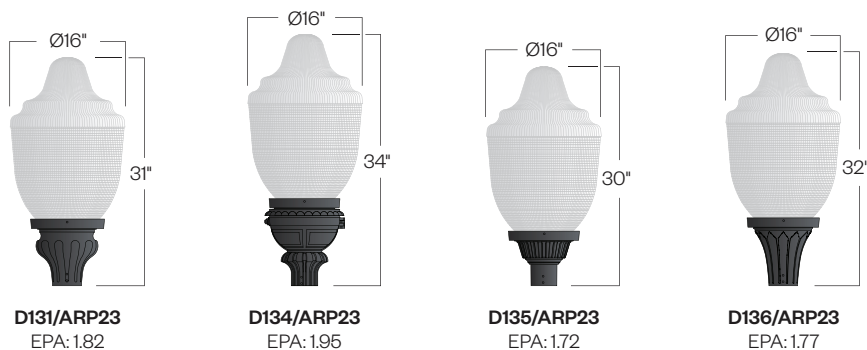


PROJECT:

LOCATION:

FIXTURE TYPE:

NOTES:



# ARP23 SERIES LUMINAIRE

ARP23  
HID

## Ordering Information

1

2

3

4

5

6

Add additional accessories as needed.

1

### Model

**D131/ARP23**  
**D134/ARP23**  
**D135/ARP23**  
**D136/ARP23**

2

### Diffuser Choices

**AC-T3** - Acrylic Type 3  
**AC-T5** - Acrylic Type 5  
**PC-T3** - Polycarbonate Type 3  
**PC-T5** - Polycarbonate Type 3

3

### Light Source

**70MH** - 70w Metal Halide  
**100MH** - 100w Metal Halide  
**150MH** - 150w Metal Halide  
**70HPS** - 70w High Pressure Sodium  
**100HPS** - 100w High Pressure Sodium  
**150HPS** - 150w High Pressure Sodium  
**MDO** - Medium Socket Only  
**MGO** - Mogul Socket Only

4

### Voltage

**120V**  
**208V**  
**240V**  
**277V**

5

### Finish

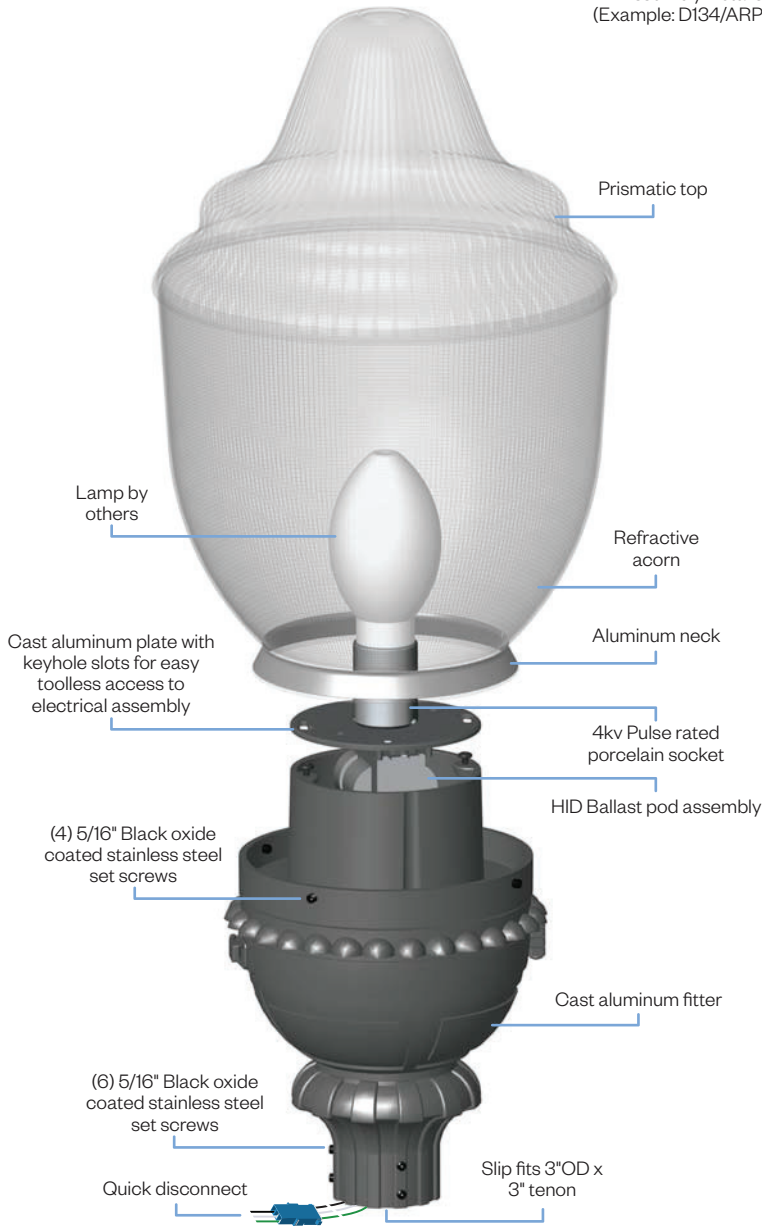
**BLK** - Satin Black  
**CLB** - Classic Bronze  
**GBZ** - Gloss Textured Bronze  
**GRN** - Green  
**GTB** - Gloss Textured Black  
**TBK** - Textured Black  
**TGR** - Gloss Textured Green  
**CSTM** - Custom

6

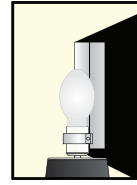
### Accessories

**CFIN** - Cast Aluminum Finial  
**HSS-90** - 90° House Side Shield  
**HSS-180** - 180° House Side Shield  
**PCL** - Dusk-to-dawn button type photocell

Assembly Details  
(Example: D134/ARP23)



Options



**HSS-90 & HSS-180**  
House Side Shield  
for use with Optical  
Systems

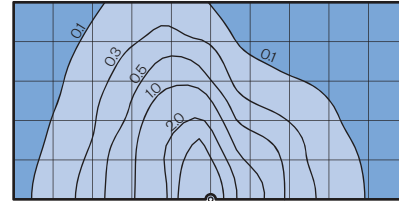


**FDR**  
Faceted  
Downlight  
Reflector

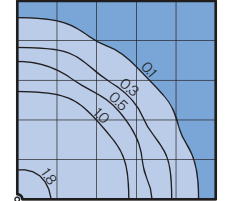
Photometry

Typical HID light source  
14,000 Lumen  
12' Mounting Height  
Grid Spacing is 12'

Type III (T3)



Type V (T5)



HID Socket Types

Wattage	Socket Type
<b>70MH,100MH,150MH</b>	Medium
<b>70HPS,100HPS</b>	Medium
<b>150HPS</b>	Mogul