

ARP23 SERIES LUMINAIRE

U.11.15.18

ARP23
HID

DESCRIPTION:

Lighting for exterior retail, commercial and hospitality environments. The ARP23 Series consists of a high performance luminaire designed around an efficient Type III (T3) or Type V (T5) refractive acorn combined with one of several styles of cast aluminum fitters.

INSTALLATION:

The luminaire will mount to a 3" OD post or tenon with 5/16" black oxide coated stainless steel set screws to ensure a solid connection. The diffuser will be held to the fitter by (4) 5/16"-18 black oxide coated stainless steel set screws.

ELECTRICAL:

- High power factor ballast (HPF), core and coil type, pre-wired and tested
- Easy ballast pod access
- 4KV pulse rated porcelain socket

ETL listed, suitable for wet locations.

DIFFUSER CHOICES:

- Acrylic Type III (**AC-T3**)
- Acrylic Type V (**AC-T5**)
- Polycarbonate Type III (**PC-T3**)
- Polycarbonate Type V (**PC-T5**)

FINISH:

Durable thermoset polyester powdercoat finish in the following:

- Satin Black (**BLK**)
- Classic Bronze (**CLB**)
- Gloss Textured Bronze (**GBZ**)
- Green (**GRN**)
- Gloss Textured Black (**GTB**)
- Textured Black (**TBK**)
- Gloss Textured Green (**TGR**)

ACCESSORIES:

- Cast aluminum Finial (**CFIN**)
- Faceted Downlight Reflector (**FDR**)
- 90 Degree house-side shield (**HSS-90**)
- 180 Degree house-side shield (**HSS-180**)
- Dusk-to-dawn Photocell (**PCL**)

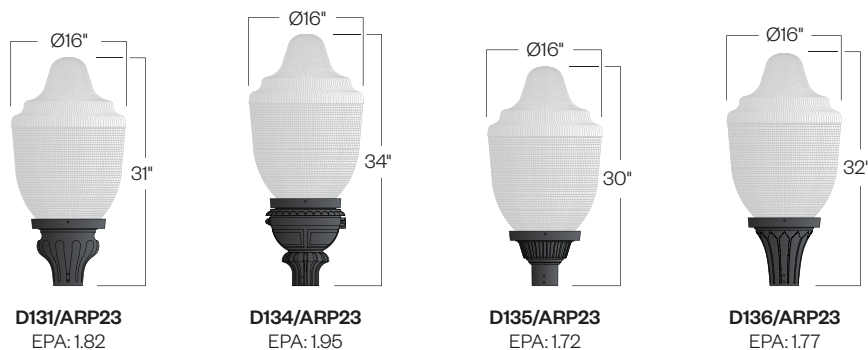


PROJECT:

LOCATION:

FIXTURE TYPE:

NOTES:



Ordering Information

1

2

3

4

5

6

Add additional accessories as needed.

1

Model

D131/ARP23
D134/ARP23
D135/ARP23
D136/ARP23

2

Diffuser Choices

AC-T3 - Acrylic Type 3
AC-T5 - Acrylic Type 5
PC-T3 - Polycarbonate Type 3
PC-T5 - Polycarbonate Type 3

3

Light Source

70MH - 70w Metal Halide
100MH - 100w Metal Halide
150MH - 150w Metal Halide
70HPS - 70w High Pressure Sodium
100HPS - 100w High Pressure Sodium
150HPS - 150w High Pressure Sodium
MDO - Medium Socket Only
MGO - Mogul Socket Only

4

Voltage

120V
208V
240V
277V

5

Finish

BLK - Satin Black
CLB - Classic Bronze
GBZ - Gloss Textured Bronze
GRN - Green
GTB - Gloss Textured Black
TBK - Textured Black
TGR - Gloss Textured Green
CSTM - Custom

6

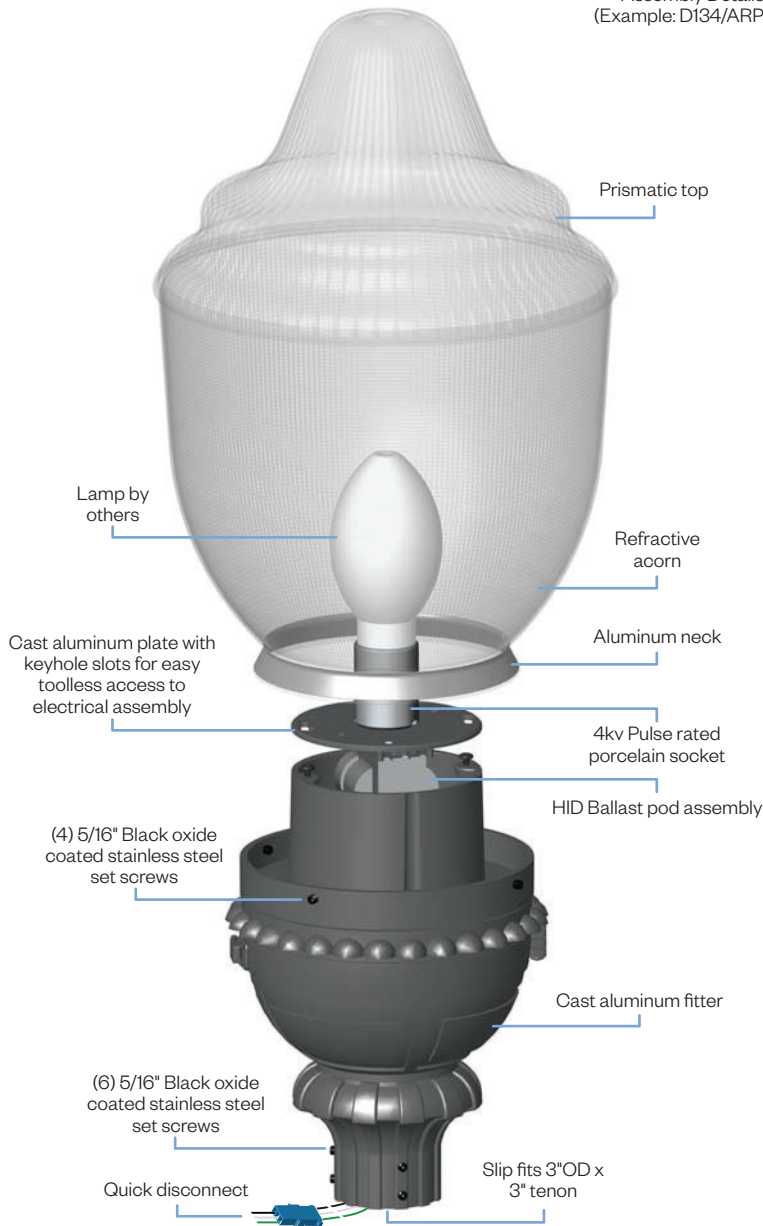
Accessories

CFIN - Cast Aluminum Finial
HSS-90 - 90° House Side Shield
HSS-180 - 180° House Side Shield
PCL - Dusk-to-dawn button type photocell

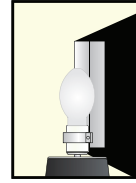
ARP23 SERIES LUMINAIRE

ARP23
HID

Assembly Details
(Example: D134/ARP23)



Options



HSS-90 & HSS-180
House Side Shield
for use with Optical
Systems

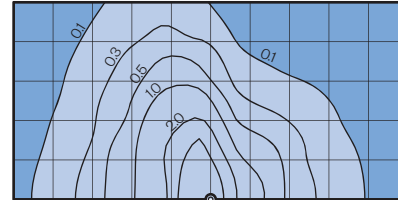


FDR
Faceted
Downlight
Reflector

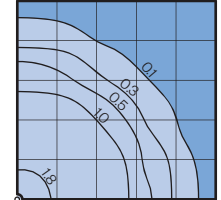
Photometry

Typical HID light source
14,000 Lumen
12' Mounting Height
Grid Spacing is 12'

Type III (T3)



Type V (T5)



HID Socket Types

Wattage	Socket Type
70MH,100MH,150MH	Medium
70HPS,100HPS	Medium
150HPS	Mogul