

# AVISTA

## Multi-fit LED Light Engine

U.11.3.16

### APPLICATION:

LED Light engine for use in post top mount area and pedestrian environments. Designed for new fixtures or existing as a retrofit.

### INSTALLATION:

Height adjustable Light Engine - Can be field set to optimal performance. Seperate driver and light engine allows for installation into many existing luminaires.

### ELECTRICAL:

- Automatic AC incoming voltage sensing 120-277
- Over voltage and short circuit protection
- 10kv surge protection device included

### CONSTRUCTION:

- Anodized Aluminum Heat Sink
- Sealed optical system
- Die cast mounting sleeve
- Anodized adjustable riser pipe

### DISTRIBUTION:

- SY** - Symmetric
- AS** - Asymmetric
- SO** - Street Optic

### DRIVER OUTPUT:

700ma (L) / 1000ma (H)

### EFFICACY:

Up to 100 lumens/watt from the light engine

### NOMINAL INPUT POWER:

41W, 60W

### CCT:

4000K

### LIFE:

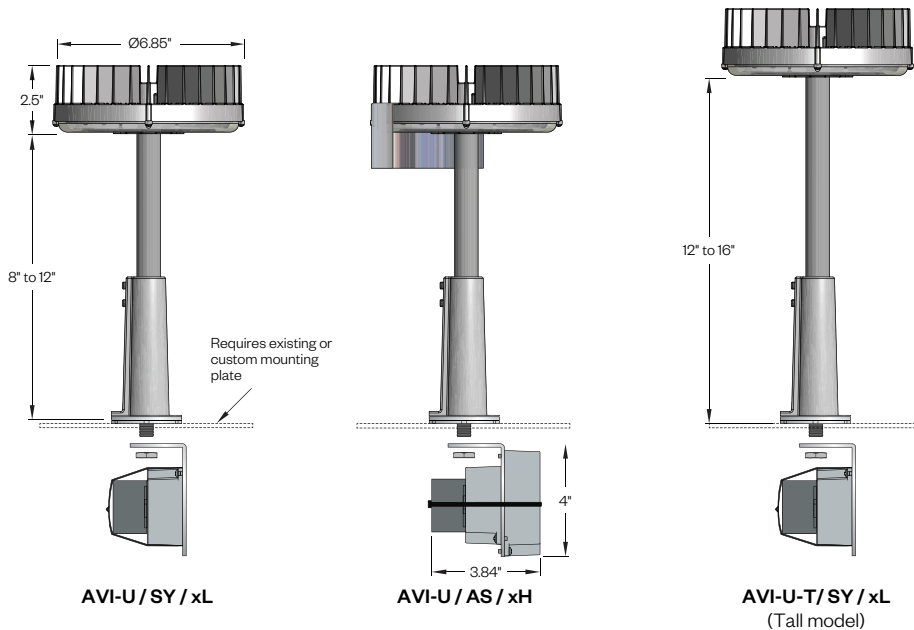
50,000+ hours

## AVI-U LED Retrofit



PROJECT:

TYPE:



### Ordering Information

Model	Light Distribution	Code	CCT	CRI	Approx. Lumens Delivered	Nominal Input Power
AVI-U AVI-U-T	<b>SY</b> (Symmetric)	<b>4H</b>	4,000K	80	5,100 lm	60W
	<b>AS</b> (Asymmetric)	<b>4H</b>	4,000K	80	5,050 lm	
	<b>SO</b> (Street Optic)	<b>4H</b>	4,000K	80	4,990 lm	
	<b>SY</b>	<b>4L</b>	4,000K	80	3,460 lm	41W
	<b>AS</b>	<b>4L</b>	4,000K	80	3,420 lm	
	<b>SO</b>	<b>4L</b>	4,000K	80	3,350 lm	

Ordering options in **BOLD**



Electrostatic sensitive device.  
observe precautions for handling

**5** year limited  
warranty  
AMERLUX LED



Part String

Example: AVI-U/SY/3H

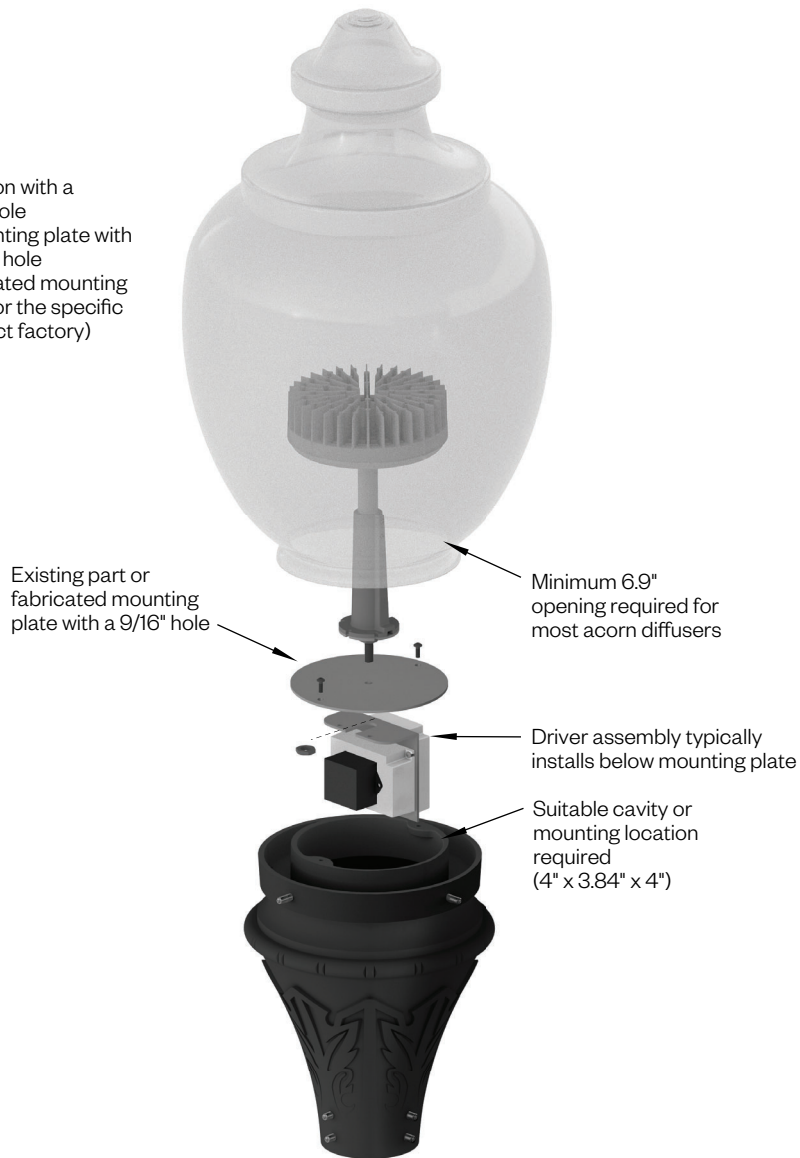
# AVISTA

## Multi-fit LED Light Engine

### Typical Mounting

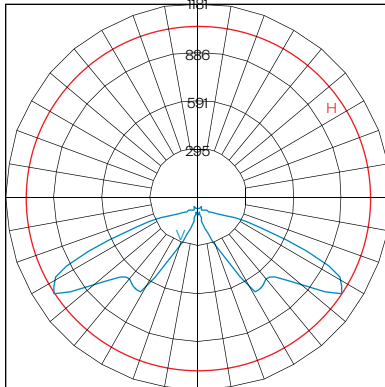
Will mount to:

- A suitable location with a minimum 9/16" hole
- An existing mounting plate with a minimum 9/16" hole
- A custom fabricated mounting plate designed for the specific luminaire (contact factory)



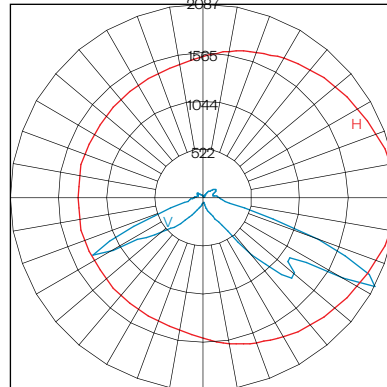
### Photometry

SY POLAR GRAPH



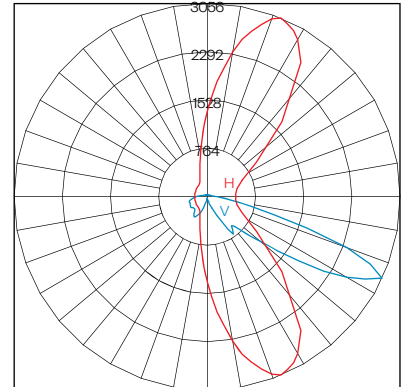
Maximum Candela=1181 Located At Horizontal Angle=0, Vertical Angle=60  
 V - Vertical Plane Through Horizontal Angles (0 - 180) (Through Max. Cd.)  
 H - Horizontal Cone Through Vertical Angle (60) (Through Max. Cd.)

AS POLAR GRAPH



Maximum Candela=2087 Located At Horizontal Angle=5, Vertical Angle=62.5  
 V - Vertical Plane Through Horizontal Angles (5 - 185) (Through Max. Cd.)  
 H - Horizontal Cone Through Vertical Angle (62.5) (Through Max. Cd.)

SO POLAR GRAPH



Maximum Candela=3066 Located At Horizontal Angle=67.5, Vertical Angle=65  
 V - Vertical Plane Through Horizontal Angles (67.5 - 247.5) (Through Max. Cd.)  
 H - Horizontal Cone Through Vertical Angle (65) (Through Max. Cd.)