

# AVISTA

## LED Light Engine

U.6.24.16

### APPLICATION:

LED Light engine for use in post top mount area and pedestrian environments. Designed for new fixtures or existing as a retrofit.

### INSTALLATION:

Height adjustable light engine can be field adjusted to optimal performance. LED retrofit kit mounts to many existing luminaires.

### ELECTRICAL:

- Automatic AC incoming voltage sensing 120–277
- Over voltage and short circuit protection
- 10kv surge protector

### CONSTRUCTION:

- Anodized Aluminum Heat Sink
- IP66 Rated
- Cast aluminum fitter plate provided
- Sealed LED chamber and optics

### DISTRIBUTION:

- SY** - Symmetric
- AS** - Asymmetric
- SO** - Street Optic

### EFFICACY:

Up to 100 lumens/ watt

### NOMINAL INPUT POWER:

41W, 60W

### CCT:

4,000K

### LIFE:

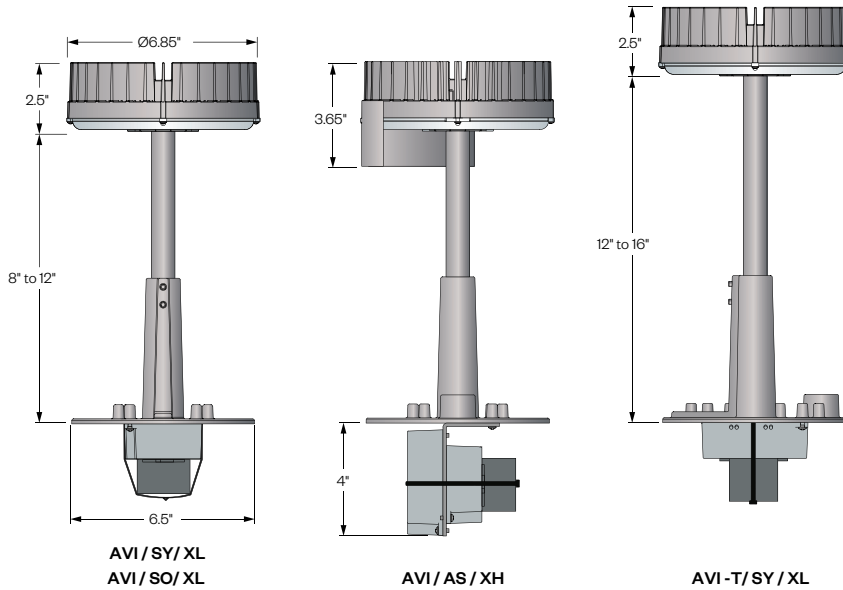
50,000+ hours

**AVI**  
LED



PROJECT:

TYPE:



### Ordering Information

Model	Light Distribution	Code	CCT	CRI	Approx. Lumens Delivered	Nominal Input Power
AVI AVI-T	<b>SY</b> (Symmetric)	<b>4H</b>	4,000K	80	5,100 lm	60W
	<b>AS</b> (Asymmetric)	<b>4H</b>	4,000K	80	5,050 lm	
	<b>SO</b> (Street Optic)	<b>4H</b>	4,000K	80	4,990 lm	
	<b>SY</b>	<b>4L</b>	4,000K	80	3,460 lm	41W
	<b>AS</b>	<b>4L</b>	4,000K	80	3,420 lm	
	<b>SO</b>	<b>4L</b>	4,000K	80	3,350 lm	



Electrostatic sensitive device.  
observe precautions for handling

**5** year limited  
warranty  
AMERLUX LED



Part String

Example: AVI/SY/3H