

Avista[®]

LED Light Engine

Patent Protected



Features

As LEDs change and improve, so does Avista with a second generation of LEDs, optics, and drivers. The Avista is designed to integrate into almost any post top luminaire as a powerful, energy efficient, and long lasting LED system. Avista provides various options for intensity, distribution and color to make the transition seamless and fit the application perfectly.

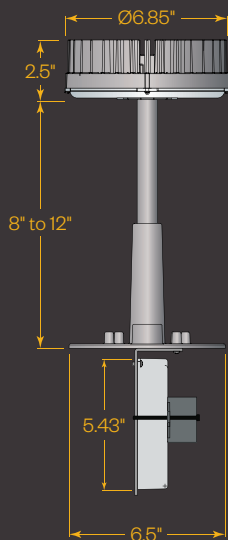
Product Overview

| | |
|---------------|--------------------------|
| Wattage: | up to 68W |
| Lumen Output: | up to 7,500 lm |
| Color Temp: | 2,700K / 3,000K / 4,000K |
| Diameter: | Ø6.85 inches |
| Dimming: | 0-10V |

Control-ready option is available.

PROJECT:

TYPE:



Application:

LED Light engine for use in post top mount area and pedestrian environments. Designed for new fixtures or existing as a retrofit.

Installation:

Height adjustable light engine can be field set for optimal performance. LED retrofit kit mounts to many existing luminaires.

Electrical:

- Over voltage and short circuit protected driver
- Series connected 10kV/20kA surge protector
- Universal input voltage 120-277 VAC (50/60Hz)
- 0-10V dimming

Construction:

- Anodized Aluminum Heat Sink
- Fully sealed LED optical chamber
- Acrylic Lens

Accessory:

- MFP** - Multi-fit plate
- CSTM** - Custom plate
- 7IR** - 7 pin integrated receptacle
- CCH** - Controls Capable Harness

Distribution:

- SY** - Symmetric
- AS** - Asymmetric
- SO** - Street Optic (Type 3)

L70:

50,000+

CCT:

- 27** - 2,700K
- 30** - 3,000K
- 40** - 4,000K

Efficacy:

Up to 126 lumens/ watt

Drive Current:

- 500M** - 500mA
- 700M** - 700mA
- 1200M** - 1200mA



Ordering Information



Add additional accessories as needed.

- 1** Model
AVI2 - Standard model
AVI2-T - Tall model
AVI2-U - Multi-fit model
AVI2-U-T - Multi-fit Tall model
AVI2-P - Pendant model

- 2** Light Distribution
SY - Symmetric
AS - Asymmetric
SO - Street Optic

- 3** CCT
27 (2,700K)
30 (3,000K)
40 (4,000K)

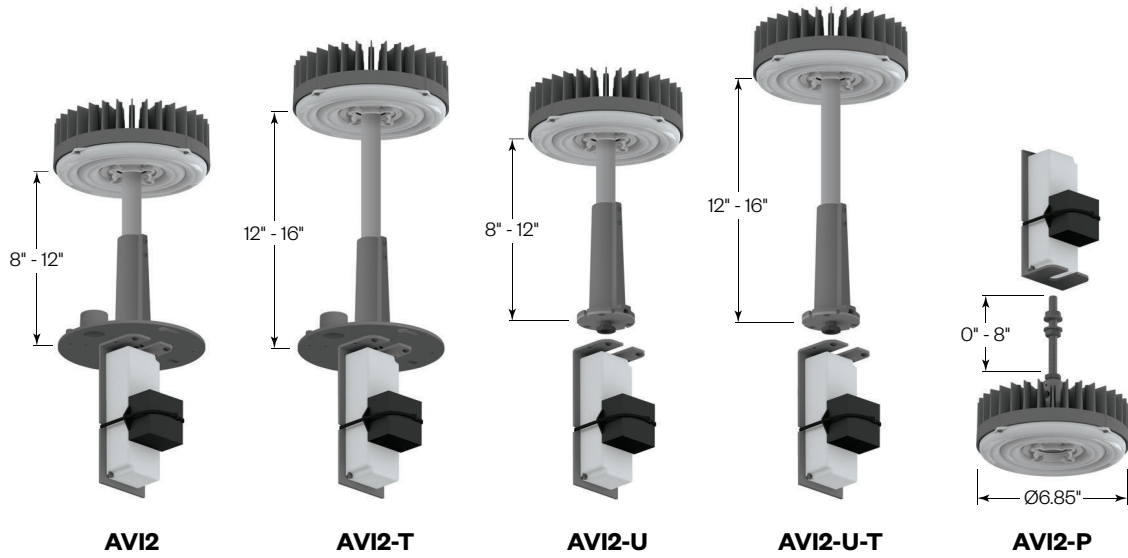
- 4** Drive Current
500M - 500mA
700M - 700mA
1200M - 1200mA

- 5** Accessory
MFP - Multi-fit plate (for use with AVI2-U & AVI2-U-T models only)
CSTM - Custom plate
7IR - 7 pin integrated receptacle
CCH - Controls Capable Harness

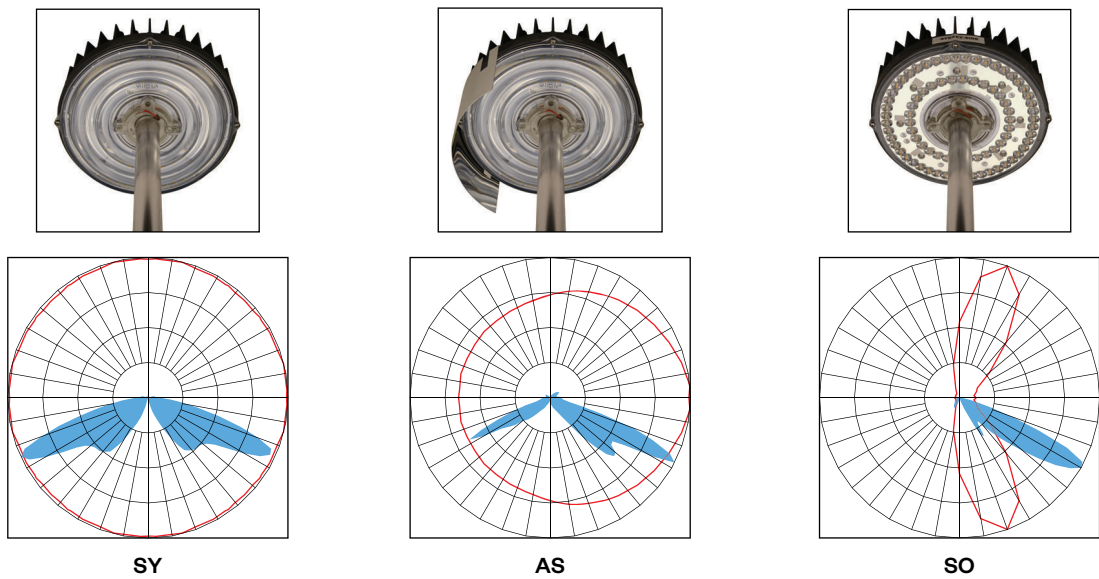
PROJECT:

TYPE:

Standard Models



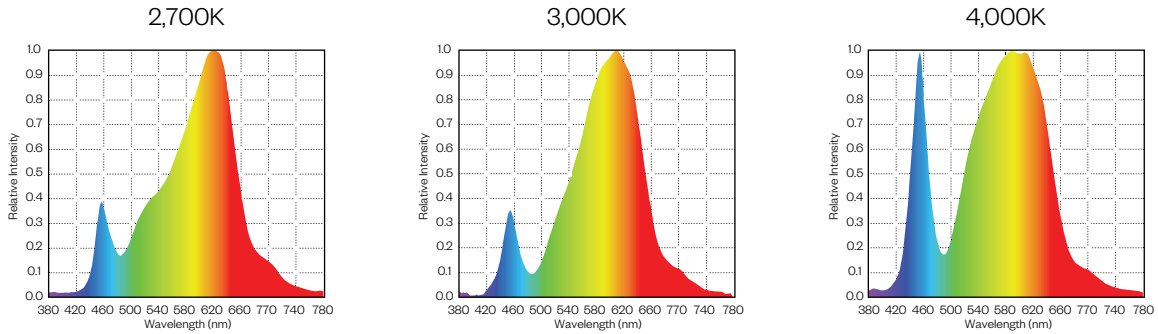
Light Distribution Types



PROJECT:

TYPE:

Spectral Power Distribution



Performance Chart

| Drive Current | System Watts | Light Distribution | CCT | Engine Only Lumens | Engine Only LPW | DLC Globe Lumens | DLC Globes LPW | BUG Rating |
|-----------------|--------------|--------------------|--------|--------------------|-----------------|------------------|----------------|------------|
| 500M 500mA | 27W | SY Symmetric | 2,700K | 3,030 lm | 112 | 2,270 lm | 84 | 2-3-2 |
| | | | 3,000K | 3,120 lm | 116 | 2,880 lm | 107 | 2-3-2 |
| | | | 4,000K | 3,420 lm | 126 | 3,150 lm | 117 | 2-3-2 |
| | | AS Asymmetric | 2,700K | 2,910 lm | 108 | 2,200 lm | 81 | 1-3-1 |
| | | | 3,000K | 3,000 lm | 111 | 2,770 lm | 103 | 1-3-1 |
| | | | 4,000K | 3,140 lm | 116 | 2,900 lm | 107 | 1-3-1 |
| | | SO Street Optic | 2,700K | 2,980 lm | 110 | 2,440 lm | 82 | 1-3-1 |
| | | | 3,000K | 3,060 lm | 113 | 2,830 lm | 105 | |
| | | | 4,000K | 3,220 lm | 119 | 2,980 lm | 110 | |
| 700M 700mA | 38W | SY Symmetric | 2,700K | 4,120 lm | 109 | 3,100 lm | 81 | 2-3-2 |
| | | | 3,000K | 4,240 lm | 112 | 3,870 lm | 103 | 2-3-2 |
| | | | 4,000K | 4,640 lm | 123 | 4,240 lm | 112 | 2-3-2 |
| | | AS Asymmetric | 2,700K | 3,790 lm | 100 | 2,990 lm | 60 | 1-3-1 |
| | | | 3,000K | 3,900 lm | 103 | 3,610 lm | 96 | |
| | | | 4,000K | 4,090 lm | 108 | 3,780 lm | 100 | |
| | | SO Street Optic | 2,700K | 4,010 lm | 106 | 3,290 lm | 86 | 1-3-1 |
| | | | 3,000K | 4,130 lm | 109 | 3,820 lm | 101 | 1-3-1 |
| | | | 4,000K | 4,330 lm | 115 | 4,010 lm | 106 | 1-3-1 |
| 1200M 1200mA | 68W | SY Symmetric | 2,700K | 6,110 lm | 90 | * | * | * |
| | | | 3,000K | 7,260 lm | 107 | 6,720 lm | 99 | 3-3-3 |
| | | | 4,000K | 7,530 lm | 111 | 6,970 lm | 103 | 3-3-3 |
| | | AS Asymmetric | 2,700K | 5,690 lm | 84 | * | * | * |
| | | | 3,000K | 6,990 lm | 103 | 6,470 lm | 96 | |
| | | | 4,000K | 7,320 lm | 108 | 6,770 lm | 100 | |
| | | SO Street Optic | 2,700K | 5,820 lm | 86 | * | * | * |
| | | | 3,000K | 7,140 lm | 106 | 6,610 lm | 98 | |
| | | | 4,000K | 7,500 lm | 111 | 6,940 lm | 103 | |

Approximate lumens delivered from raw light engine.

*These models are not DLC listed.

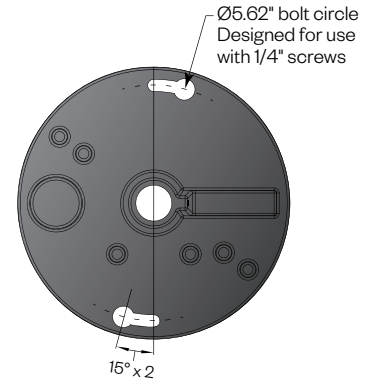
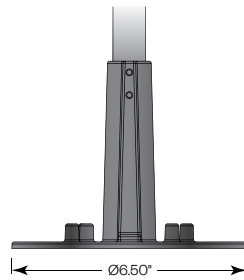
PROJECT:

TYPE:

AVI2 and AVI2-T Standard Mounting Plate

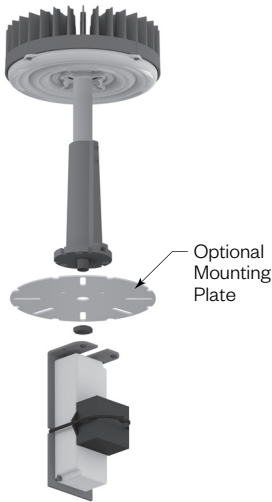


Includes one piece cast aluminum mounting plate with a height adjustable stem.

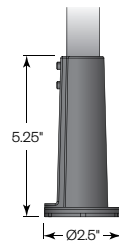


AVI2-U and AVI2-U-T Mounting Options

Mounting plate is not provided unless specified.

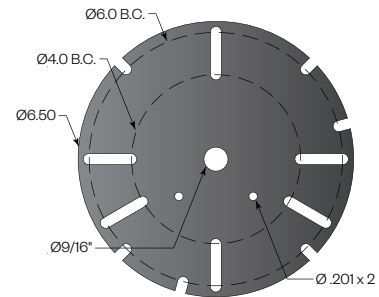


Optional Mounting Plate

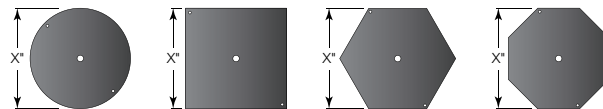


MFP (Optional plate)

Allows for various screw patterns and configurations.

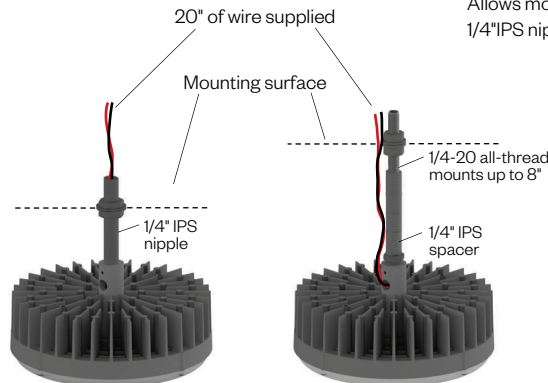
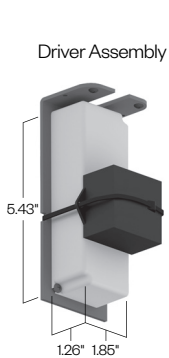


Custom Mounting Plates (consult factory)



AVI2-P Assembly

Designed for pendant application.



Allows mounting with 1/4\"/>

Hardware Contents:

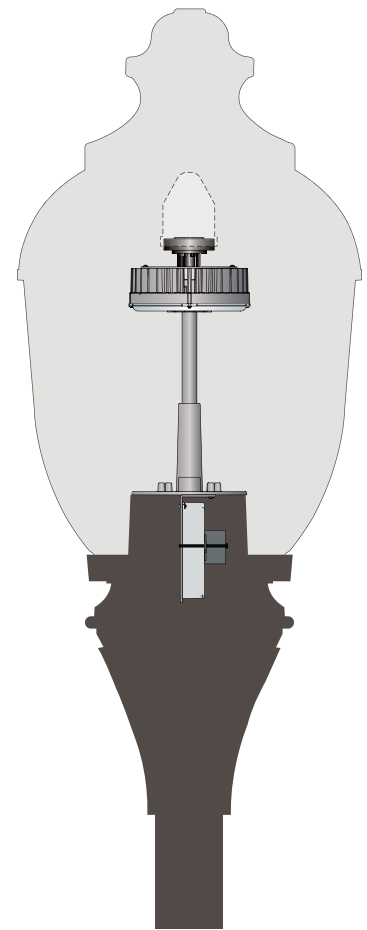
- (4) 1/4\"/>
- (2) 1/4\"/>
- (2) 1/4\"/>
- (1) 1/4-20x8 all-thread
- (2) 1/4-20 nuts
- (2) 1/4-20 washer
- (1) 1/4\"/>

7-PIN Control-ready Option (7IR)

A 7-PIN Control-ready option for Avista enables wireless control technology. An integral 7-pin NEMA receptacle is combined with our patented LED post-top retrofit designed for operation in a wireless mesh network. The Avista using a wireless control system, could be suitable for a broad range of outdoor applications allowing for optimization energy savings, enhanced lighting asset management and improved maintenance and repair operations.

Requirements:

- Shorting cap required prior to control system installation
- Check luminaire clearances for AVI and control system prior to installation
- If the control system includes a photocell, attention should be paid to the type of luminaire. Reflections of light inside the globe could turn the luminaire off.
- Design for use with wireless node rated $\geq 70^{\circ}\text{C}$



PROJECT:

TYPE:

Controls-capable Wiring Harness (CCH)

A Controls-capable Wiring Harness option for Avista is enabled for future wireless control technology. A separate control wiring harness is included and can be used for installation of a future control system.

- Ready for future intelligent control node, providing dimming, power metering, and outage notification.
- Includes wiring harness for flexible convenient installation of future control systems.

