

D860 LED SERIES LUMINAIRE

U.5.16.19

DESCRIPTION:

Lighting for exterior retail, commercial and hospitality environments. The D860 Series consists of an efficient Type III (T3) or Type V (T5) refractive borosilicate glass acorn combined with one of several styles of cast aluminum fitters. Powered by Amerlux's patented AVISTA® LED system with options for intensity, distribution and color.

INSTALLATION:

The luminaire will mount to a 3" OD post or tenon with 5/16" black oxide coated stainless steel set screws to ensure a solid connection. The diffuser will be held to the fitter by (4) 1/4-20" black oxide coated stainless steel captive set screws.

ELECTRICAL:

- Over voltage and short circuit protected driver
- Series connected 10kV/20kA surge protector
- Automatic AC incoming voltage sensing (120-277v)
- Over voltage and short circuit protection
- 0-10v dimming

ETL listed, suitable for wet locations.

Diffuser Choices:

- Type III (T3)
- Type V (T5)

FINISH:

Durable thermoset polyester powdercoat finish in the following:

- Satin Black (BLK)
- Classic Bronze (CLB)
- Gloss Textured Bronze (GBZ)
- Green (GRN)
- Gloss Textured Black (GTB)
- Textured Black (TBK)
- Gloss Textured Green (TGR)

LED Board Drive Current:

- 500ma (500M)
- 700ma (700M)
- 1200ma (1200M)

CCT:

- 2,700K (27)
- 3,000K (30)
- 4,000K (40)

L70:

50,000+

ACCESSORIES:

- Dusk-to-dawn button type photocell (PCL)
- Controls Capable Harness (CCH)

D860

LED

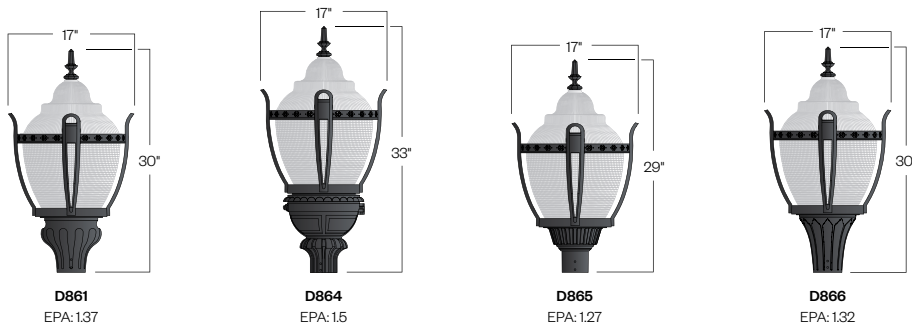


PROJECT:

LOCATION:

FIXTURE TYPE:

NOTES:




Electrostatic sensitive device.
observe precautions for handling

5 year limited
warranty
AMERLUX LED



D860 LED SERIES LUMINAIRE

D860
LED

Ordering Information



Add additional accessories as needed.

1 Model

D861
D864
D865
D866

2 Diffuser Choices

T3 - Type 3
T5 - Type 5

3 LED System

AVI2-SY - Symmetric Distribution

4 CCT

27 - 2,700K
30 - 3,000K
40 - 4,000K

5 Drive Current

500M - 500mA
700M - 700mA
1200M - 1200mA

6 Finish

BLK - Satin Black
CLB - Classic Bronze
GBZ - Gloss Textured Bronze
GRN - Green
GTB - Gloss Textured Black
TBK - Textured Black
TGR - Gloss Textured Green
CSTM - Custom

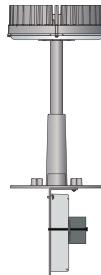
7 Accessories

PCL - Dusk-to-dawn button type photocell
CCH - Controls Capable Harness

D860 LED SERIES LUMINAIRE

D860
LED

Engine Only Performance (bold indicates ordering code)



LED System	Driver Output	System Watts	CCT	Engine Only Lumens	Engine Only LPW
AVI2-SY	500M (500mA)	27W	27 (2,700K)	3,030 lm	112
			30 (3,000K)	3,120 lm	116
			40 (4,000K)	3,420 lm	126
	700M (700mA)	38W	27 (2,700K)	4,120 lm	109
			30 (3,000K)	4,240 lm	112
			40 (4,000K)	4,640 lm	123
	1200M (1200mA)	68W	27 (2,700K)	6,110 lm	90
			30 (3,000K)	7,260 lm	107
			40 (4,000K)	7,530 lm	111

Example: D868/T3/AVI2-SY-700M-27/BLK