

DPM

Downlight Pendant-medium 22" LED Luminaire



DESCRIPTION:

Performance and directional control make this luminaire highly versatile and able to accommodate needs in the strictest environments. Multiple size and shade configurations make this luminaire suitable for a wide variety of decorative applications, especially where a Dark Sky friendly instrument is desirable. This luminaire uses less than 60% of the energy yet achieves greater fixture spacing, improved uniformity vs. Metal Halide.

DPM-2/BLK



Product Overview

Max Wattage:	126W
Lumen Output:	9,570 lm
Color Temp:	3,000K / 4,000K / 5,000K
Dimming:	0-10v

PROJECT:

TYPE:

CONSTRUCTION:

- Cast aluminum housing
- Spun aluminum shade

OPTICAL CHAMBER:

Individual IP66 sealed optical modules

OPTICS:

- High Performance individual optical refractive lens for each LED module.
- Cool, neutral, or warm color temperatures
- IESNA Full Cutoff
- Available in Type 2, 3, 4, or 5 light patterns

DRIVER:

Convection cooled driver with electronic constant current operation with over voltage and short circuit protection. Automatic voltage sensing for 120 to 277v input. 0-10v dimming.

ETL listed, suitable for wet locations.

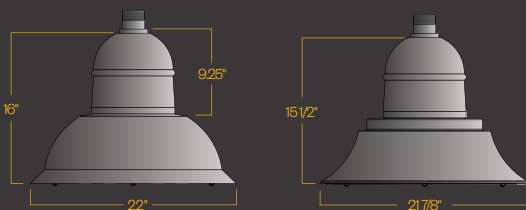
INSTALLATION:

The luminaire will mount to the bracket. Post top luminaire brackets will mount to a 3" OD post or tenon with (6) 5/16" stainless steel set screws. Wall bracket models have four 3/8" holes for mounting (wall mount hardware is not included).

FINISH:

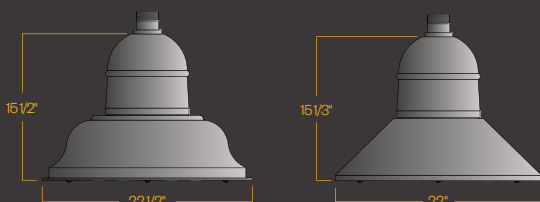
Durable thermoset polyester powdercoat finish in the following:

- Satin Black (**BLK**)
- Classic Bronze (**CLB**)
- Gloss Textured Bronze (**GBZ**)
- Green (**GRN**)
- Gloss Textured Black (**GTB**)
- Textured Black (**TBK**)
- Gloss Textured Green (**TGR**)



DPM-1
EPA:1.9

DPM-2
EPA:1.0



DPM-3
EPA:1.7

DPM-4
EPA:1.0



DPM

Downlight Pendant 22" LED Luminaire



PROJECT:

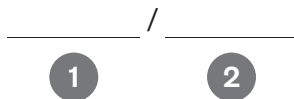
TYPE:

Ordering Information



- 1** Model
DPM-1
DPM-2
DPM-3
DPM-4
- 2** Light Distribution
T2 - Type 2
T3 - Type 3
T4 - Type 4
T5 - Type 5
- 3** Performance Code
3L - 3,000K/82w
4L - 4,000K/82w
5L - 5,000K/82w
3H - 3,000K/126w
4H - 4,000K/126w
5H - 5,000K/126w
- 4** Finish
BLK -Satin Black
CLB -Classic Bronze
GBZ - Gloss Textured Bronze
GRN -Green
GTB - Gloss Textured Black
TBK - Textured Black
TGR - Gloss Textured Green
CSTM -Custom
- 5** Dimming Option
DM - 0-10v

Mounting Ordering Information



- 1** Model
CBR01-1-24-L
CBR01-1-36-L
CBR40-1-24-L
CBR40-2-24-L
CBR81-1-30-L
CBR81-2-30-L
PT40
PT41R
PT42R
- 2** Finish
BLK -Satin Black
CLB -Classic Bronze
GBZ - Gloss Textured Bronze
GRN -Green
GTB - Gloss Textured Black
TBK - Textured Black
TGR - Gloss Textured Green
CSTM -Custom

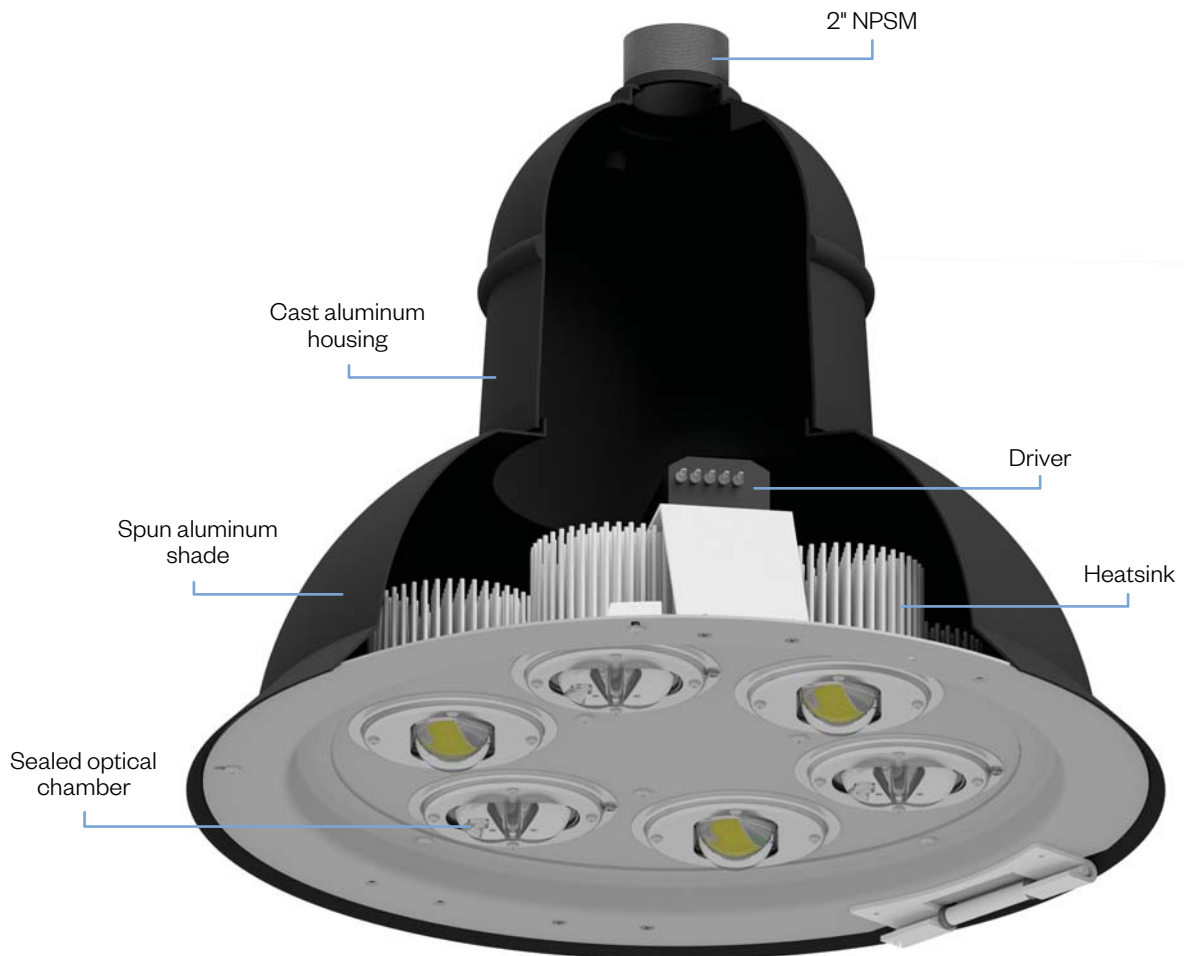
DPM

Downlight Pendant 22" LED Luminaire

PROJECT:

TYPE:

Assembly Details



DPM

Downlight Pendant 22" LED Luminaire

PROJECT:

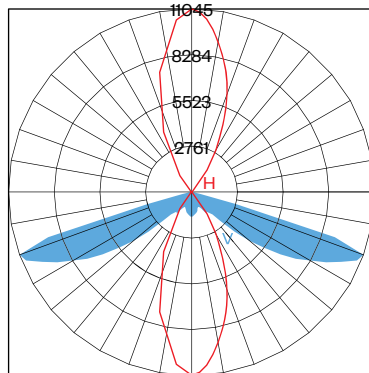
TYPE:

Performance Chart

Order Code	CCT	CRI	Approx. Lumens Delivered	Nominal Input Power
3L	3000K	80	5,860	82W (4 LED)
4L	4000K	80	6,070	
5L	5000K	70	6,280	
3H	3000K	80	8,980	126W (6 LED)
4H	4000K	80	9,260	
5H	5000K	70	9,570	

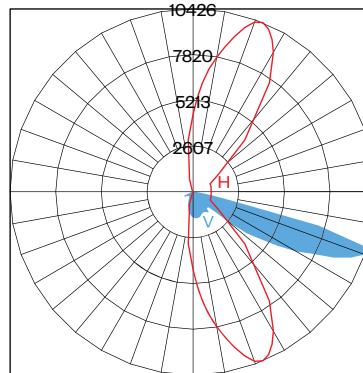
Typical Photometry

POLAR GRAPH
DPM-X-T2-3H



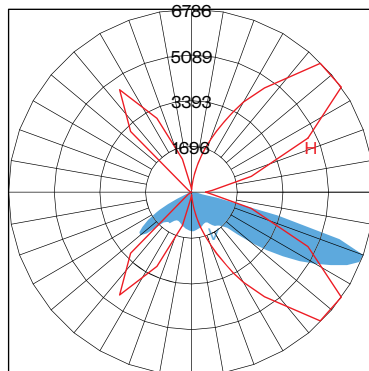
Maximum Candela = 11045.2
Located At Horizontal Angle = 90, Vertical Angle = 70
H - Horizontal Axial Candela V - Vertical Axial Candela

POLAR GRAPH
DPM-X-T3-3H



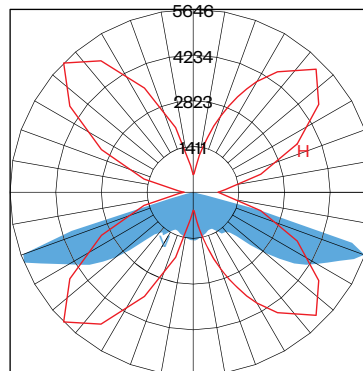
Maximum Candela = 10426
Located At Horizontal Angle = 67.5 Vertical Angle = 70
H - Horizontal Axial Candela V - Vertical Axial Candela

POLAR GRAPH
DPM-X-T4-3H



Maximum Candela = 6785.7
Located At Horizontal Angle = 35 Vertical Angle = 70
H - Horizontal Axial Candela V - Vertical Axial Candela

POLAR GRAPH
DPM-X-T5-3H



Maximum Candela = 5645.8
Located At Horizontal Angle = 135 Vertical Angle = 67.5
H - Horizontal Axial Candela V - Vertical Axial Candela

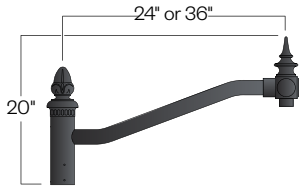
DPM

Downlight Pendant 22" LED Luminaire

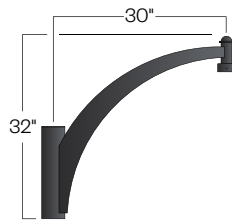
PROJECT:

TYPE:

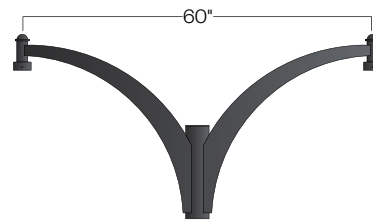
Mounting Options



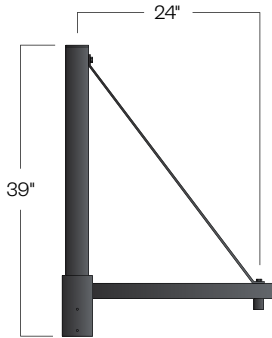
CBR01-1-36 or CBR01-1-24



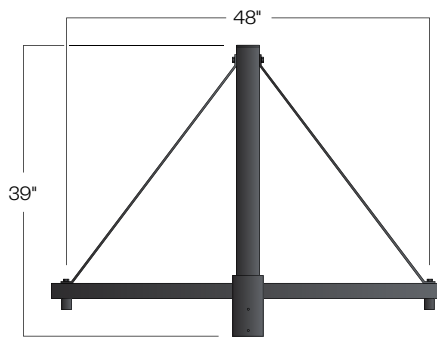
CBR81-1-30



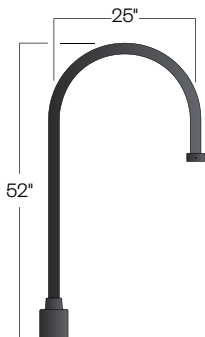
CBR81-2-30



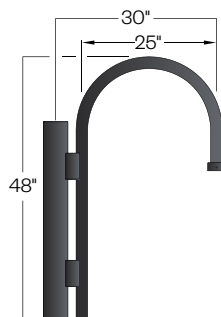
CBR40-1-24-L



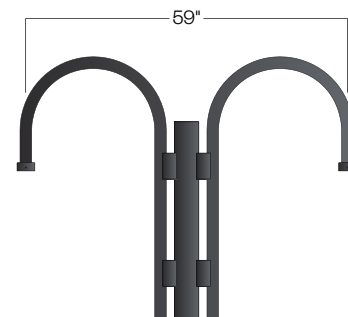
CBR40-2-24-L



PT40



PT41R



PT42R