

DU790 SERIES LED LUMINAIRE

U.7.17.19

DESCRIPTION:

The DU790 Series consists of a Type III(T3) or Type V(T5) refractive borosilicate glass acorn combined with a decorative cage and one of several styles of cast aluminum fitters. The series features easy accessibility to drivers and LED system. Powered by Amerlux's patented AVISTA® LED system with options for intensity, distribution and color.

INSTALLATION:

The luminaire will mount to a 3" OD post or tenon with 5/16" black oxide coated stainless steel set screws to ensure a solid connection. The diffuser will be held to the fitter by (4) 1/4-20" black oxide coated stainless steel captive set screws.

ELECTRICAL:

- High power factor ballast (HPF), core and coil type, pre-wired and tested
- Easy ballast pod access
- 4KV pulse rated porcelain socket
- Suitable for wet location
- 3 pin twist lock receptacle included (photocell optional)
- Optional 7 pin twist lock receptacle available, consult factory

ETL listed, suitable for wet locations.

DIFFUSER:

- The fixture will have a high performance borosilicate glass refractive acorn.
- Specify Type III (T3) or Type V (T5) distribution.

FINISH:

Durable thermoset polyester powdercoat finish in the following:

- Satin Black (**BLK**)
- Classic Bronze (**CLB**)
- Gloss Textured Bronze (**GBZ**)
- Green (**GRN**)
- Gloss Textured Black (**GTB**)
- Textured Black (**TBK**)
- Gloss Textured Green (**TGR**)

ACCESSORIES:

- Twistlock Photocell (**TW-PCL**)

DU790
LED UTILITY

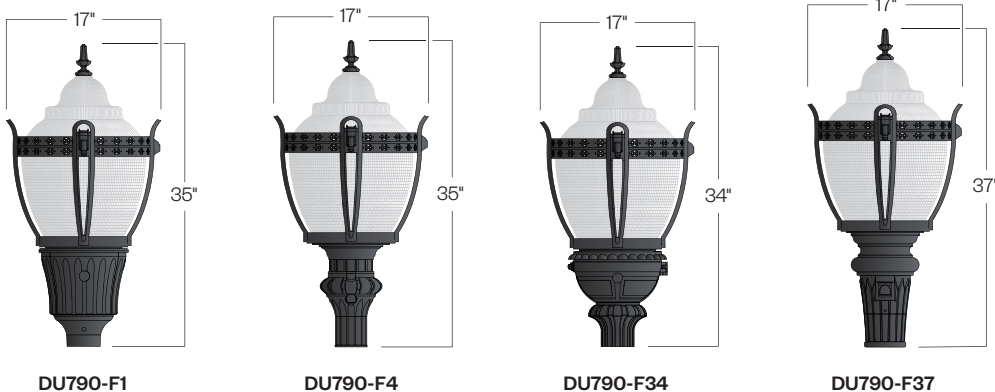


PROJECT:

LOCATION:

FIXTURE TYPE:

NOTES:



Electrostatic sensitive device.
observe precautions for handling

5 year limited
warranty
AMERLUX LED



DU790 SERIES LED LUMINAIRE

DU790
LED UTILITY

Ordering Information



Add additional accessories as needed.

1 Model
DU790-F1
DU790-F4
DU790-F34
DU790-F37

2 Lens Distribution
T3 - Type 3
T5 - Type 5

3 LED System
AVI2-SY - Symmetric Distribution

4 CCT
27 - 2,700K
30 - 3,000K
40 - 4,000K

5 Drive Current
500M - 500mA
700M - 700mA
1200M - 1200mA

6 Finish
BLK - Satin Black
CLB - Classic Bronze
GBZ - Gloss Textured Bronze
GRN - Green
GTB - Gloss Textured Black
TBK - Textured Black
TGR - Gloss Textured Green
CSTM - Custom

7 Accessories
TW-PCL - Dusk-to-dawn photocell

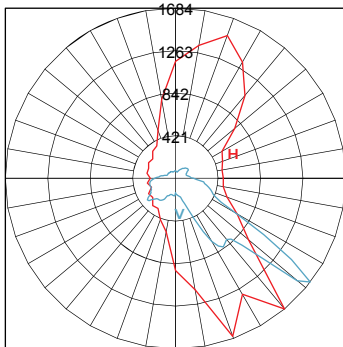
LED Options (**bold** indicates ordering code)

LED System	Driver Output	System Watts	CCT			Engine Only Lumens	Engine Only LPW
			27 (2,700K)	30 (3,000K)	40 (4,000K)		
AVI2-SY	500M (500mA)	27W	27 (2,700K)			3,030 lm	112
			30 (3,000K)			3,120 lm	116
			40 (4,000K)			3,420 lm	126
	700M (700mA)	38W	27 (2,700K)			4,120 lm	109
			30 (3,000K)			4,240 lm	112
			40 (4,000K)			4,640 lm	123
	1200M (1200mA)	68W	27 (2,700K)			6,110 lm	90
			30 (3,000K)			7,260 lm	107
			40 (4,000K)			7,530 lm	111

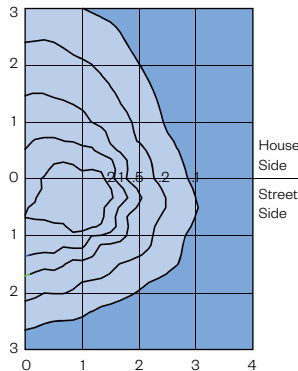
Example: D138/AO28/T3/AVI2-SY-700M-27/BLK

Photometry

DU790-T3-AVI2-SY-40-700M

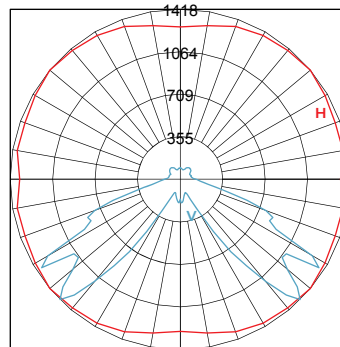


Maximum Candela = 1684
 Located At Horizontal Angle = 310, Vertical Angle = 52.5
 Vertical Plane Through Horizontal Angles (310 - 130) (Through Max. Cd.)
 Horizontal Cone Through Vertical Angle (52.5) (Through Max. Cd.)

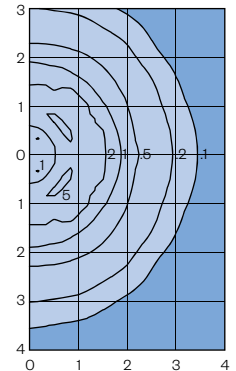


Distance In Units Of Mounting Height
 Values Based On 10 Foot Mounting Height

DU790-T5-AVI2-SY-40-1200M



Maximum Candela = 1418
 Located At Horizontal Angle = 40, Vertical Angle = 45
 Vertical Plane Through Horizontal Angles (40 - 220) (Through Max. Cd.)
 Horizontal Cone Through Vertical Angle (45) (Through Max. Cd.)



Distance In Units Of Mounting Height
 Values Based On 10 Foot Mounting Height