

# Chaperone

## LED Garage Luminaire

### Features

The Amerlux Garage Luminaire is designed to replace ceiling mounted garage fixtures as a complete LED luminaire solution. The luminaire is designed to be an ideal energy savings and light quality replacement for linear fluorescent, HID or Metal halide fixtures. Unlike most direct lighting garage fixtures today, that tend to provide an unattractive glare, the Amerlux luminaire uses indirect light technology to reduce glare, improve performance and quality of light. This new garage light is instant on, and can be integrated with many different control system options in the market today.

### Product Overview

Wattage:	37W / 61W / 79W
Lumen Output:	Up to 7,370lm
Efficacy:	Up to 107 lumens/ watt
Color Temp:	4,000K (3,000K & 5,000K Available)
Dimming:	0-10v dimmable
Life:	50,000+ hours
Distribution:	Type V
Weight:	13lbs



G300A / SLV

### PROJECT:

### TYPE:

#### Construction:

- Spun and stamped metal housing
- Die-Cast aluminum heatsink for maximum thermal protection
- Clear Acrylic Lens

#### Optics:

- Type V
- Indirect LED light output reduces glare from luminaire

#### Standard Mounting:

Junction box/pendant mount is standard (3/4" NPT stem by others)

#### Electrical:

- Integral driver
- Input voltage 120v-277v auto-sensing
- Power consumption 37W, 61W, or 79W
- Controls compatible
- Standard driver is 0-10v dimmable.

Can be used with OSR sensor or controller by others

#### Accessories:

- BG** - Bird guard (pendant only)
- HM** - Hook Mount

**ETL listed, suitable for wet locations.**

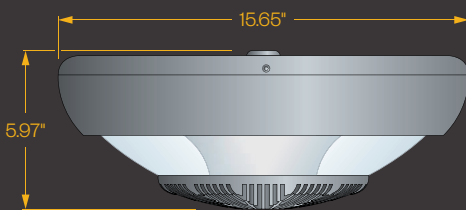
#### Optional Control:

**OSR** - IR Tech SmartDIM Occupancy Sensor

#### Finish:

Premium quality thermoset polyester powdercoat for a durable finish in the following:

Standard:	Premium:
<b>SLV</b> - Silver	<b>CSTM</b> - Custom (consult factory)



# Chaperone

LED Garage Luminaire



PROJECT:

TYPE:

## Ordering Information

3,000K and 5,000K are available at added cost and lead times. Contact factory.



**1** Model  
**G300A**

**4** Finish  
**SLV** -Silver  
**CSTM** -Custom

**2** Light Distribution  
**T5** - Type 5

**5** Optional Control  
**OSR** - IR Tech SmartDIM Occupancy Sensor

**3** Code  
**4L** - 700mA  
**4H** - 1,100mA  
**4VH** - 1,450mA

## Accessories Ordering Information



**1** Accessories  
**BG** - Bird Guard  
**HM** - Hook Mount

# Chaperone

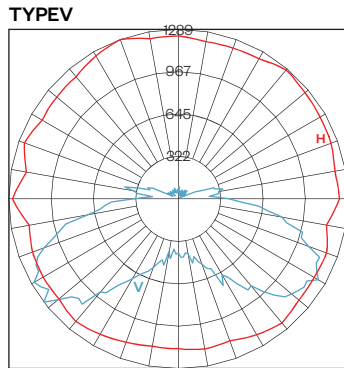
LED Garage Luminaire



**PROJECT:**

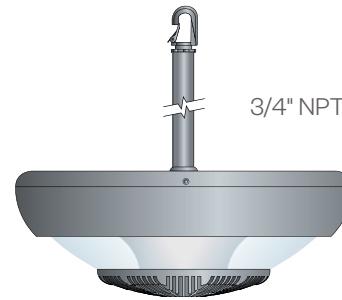
**TYPE:**

**Optical Performance:**



Maximum Candela = 1289.47  
 Located At Horizontal Angle = 110, Vertical Angle = 52.5  
 V - Vertical Plane Through Horizontal Angles  
 H - Horizontal Cone Through Vertical Angle

**Optional Mounting**



3/4" NPT Stem by others

Hook Mount (HM)

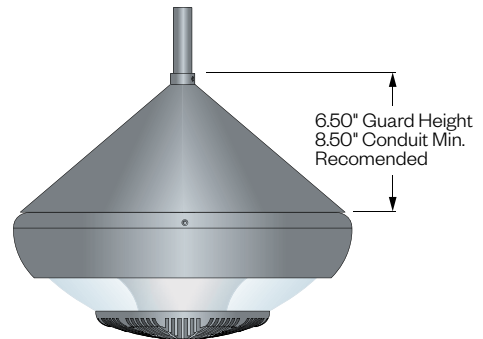
**Optional Controls:**

- OSR** – IR-TEC SmartDIM Occupancy Sensor
- 4 different control modes with adjustability within each
  - Omni-directional quad element infrared sensor
  - Ambient light sensor built-in
  - SmartDIM or multi-level high/low dim control
  - Remote programmable SmartDIM level setting (Up to 30 ft of remote programmable range)
  - Available with interchangeable lens options



Title 24 Compliant Occupancy sensor

**Accessory:**



6.50" Guard Height  
 8.50" Conduit Min. Recommended

Bird Guard (BG)  
 Pendant mount only  
 3/4" NPT Stem by others

**Performance Chart**

Code	CRI	Approx. Lumens	Total Efficacy	Drive Current	Nominal Input Power
<b>4L</b> (4,000K)	70	3,990	107 Lm/W	700mA	37W
<b>4H</b> (4,000K)	70	6,210	101 Lm/W	1,100mA	61W
<b>4VH</b> (4,000K)	70	6,980	88 Lm/W	1,450mA	89W