

GLOBAL TRACK

2 CIRCUIT/2 NEUTRAL 277V

HTEK
2CIR 277V

APPLICATIONS:

Power supply for Amerlux track lighting fixtures

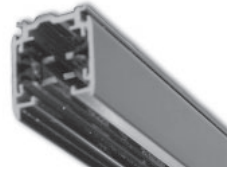
CONSTRUCTION:

Architectural grade, extruded aluminum housing
Milled grounding bar provides continuous ground contact
Continuously crimped conductor ensures mechanical strength and electrical reliability
Black, white or gray powder coat finish

MOUNTING:

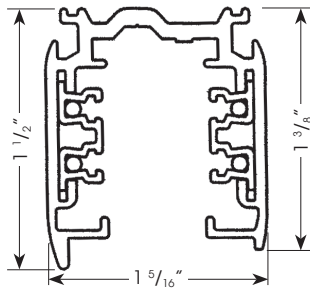
T-grid, threaded rod or aircraft cable suspension

LABELING:



PROJECT:

TYPE:



ELECTRICAL

2 circuit/2 neutral, 277v track
20 amps per circuit (originating from the same phase)

ORDERING INFORMATION:

TRACK Model	Finish	COMPONENTS (ordered separately) Model	Model	Finish
HTEK44 4' (48")	1 - gray	HTEK11 - live end, left	HTEK40 - T connector, adjustable left polarity	1 - gray
HTEK48 8' (96")	2 - black	HTEK12 - live end, right	TEK41 - dead end	2 - black
HTEK412 12' (144")	3 - white	HTEK14 - live center feed	636-0171K - T-bar clip assembly kit for 15/16" Flat T-Grid (for 9/16" Flat T-Grid consult factory)	3 - white
		TEK21 - straight connector		
		HTEK24 - adjustable connector		
		HTEK34 - L connector, feedable, adjustable universal polarity	636-0068 - cable gripper	
		HTEK38 - X connector, feedable	614-0005 - aircraft cable, 20ft	
		HTEK39 - T connector, feedable, adjustable right polarity	675-0094K - J-box cover	
			SKB12-1 - ceiling clamp (for cable and rod mounting, aluminum finish only)	
			XTSV12 - bending tool	

Example: HTEK48-2

Cat #:

Amerlux® reserves the right to change details that do not affect overall function and performance.



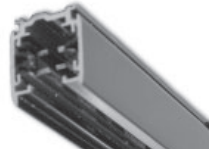
GLOBAL TRACK

2 CIRCUIT/2 NEUTRAL 277V

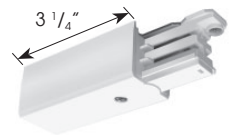
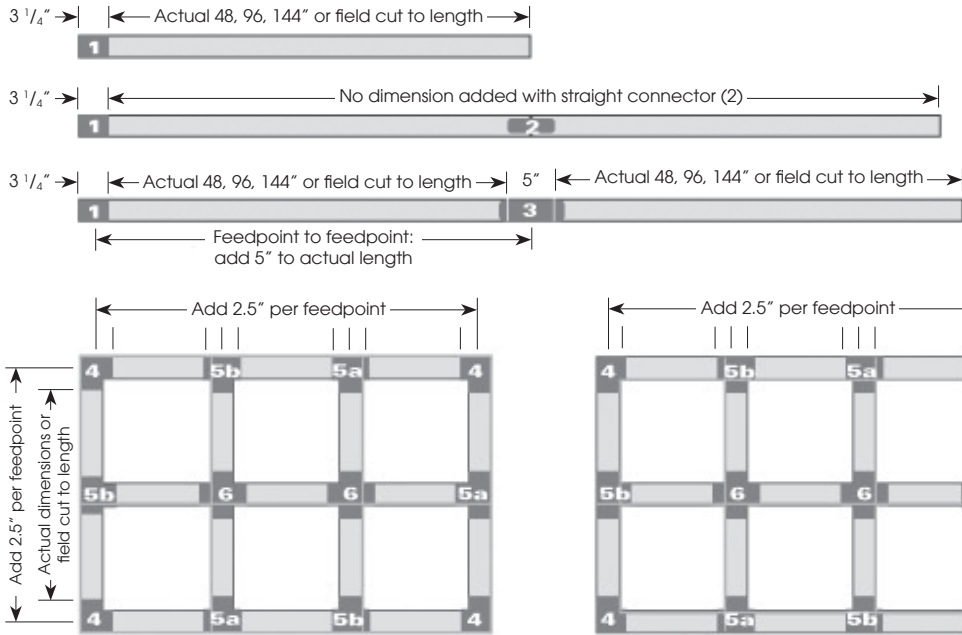


TYPE:

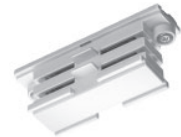
HTEK
2CIR 277V



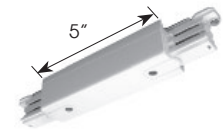
HTEK TRACK CONFIGURATION & COMPONENTS:



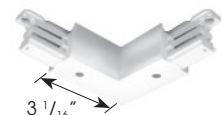
HTEK11 Live End (left) - standard
HTEK12 Live End (right)
(used for conduit feed also)



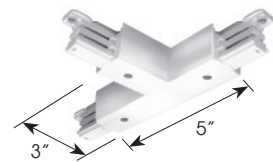
TEK21 Straight Connector



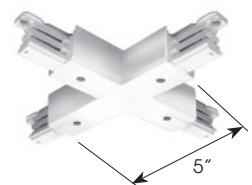
HTEK14 Live Center Feed



HTEK34 L Connector (feedable)
(adjustable universal polarity)



HTEK39 T Connector (feedable)
(adjustable right polarity)
HTEK40 T Connector (feedable)
(adjustable left polarity)



HTEK38 X Connector (feedable)

HTEK is polarized and manufactured with identifying ridges (the larger shown as a bold line on diagrams). Refer to these diagrams to ensure proper connector selection.

Installation Note: If powering the (2) 277V circuits utilized in HTEK Track, power **MUST** originate from the same phase to avoid a potential of a 480V condition between circuits.

- Additional Accessories (not pictured):**
 SKB12-1 Ceiling clamp
 636-0171K T-bar Clip Assembly
 Kit for 15/16" Flat T-Grid
 636-0068 Cable Gripper
 614-0005 A/C cable, 20ft
 675-0094K J-box Cover
 XTSV12 bending tool



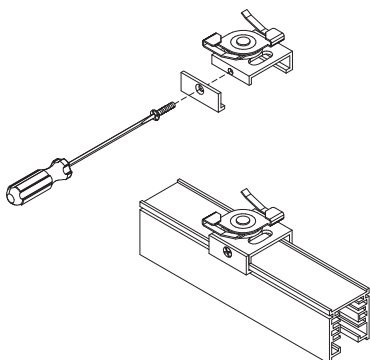
TEK41 Dead End



HTEK24 Adjustable Connector

SUSPENSION OPTIONS:

T-GRID SUSPENSION



AIRCRAFT CABLE SUSPENSION

