

CURRENT LIMITING DEVICE

GLOBAL TRACK 1 CIRCUIT 120V

ACL-GES
1 CIR 120V

APPLICATIONS:

Limits the amount of electrical load placed on a run of single circuit track to meet Energy Code restrictions

MOUNTING:

Surface mounts directly to a 4" octagonal box
Compatible with Global GES 1 circuit track systems
Remote and suspension mounting options, see following page

LABELING:



Title 24 CEC listed

CONSTRUCTION:

Cover:

Molded UL approved polycarbonate, color-matched to track components

Mounting Plate:

Stamped steel 16 ga. zinc plated
Integral track connector is keyed for polarity by order based on feed direction

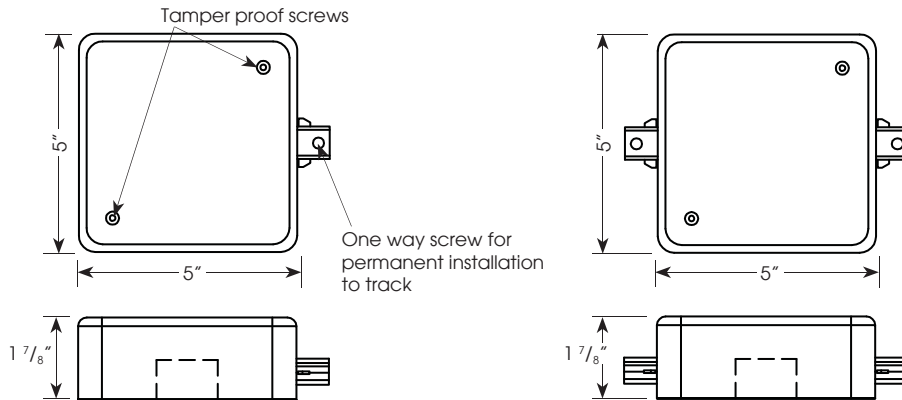
Circuit Breaker:

Integrated rocker style circuit breaker features ON/OFF markings
Snap-in circuit breaker contains screw terminals for 12 ga. copper conductors



PROJECT:

TYPE:



ELECTRICAL

120 v 60hz capacity
Integral circuit breaker in a variety of amp ratings

1 amp/120 watts	Amerlux recommends loading to not more than 80% of capacity to eliminate nuisance tripping
3 amps/360 watts	
5 amps/600 watts	
8 amps/960 watts	
10 amps/1200 watts	

ORDERING INFORMATION:

5 year limited warranty
AMERLUX LED
(see website for details)

Model	Finish	Amp Rating: Circuit Breaker 1	Circuit Breaker 2**
ACL-GES11 - current limiting device w/live end (left) feed	1 - silver gray w/black circuit breaker 2 - black w/black circuit breaker 3 - white w/white circuit breaker	<u>Standard Breakers</u>	<u>Standard Breakers</u>
ACL-GES12 - current limiting device w/live end (right) feed		1A	1A
ACL-GES14 - current limiting device w/middle feed		3A	3A
ACL-REM-120 - current limiting device, remote mounted, 120v (not Title 24 CEC listed)		5A	5A
		8A	8A
		10A	10A
ACL-GES11-SUS - current limiting device w/live end (left) feed, suspended with track		<u>Special Order (Non-standard*)</u>	<u>Special Order (Non-standard*)</u>
ACL-GES12-SUS - current limiting device w/live end (right) feed, suspended with track		0.5a	0.5A
ACL-GES14-SUS - current limiting device w/middle feed, suspended with track		1.5a	1.5A
		2a	2A
		2.5a	2.5A
		4a	4A
		6a	6A
		7a	7A
		9a	9A

*Note: Non-standard breaker size requires additional lead times, consult factory.
**Note: For use with ACL-GES14, ACL-REM-120 & ACL-GES14-SUS models only.

Example: ACL-GES11-3-5A

Cat #:

Amerlux reserves the right to change details that do not affect overall function and performance.



CURRENT LIMITING DEVICE

GLOBAL TRACK 1 CIRCUIT 120V

ACL-GES
1 CIR 120V



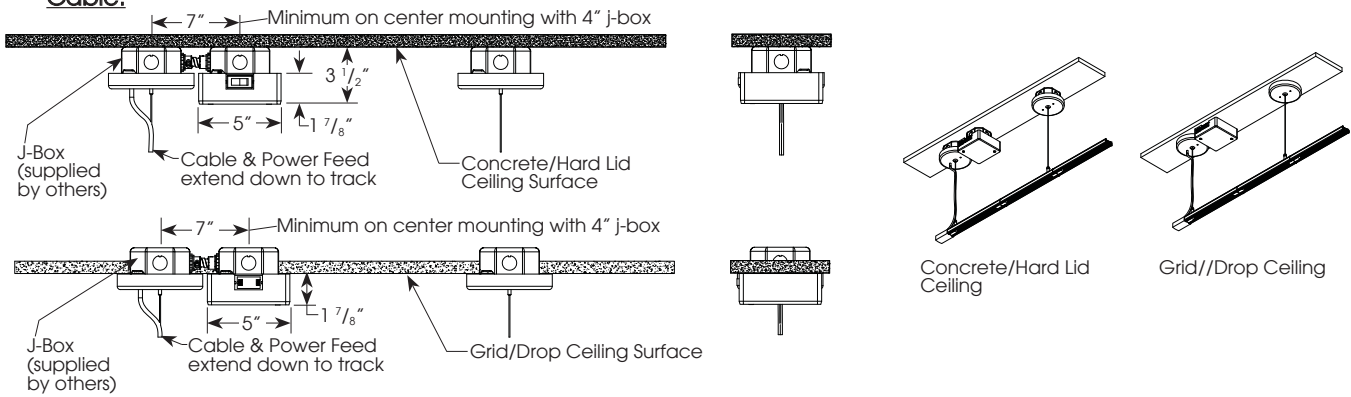
TYPE:



MOUNTING OPTIONS:

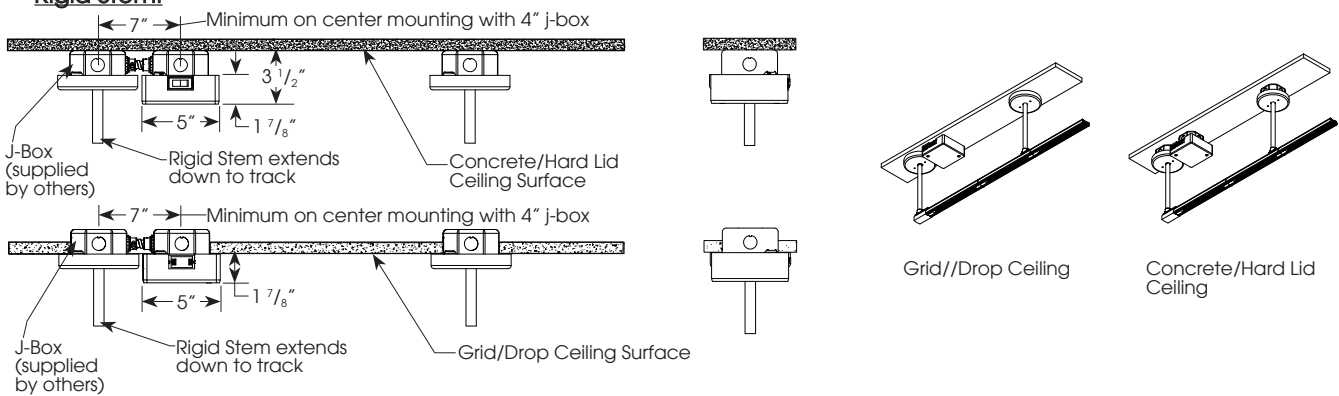
Remote Options:

Cable:



Note: Metal J-Box Canopies and A/C Cable Kits sold separately, consult factory.

Rigid Stem:



Note: Metal J-Box Canopy/Stem Kits sold separately, consult factory.

Suspension Options:

