

CURRENT LIMITING DEVICE

GLOBAL TRACK 2 CIRCUIT/2 NEUTRAL, 120V

ACL-TEK
2C/2N, 120V

APPLICATIONS:

Limits the amount of electrical load placed on a run of 2 circuit/2 neutral track to meet Energy Code restrictions

CONSTRUCTION:

Cover:

Molded UL approved polycarbonate, color-matched to track components

Mounting Plate:

Stamped steel 16 ga. zinc plated
Integral track connector is keyed for polarity by order based on feed direction

Circuit Breaker:

Integrated rocker style circuit breaker features ON/OFF markings

Snap-in circuit breaker contains screw terminals for 12 ga. copper conductors

MOUNTING:

Surface mounts directly to a 4" octagonal box
Compatible with Global TEK 2 circuit/2 neutral track

Remote and suspension mounting options, see following page

LABELING:

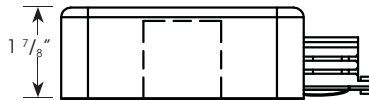
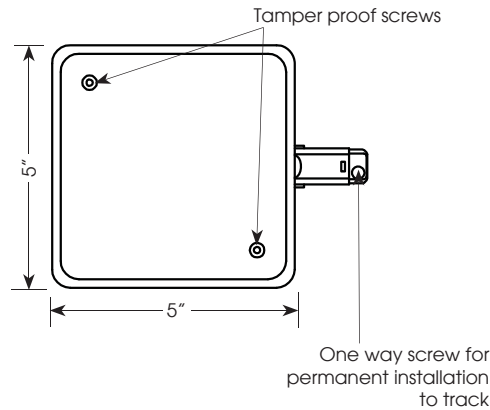


Title 24 CEC listed



PROJECT:

TYPE:



ELECTRICAL

120 v 60hz capacity
Integral circuit breaker in a variety of amp ratings

1 amp/120 watts
3 amps/360 watts
5 amps/600 watts
8 amps/960 watts
10 amps/1200 watts

Amerlux recommends loading to not more than 80% of capacity to eliminate nuisance tripping

ORDERING INFORMATION:

Model	Finish	Amp Rating	
		Circuit 1	Circuit 2
ACL-TEK11 - current limiting device with live end (left) feed	1 - silver gray w/black circuit breaker 2 - black w/black circuit breaker 3 - white w/white circuit breaker	<u>Standard Breakers</u>	
ACL-TEK12 - current limiting device with live end (right) feed		1A	1A
		3A	3A
		5A	5A
		8A	8A
		10A	10A
ACL-REM-120 - current limiting device, remote mounted, 120v (not Title 24 CEC listed)		<u>Special Order (Non-standard)</u>	
ACL-TEK11-SUS - current limiting device w/live end (left) feed, suspended with track		0.5A	0.5A
ACL-TEK12-SUS - current limiting device w/live end (right) feed, suspended with track		1.5A	1.5A
		2A	2A
		2.5A	2.5A
		4A	4A
		6A	6A
		7A	7A
		9A	9A

5 year limited warranty
AMERLUX LED

(see website for details)

Note: Non-standard breaker size requires additional lead times, consult factory.

Example: ACL-TEK11-3-5A-5A

Cat #:

Amerlux reserves the right to change details that do not affect overall function and performance.

CURRENT LIMITING DEVICE

GLOBAL TRACK 2 CIRCUIT/2 NEUTRAL, 120V

ACL-TEK
2C/2N, 120V



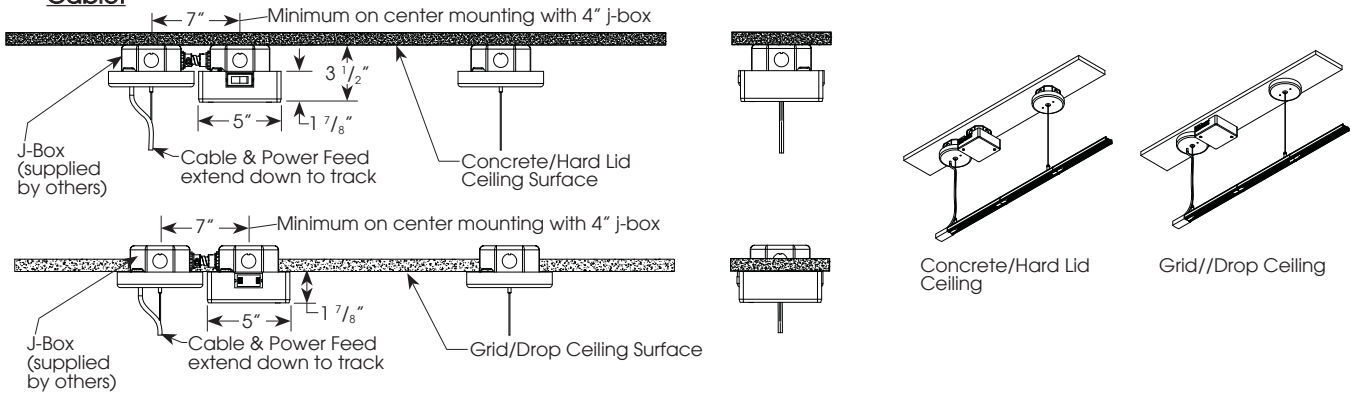
TYPE:



MOUNTING OPTIONS:

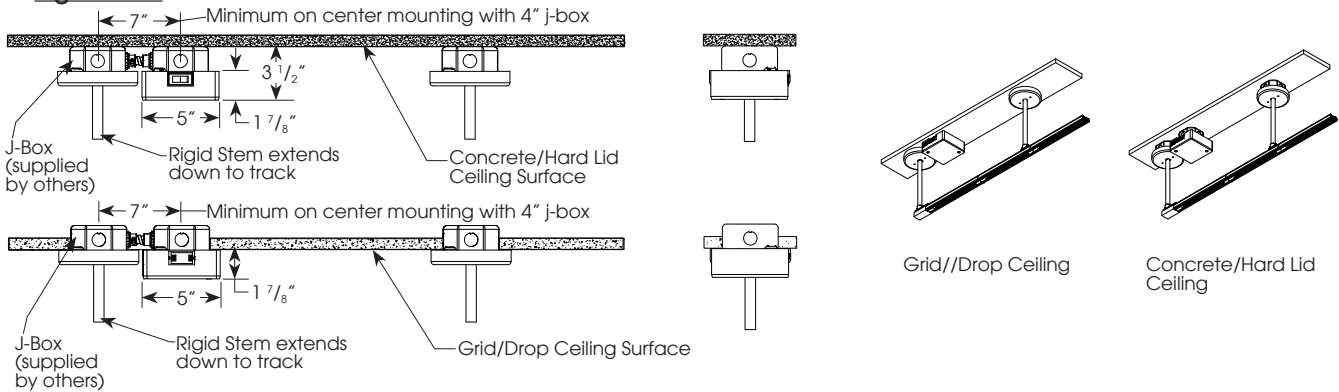
Remote Options:

Cable:



Note: Metal J-Box Canopies and A/C Cable Kits sold separately, consult factory.

Rigid Stem:



Note: Metal J-Box Canopy/Stem Kits sold separately, consult factory.

Suspension Options:

