

# EVOKE® GEN 2 FIATO

## 6" ROUND ADJUSTABLE LED

E6RA-G2-F  
LED

### APPLICATIONS:

Retail and commercial accent and display lighting

### CONSTRUCTION:

20 ga. steel painted matte black  
Formed aperture plate with 5/8" lip  
Integral adjustable locking mounting bars  
Thermally protected  
Die-cast lamp housing and heat sink

### REFLECTOR CONSTRUCTION:

Spun aluminum self-flanged reflector with angle cut  
Variety of anodized aperture finishes in both white and clear flange  
Steel mounting ring with torsion spring

### ELECTRICAL:

Electronic constant current LED driver (non-dim)  
120v or 277v input  
Optional ELV (120v only), 0-10V, and Lutron dimming  
**This product complies with IEEE C62.41 for surge endurance up to 2.5KV. Amerlux® recommends using additional surge protection with this unit (supplied by others), surge damage is not covered by warranty.**


### OPTICS:

0-40° tilt, 360°+ rotation  
LED cluster:  
Color Temp: 2700K, 3000K, 3500K, 4000K  
CRI: 80 (2700K, 3000K, 3500K, 4000K)  
90 (3000K)  
Life: 50,000 hrs  
Lumen Maintenance: >70% of initial lumens @ 50,000 hrs  
Lumen Output (3000K):  
27w                      33w                      38w  
Spot 1174 lm typ    1435 lm typ    1653 lm typ  
CBCP (30°, 3000K): up to 12,137 (38w)  
Beam options: Spot 10°, Narrow Flood 15°, Flood 25°,  
Wide Flood 40°  
Field interchangeable spun aluminum reflectors

### MOUNTING:

For use in T-grid or sheet rock ceilings

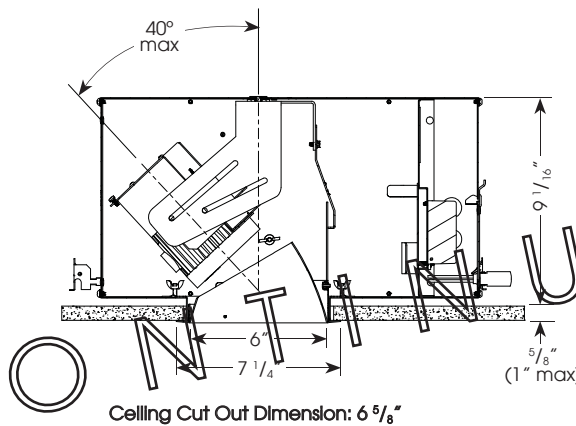
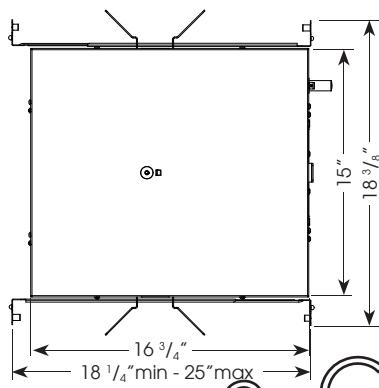
### LABELING:

 approved UL standard as tested by CSA  
For indoor use only



PROJECT:

TYPE:



### ELECTRICAL DISCS

Driver	27w		33w		38w	
	System Watts	Amps	System Watts	Amps	System Watts	Amps
Electronic 120v	27	.23	33	.28	38	.32
277v	27	.10	33	.12	38	.14

Class 2 constant current driver  
500mA (27w), 600mA (33w), 700 mA (38w)

### ORDERING INFORMATION:

HOUSING:							REFLECTOR:	
Model	Wattage	Lamp Type	Voltage	Beam Spread	Color Temp	Options	Model	Aperture Finish
E6RA-G2-F	27	LED	120	SP - spot, 10°	2700	DIM-ELV - ELV dimming (120v only) 0-10V - 0-10v dimming HILUME - Lutron Hi-Lume® EcoSystem 3 wire, 1% dimming	E6RA-G2	Reflector with white painted flange SDW - semi-diffuse white
	33		277	NF - narrow flood, 15°	3000			
	38		FL - flood, 25°	3500				
			WF - wide flood, 40°	4000				
					3000-90 (90CRI)		Reflector with clear flange (flange finish matches cone finish) SDC - semi-diffuse clear	

Complete Unit Example: E6RA-G2-F-38-LED-120-SP-3000/E6RA-G2-SDW

Housing Example: E6RA-G2-F-38-LED-120-SP-3000

Reflector Example: E6RA-G2-SDW

Cat #:

Amerlux® reserves the right to change details that do not affect overall function and performance.

Amerlux®, LLC • 178 Bauer Drive, Oakland NJ 07436 • p: 973.882.5010 f: 973-882.2605 • www.amerlux.com

LIT-1382 rev 11/17

