

# LINEA® 3.5" INDIRECT

LED LINEAR

LS35I  
LED

**APPLICATIONS:**

Commercial and retail indirect ambient lighting

**CONSTRUCTION:**

One piece extruded aluminum housing  
Internal components are die-formed galvanized and cold-rolled steel  
Individual housing lengths are 48 1/2" or 96 1/2"  
Consult factory for continuous rows  
High reflectance white finish. For other finishes, consult factory

**OPTICS:**

5w or 10w per foot  
Die-formed high reflectance white enamel reflector  
Clear lens optional

**ELECTRICAL:**

Electronic, multi-volt (120v-277v) constant current driver  
0-10v dimming standard

**This product complies with IEEE C62.41 for surge endurance up to 3KV. Amerlux® recommends using additional surge protection with this unit (supplied by others), surge damage is not covered by warranty.**

**Emergency circuit via remote inverter or auxiliary emergency power supply (by others)**

**MOUNTING:**

Aircraft cable suspension or wall mount option  
Fixtures may be continuously row-mounted, consult factory

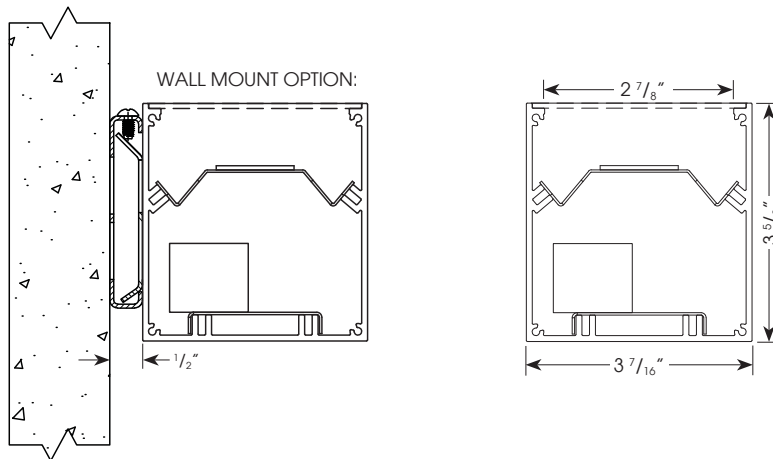
**LABELING:**

 pending



PROJECT:

TYPE:



  
Electrostatic sensitive device,  
observe precautions for  
handling

**ELECTRICAL**

Driver	Wattage per foot	Lamping						
		4'		8'				
		System watts	Amps	System watts	Amps			
Electronic	5	120v	21.7	0.18	43.8	0.36		
		277v	24.1	0.10	44.6	0.16		
	10	120v	47.3	0.39	94.6	0.78		
		277v	47.6	0.18	95.2	0.36		

**ORDERING INFORMATION:**

Model	Light Distr./ Shielding	Mounting	Wattage per Foot	Lamp Type	Color Temp	Finish	Length	Voltage	Configuration	Options
LS35I	OU - open, up UC - up with clear cover	ASW10 - aircraft cable with straight feed, 10' white, 10' WM - wall mount	5	LED	2700 3000 3500 4000	HW - high reflectance white - (other RAL)	4 8 (other to nearest ft)	120/277	IND - individual BOR - beginning of run MOR - middle of run EOR - end of run	HILUME-DH - Lutron Hi-lume® 3 wire, 1% dim HILUME-ECO - Lutron Hi-lume® EcoSystem, 1% dim

**10** year limited warranty  
AMERLUX LED

(see website for details)

Example: LS35I-OU-ASW10-10-LED-3000-HW-4-120/277-IND

Cat #:

Amerlux reserves the right to change details that do not affect overall function and performance.



# LINEA® 3.5" INDIRECT

LED LINEAR

LS35I  
LED



TYPE:

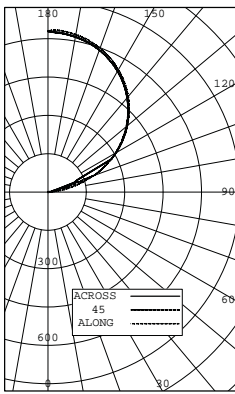


**FIXTURE DATA:**

Complete photometric data (ies format) available upon request.

LS35 INDIRECT 5W LED, 4' FT  
Lamp: white LEDS Lamp Lumens: 1811  
Pendent

LTL# 328926



**ZONAL LUMEN SUMMARY**

Zone	Lumens	%Fixt
180-150	496	27.38
180-140	820	45.27
180-120	1481	81.81
180-90	1811	100.00
140-90	991	54.73
120-90	329	18.19
0-90	0	0.00
0-180	1811	100.00

**Total Luminare Efficiency = 94.8%**

**COEFFICIENTS OF UTILIZATION**

Effective Floor Cavity Reflectance 20%

RC	80			
RW	70	50	30	10
RCR				
0	0.95	0.95	0.95	0.95
1	0.87	0.83	0.79	0.76
2	0.79	0.72	0.66	0.61
3	0.72	0.63	0.57	0.51
4	0.65	0.56	0.48	0.43
5	0.60	0.48	0.42	0.36
6	0.55	0.44	0.36	0.31
7	0.50	0.39	0.32	0.27
8	0.46	0.35	0.28	0.23
9	0.43	0.32	0.25	0.20
10	0.40	0.29	0.22	0.18