

EVOKE® ROUND LENS DOWNLIGHT

4.75" ROUND LENSED DOWNLIGHT LED

E4.75RLD-A14
LED

APPLICATION:

Commercial & hospitality ambient lighting

CONSTRUCTION:

20 ga. galvanized steel frame
18 ga. galvanized steel splice housing and hanger brackets
Die-cast aluminum heatsink
Wet location option adds silicone flange gasket

OPTICS:

Spun aluminum self-flanged reflector, anodized finish
High reflectance, highly diffuse mixing chamber
Engineered nano technology lens provides transmission while concealing LED image

LED:

Color Temp Options: 2700K, 3000K, 3500K, 4000K

CRI: 83 (2700K, 3000K, 3500K, 4000K)

90+ (2700K, 3000K)

Amerlux® Crisp White technology available

R9 Value: 1.1 (83 CRI), 55 (90+ CRI)

Life: 50,000 hrs

Lumen Maintenance: >70% of initial lumens @ 50,000 hrs

Lumen Output at 3000K:

| | | | |
|---------|---------|---------|---------|
| 16w | 21w | 30w | 34w |
| 1088 lm | 1427 lm | 2039 lm | 2311 lm |

ELECTRICAL:

Standard:

Electronic constant current LED driver, 120v or 277v input
ELV and Triac dimming standard, 120v or 277v.

This product complies with IEEE C62.41 for surge endurance up to 2.5KV. Amerlux recommends using additional surge protection with this unit (supplied by others), surge damage is not covered by warranty.

Options:

Dimming: 0-10v, DALI & Lutron Hi-Lume®/EcoSystem 3 wire
See following pages for more information

Emergency Battery Pack: IOTA ILB-CP05 Emergency battery pack with remote test switch, output of 5w (approx. 300 lumens) for 90 minutes.

MOUNTING:

For use in grid or sheetrock ceilings, max ceiling thickness 1"
Consult factory for other thicknesses
Hanger bars included

LABELING:

 approved to UL standards as tested by CSA

IC/AT rated (optional, 21w only)

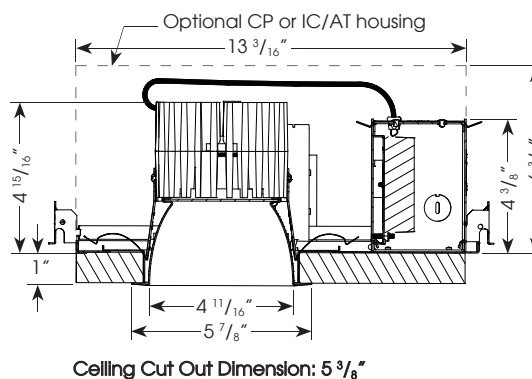
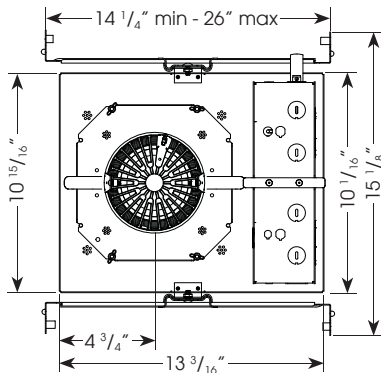
Damp location (standard)

Wet location (interior shower)



PROJECT:

TYPE:



ELECTRICAL

| Driver | 16w | | 21w | | 30w | | 34w | |
|-----------------|--------------|------|--------------|------|--------------|------|--------------|------|
| | System Watts | Amps | System Watts | Amps | System Watts | Amps | System Watts | Amps |
| Electronic 120v | 16 | 0.13 | 21 | 0.18 | 30 | 0.25 | 34 | 0.28 |
| 277v | 16 | 0.06 | 21 | 0.08 | 30 | 0.11 | 34 | 0.12 |

Class 2 constant current driver

Includes thermal protection, 2w power consumption

ORDERING INFORMATION:

| HOUSING: | | | | | REFLECTOR/LED OPTIC: | | | | |
|------------|---------|-----------|---------|--|--|-----------------------------|-----------------|----------------------|--------------------|
| Model | Wattage | Lamp Type | Voltage | Options | Model | Aperture Cone/Flange Finish | Beam Spread | Color Temp (CCT-CRI) | Options |
| E4.75R-A14 | 16 | LED | 120 | HILUME - Lutron Hi-Lume®/EcoSystem 3 wire, 1% dimming 0-10V - 0-10v dimming DALI - DALI driver EM - emergency battery pack with remote test switch (not for use on CP or IC/AT options) CP - Chicago Plenum (CCEA) (16w, 21w & 30w only) IC/AT - insulated ceiling/air tight (16w & 21w only) | E4.75RLD-A14 | SDW - semi-diffuse/white | VWF - very wide | 27 - 2700K-83 | WET - wet location |
| | 21 | | 277 | | MWW - matte white/white | wide | 30 - 3000K-83 | | |
| | 30 | | | | MBB - matte black/black | flood, 75° | 35 - 3500K-83 | | |
| | 34 | | | | SDC - semi-diffuse/clear (flange finish matches cone finish) | | 40 - 4000K-83 | | |
| | | | | | | | | 279 - 2700K-90+ | |
| | | | | | | | | 309 - 3000K-90+ | |
| | | | | | | | | CRISP - crisp white | |

Complete Unit Example: E4.75R-A14-34-LED-120/E4.75RLD-A14-MWW-VWF-30

Housing Example: E4.75R-A14-34-LED-120

Reflector Example: E4.75RLD-A14-MWW-VWF-30

Cat #:

Amerlux reserves the right to change details that do not affect overall function and performance.



(see next page for details)



(see website for details)

QUICKSHIP EVOKE® 4.75 DOWNLIGHT

4.75" ROUND LENSED DOWNLIGHT LED

E4.75RLD-A14
LED

Amerlux® QuickShip makes it possible not only to keep up with expectations, but to keep ahead of them. We help enhance your competitive edge, ensuring you can start installation more quickly than you thought possible.

We can ship within 5-10 business days of your Amerlux QuickShip order, depending upon the selection.

- **QuickShip must be clearly marked on all P.O.'s.**
- **Must note on P.O. if requesting frames ship first.**
- **Standard shipping terms apply.**
- **See terms & conditions below.**

Quantity: 100 pieces or less
Housing: 5 days
Trims: 10 days



PROJECT:

TYPE:

QUICKSHIP ORDERING INFORMATION:

| Housing: Model | Wattage | Lamp Type | Voltage | Options | Trim: Model | Aperture Cone/ Flange Finish | Beam Spread | Color Temp |
|-------------------|----------------|--------------|------------|---|----------------|---------------------------------|-------------------------------|--|
| E4.75R-A14 | 21 30 34 | LED | 120 277 | 0-10V - 0-10v dimming CP - Chicago Plenum (CCEA) (21w & 30w only) | E4.75RLD-A14 | MWW - matte white/ white | VWF - very wide flood, 60° | 83_CRI 30 - 3000K-83 35 - 3500K-83 |

Complete **QuickShip** Example: E4.75R-A14-21-LED-120/E4.75RLD-A14-MWW-VWF-30

Housing Example: E4.75R-A14-21-LED-120

Trim Example: E4.75RLD-A14-MWW-VWF-30

Cat #:

Terms & Conditions

1. For QuickShip processing, please submit QuickShip items on separate purchase order and indicate "QuickShip" on order.
2. Configurations outside of what is displayed on the QuickShip program are not available under the QuickShip lead times.
3. Please contact Customer Support to process orders with quantities larger than those listed.
4. Orders will be entered within 24 hours of receipt of a clean purchase order. Lead times are calculated by business days from time of sales order confirmation. Orders will ship within QuickShip lead times or sooner.
5. Change orders and order cancellations cannot be processed after sales order confirmation is generated.
6. For freight allowed (greater than \$3,000), order will ship complete based on longest lead time item. Please indicate on PO if Partial Shipments are approved and indicate freight method. For partial shipments under \$3,000, customer will be invoiced for freight.
7. All Lead times indicate when the fixture ships from Amerlux®. Arrival at destination is contingent upon carrier.

Expedite your orders by providing:

- **Separate purchase order noting "QuickShip Program"**
- **Complete and accurate configurations**
- **Accurate pricing, quote number, shipping and contact information**

Amerlux reserves the right to modify this program at any time.

EVOKE® ROUND LENS DOWNLIGHT

4.75" ROUND LENS DOWNLIGHT LED

E4.75RLD-A14
LED



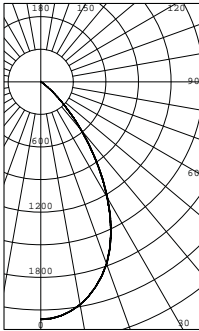
TYPE:



FIXTURE DATA: For 16w data, multiply by 0.47; For 21w data, multiply by 0.62; For 30w data, multiply by 0.88 Complete photometric data (ies format) available upon request.
CCT Correction Factors: 2700-83 = 0.96; 3500-83 = 1.02; 4000-83 = 1.04; 2700-90+ = 0.80; 3000-90+ = 0.83; CRISP = 0.65

34W LED, 3000K-83

VERY WIDE FLOOD
DISTRIBUTION
LTL # 843155

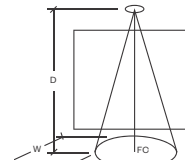


| Candelas at Nadir | |
|-------------------|---------|
| Deg | Candela |
| 0 | 2187 |
| 5 | 2161 |
| 15 | 1952 |
| 25 | 1530 |
| 35 | 889 |
| 45 | 317 |

APPLICATION DATA:

Notes and Definitions:

Beam spread is to 50% center beam candlepower (CBCP).
D=Distance to floor or wall.
FC=Footcandles on floor or wall at center beam aiming location.
L=Effective Visual Beam length in feet (50% of maximum footcandle level).
W=Effective Visual Beam width in feet (50% of maximum footcandle level).
CB=Distance across or down to center beam location.



SINGLE UNIT

0° Aiming Angle
Horizontal
Footcandle

| VERY WIDE FLOOD 30W | D | FC | L | W |
|---------------------------|------|------|------|-----|
| | 5.0' | 94 | 4.7 | 4.7 |
| 7.5' | 41 | 7.1 | 7.1 | |
| 10.0' | 23 | 9.5 | 9.5 | |
| 12.5' | 15 | 12.1 | 12.1 | |

MULTIPLE UNITS 50'x50' ROOM

VERY WIDE FLOOD, 30W, 10' MOUNTING HEIGHT

| Spacing | FC on Floor | FC at 2.5' AFF |
|---------|-------------|----------------|
| | (avg/max) | (avg/max) |
| 6'x6' | 19/71 | 17/71 |
| 8'x8' | 10/40 | 8/48 |
| 10'x10' | 9/29 | 7/42 |

EVOKE® ROUND LENS DOWNLIGHT

4.75" ROUND LENS DOWNLIGHT LED

E4.75RLD-A14
LED



TYPE:



DIMMING COMPATIBILITY:

Amerlux® fixtures are compatible with all major dimming protocols prevalent in the United States. Please see below for general compatibilities and wiring diagrams. Amerlux recommends testing your unique dimming configuration as the exact full configuration (Dimmer, Fixture Quantity, Voltage, etc) may affect dimming performance.

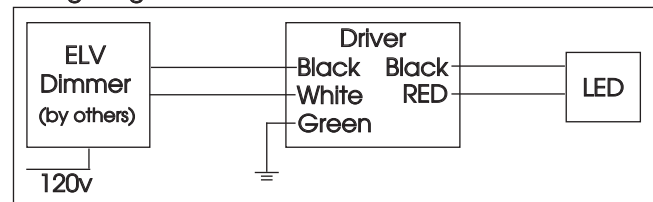
ELV - Electronic Low Voltage (Reverse Phase) DIMMING (standard)

Utilizes specialized "ELV" dimmers. Best for New Construction applications

Notes:

- 120v or 277v
- Dims down to less than 5% light output (most cases)
- Consult Dimming manufacturer for installation Instructions - DO NOT SHARE NEUTRALS!
- Must meet dimmer Minimum Load Requirements

Wiring Diagram



Compatible Dimmers

Wall Box (ELV Style)

Lutron "Diva"
Lutron "Nova-T"
Lutron "Maestro"
Leviton "Surslide"

Lutron "Vareo"
Lutron "Skylark"

Leviton "Vizio"

Central System

ETC "SR" Rack w/ELV10 Module
Lutron "GP" Panel with PHPM-PA Interface

ETC "DRD" Rack w/ELV10 Module
Lutron Grafix Eye QS with PHPM-PA Interface

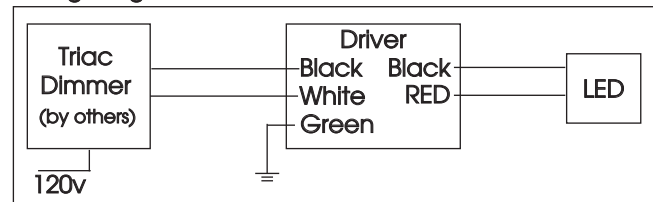
TRIAC (Forward Phase) DIMMING (standard)

Utilizes "Standard" incandescent dimmers that are in wide use in installations across the US. Best for retrofit applications where Triac dimmers are installed.

Notes:

- 120v or 277v
- Dims down to less than 5% light output (most cases)
- Consult Dimming manufacturer for installation Instructions - DO NOT SHARE NEUTRALS!
- Must meet dimmer Minimum Load Requirements per dimming manufacturer

Wiring Diagram



Compatible Dimmers

Wall Box (Incandescent Style, Wattage as required)

Lutron "Diva"
Lutron "Nova-T"
Lutron "Maestro"

Lutron "Vareo"
Lutron "Skylark"

Central System

ETC "SR" Rack w/D20 Module
Lutron "GP" Panel

ETC "DRD" Rack w/D20 Module
Lutron Grafix Eye QS

EVOKE® ROUND LENS DOWNLIGHT

4.75" ROUND LENS DOWNLIGHT LED

E4.75RLD-A14
LED



TYPE:



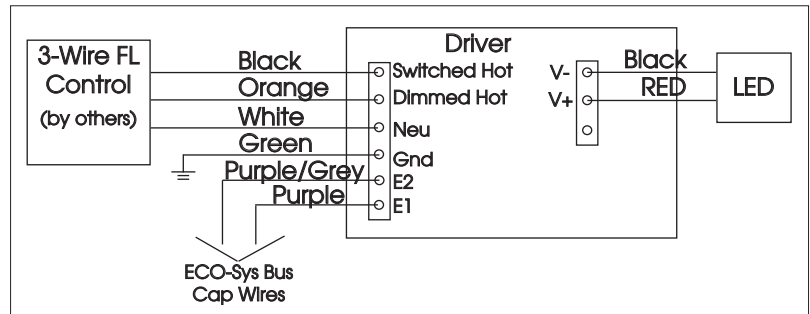
LUTRON HI-LUME / ECO-SYSTEM (-HILUME Option)

Integrates into a variety of building management and daylighting controls

Notes:

- 120v or 277v
- Dims down to less than 5% light output
- May use 3-Wire or Ecosystem Control
- Consult Dimming manufacturer for installation instructions - DO NOT SHARE NEUTRALS!

3-Wire Wiring Diagram



Compatible Dimmers

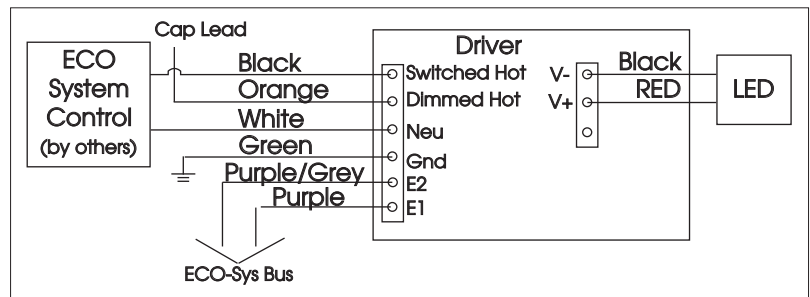
Wall Box (3-Wire Fluorescent)

DIVA
Maestro
Nova T
Vareo

Central System

Lutron ECO-System compatible controls
ETC "SR" Rack w/D20F Module
ETC "DRD" Rack w/D20F Module

ECO System Digital Control Wiring



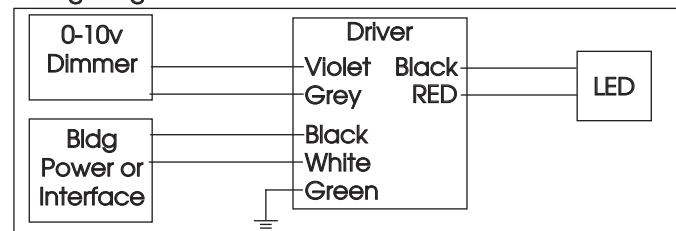
0-10V - DIMMING (-0-10V Option)

Integrates into a variety of building management and daylighting controls

Notes:

- 120v - 277v
- Dims down to less than 10% light output
- Requires interface to turn off power to driver
- Consult Dimming manufacturer for installation instructions - DO NOT SHARE NEUTRALS!

Wiring Diagram



Compatible Dimmers

Wall Box

Lutron "Diva" - DVTV with PP-120H Interface

Leviton Renoir II 0-10v

Central System

Lutron Grafix Eye with GRX-TVI Interface