

# EVOKE® ROUND LENS WALL WASH

## 4.75" ROUND LENS WALL WASH LED

E4.75RLW-A14  
LED

### APPLICATION:

Commercial & hospitality wall wash lighting

### CONSTRUCTION:

20 ga. galvanized steel frame  
18 ga. galvanized steel splice housing and hanger brackets  
Die-cast aluminum heatsink

### OPTICS:

Spun aluminum self-flanged reflector, anodized finish  
High reflectance, highly diffuse mixing chamber  
Engineered nano technology lens provides transmission while concealing LED image

### LED:

Color Temp Options: 2700K, 3000K, 3500K, 4000K

CRI: 83 (2700K, 3000K, 3500K, 4000K)

90+ (2700K, 3000K)

Amerlux® Crisp White technology available

R9 Value: 11 (83 CRI), 55 (90+CRI)

Life: 50,000 hrs

Lumen Maintenance: >70% of initial lumens @ 50,000 hrs

Lumen Output at 3000K:

16w	21w	30w	34w
993 lm	1304 lm	1863 lm	2111 lm

### ELECTRICAL:

#### Standard:

Electronic constant current LED driver, 120v or 277v input  
ELV and Triac dimming standard, 120v or 277v.

**This product complies with IEEE C62.41 for surge endurance up to 2.5KV. Amerlux recommends using additional surge protection with this unit (supplied by others), surge damage is not covered by warranty.**

#### Options:

**Dimming:** 0-10v and Lutron Hi-Lume®/EcoSystem 3 wire  
See following pages for more information

**Emergency Battery Pack:** IOTA ILB-CP05 Emergency battery pack with remote test switch, output of 5w (approx. 300 lumens) for 90 minutes.

### MOUNTING:

For use in grid or sheetrock ceilings

Max ceiling thickness 1". Consult factory for other thicknesses

### LABELING:

 approved to UL standards as tested by CSA

IC/AT rated (optional, 16w & 21w only)

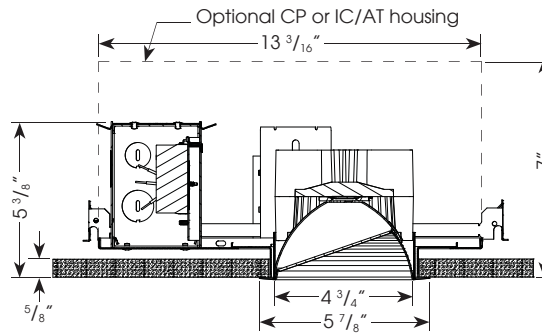
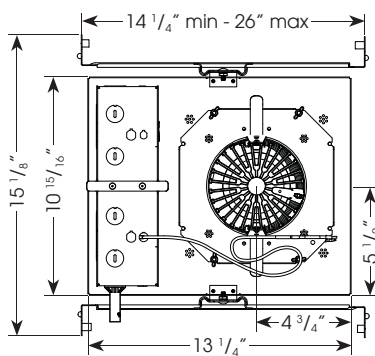
Damp location (standard)

Wet location option



PROJECT:

TYPE:



Celling Cut Out Dimension: 5 3/16"

### ELECTRICAL

Driver	16w		21w		30w		34w	
	System Watts	Amps	System Watts	Amps	System Watts	Amps	System Watts	Amps
Electronic 120v	16	0.13	21	0.18	30	0.25	34	0.28
277v	16	0.06	21	0.08	30	0.11	34	0.12

Class 2 constant current driver

Includes thermal protection, 2w power consumption

### ORDERING INFORMATION:

HOUSING:					REFLECTOR/LED OPTIC:				
Model	Wattage	Lamp Type	Voltage	Options	Model	Aperture Cone/Flange Finish	Beam Spread	Color Temp (CCT-CRI)	Options
E4.75R-A14	16	LED	120	HILUME - Lutron Hi-Lume®/EcoSystem 3 wire, 1% dimming 0-10V - 0-10v dimming EM - emergency battery pack with remote test switch CP - Chicago Plenum (CCEA) (16w, 21w & 30w only) IC/AT - insulated ceiling/air tight (16w & 21w only)	E4.75RLW-A14	SDW - semi-diffuse/white MWW - matte white/white MBB - matte black/black	WW - wall wash	27 - 2700K-83	WET - wet location
	21		277					30 - 3000K-83	
	30							35 - 3500K-83	
	34						SDC - semi-diffuse/clear (flange finish matches cone finish)	40 - 4000K-83	
								279 - 2700K-90+	
								309 - 3000K-90+	
								CRISP - crisp white	

Complete Unit Example: E4.75R-A14-34-LED-120/E4.75RLW-A14-SD-W-WW-30

Housing Example: E4.75R-A14-34-LED-120

Reflector Example: E4.75RLW-A14-SD-W-WW-30

Cat #:



Electrostatic sensitive device, observe precautions for handling



(see next page for details)



5 year limited warranty  
AMERLUX LED

(see website for details)

Amerlux reserves the right to change details that do not affect overall function and performance.



# QUICKSHIP

## EVOKE® 4.75 DOWNLIGHT

4.75" ROUND LENSED WALL WASH LED

E4.75RLW-A14  
LED

Amerlux® QuickShip makes it possible not only to keep up with expectations, but to keep ahead of them. We help enhance your competitive edge, ensuring you can start installation more quickly than you thought possible.

We can ship within 5-10 business days of your Amerlux QuickShip order, depending upon the selection.

- **QuickShip must be clearly marked on all P.O's.**
- **Must note on P.O. if requesting frames ship first.**
- **Standard shipping terms apply.**
- **See terms & conditions below.**

**Quantity:** 100 pieces or less  
Housing: 5 days  
Trims: 10 days



PROJECT:

TYPE:

### QUICKSHIP ORDERING INFORMATION:

Housing:					Trim:			
Model	Wattage	Lamp Type	Voltage	Options	Model	Aperture Cone Finish/ Flange Finish	Beam Spread	Color Temp
E4.75R-A14	21 30 34	LED	120 277	0-10V - 0-10v dimming CP - Chicago Plenum (CCEA) (21w & 30w only)	E4.75RLW-A14	MW - matte white/white	VWF - very wide flood, 60°	83 CRI 30 - 3000K-83 35 - 3500K-83

Complete **QuickShip** Example: E4.75R-A14-21-LED-120/E4.75RLW-A14-MW-W-VWF-30  
Housing Example: E4.75R-A14-21-LED-120  
Trim Example: E4.75RLW-A14-MW-W-VWF-30

Cat #:

## Terms & Conditions

1. For QuickShip processing, please submit QuickShip items on separate purchase order and indicate "QuickShip" on order.
2. Configurations outside of what is displayed on the QuickShip program are not available under the QuickShip lead times.
3. Please contact Customer Support to process orders with quantities larger than those listed.
4. Orders will be entered within 24 hours of receipt of a clean purchase order. Lead times are calculated by business days from time of sales order confirmation. Orders will ship within QuickShip lead times or sooner.
5. Change orders and order cancellations cannot be processed after sales order confirmation is generated.
6. For freight allowed (greater than \$3,000), order will ship complete based on longest lead time item. Please indicate on PO if Partial Shipments are approved and indicate freight method. For partial shipments under \$3,000, customer will be invoiced for freight.
7. All Lead times indicate when the fixture ships from Amerlux®. Arrival at destination is contingent upon carrier.

**Expedite your orders by providing:**

- **Separate purchase order noting "QuickShip Program"**
- **Complete and accurate configurations**
- **Accurate pricing, quote number, shipping and contact information**

**Amerlux reserves the right to modify this program at any time.**

# EVOKE® ROUND LENS WALL WASH

4.75" ROUND LENS WALL WASH LED

E4.75RLW-A14  
LED



TYPE:



**FIXTURE DATA:** For 16w data, multiply by 0.47; For 21w data, multiply by 0.62; For 30w data, multiply by 0.88 Complete photometric data (ies format) available upon request.  
CCT Correction Factors: 2700-83 = 0.96; 3500-83 = 1.02; 4000-83 = 1.04; 2700-90+ = 0.80; 3000-90+ = 0.83; CRISP = 0.65

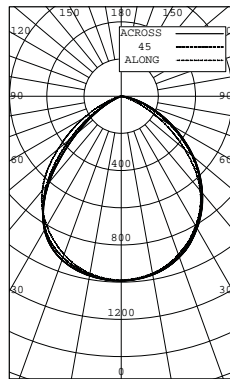
Evoked 4.75" Round Lens Wall Washer A14 34w LED  
Source: 1 white LED array; Source Lumens: 2111  
Recessed

**ZONAL LUMEN SUMMARY**

Zone	Lumens	%Fixt
0-30	763	36.14
0-40	1223	57.95
0-60	1929	91.38
0-90	2111	100.0
40-90	888	42.05
60-90	182	8.62
90-180	0	0.00
0-180	2111	100.0

Efficacy (lm/w): 61.5

LTL# 843157



**APPLICATION DATA:**

Footcandles are average and rounded off.  
Data for multiple units are based on a minimum of five units.

**34W LED**

**Footcandles on Wall**

2 Feet From Wall

Distance from ceiling	2'		2'	
	1	2	3	4
0.5'	28	25	28	24
1.5'	97	95	97	95
2.5'	91	92	95	92
3.5'	66	69	70	69
4.5'	47	49	50	49
5.5'	34	35	36	35
6.5'	25	26	27	26
7.5'	20	21	21	20
8.5'	17	17	17	17

2 Feet From Wall

Distance from ceiling	3'				3'			
	1	2	3	4	5	6	7	8
1'	24	17	17	24	17	17	24	24
2'	73	62	63	73	62	63	73	73
3'	65	64	64	66	64	64	65	65
4'	49	49	49	50	49	49	49	49
5'	34	36	37	37	37	36	35	35
6'	27	27	28	28	28	27	26	26
7'	21	21	22	22	22	21	21	21
8'	17	17	18	18	18	17	17	17
9'	14	15	15	15	15	15	14	14

3 Feet From Wall

Distance from ceiling	3'				3'			
	1	2	3	4	5	6	7	8
1'	8	8	8	9	8	8	9	9
2'	33	33	33	34	33	33	34	34
3'	46	46	46	47	46	46	47	47
4'	44	44	45	46	45	45	44	44
5'	37	38	39	39	39	38	37	37
6'	30	31	32	32	32	31	30	30
7'	25	25	26	26	26	26	25	25
8'	20	21	21	22	22	21	21	21
9'	17	18	18	18	18	18	18	18

# EVOKE® ROUND LENS WALL WASH

4.75" ROUND LENS WALL WASH LED

E4.75RLW-A14  
LED



TYPE:



## DIMMING COMPATIBILITY:

Amerlux® "Evoke 4.75" fixtures are compatible with all major dimming protocols prevalent in the United States. Please see below for general compatibilities and wiring diagrams. Amerlux recommends testing your unique dimming configuration as the exact full configuration (Dimmer, Fixture Quantity, Voltage, etc) may affect dimming performance.

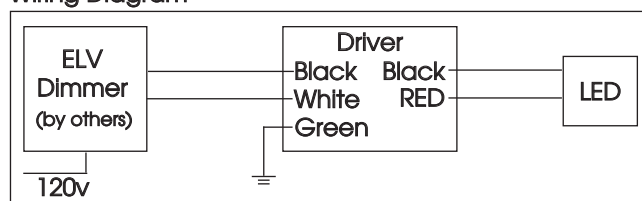
### ELV - Electronic Low Voltage (Reverse Phase) DIMMING (standard)

Utilizes specialized "ELV" dimmers. Best for New Construction applications

#### Notes:

- 120v or 277
- Dims down to less than 5% light output (most cases)
- Consult Dimming manufacturer for installation Instructions - DO NOT SHARE NEUTRALS!
- Must meet dimmer Minimum Load Requirements

#### Wiring Diagram



#### Compatible Dimmers

##### Wall Box (ELV Style)

Lutron "Diva"  
Lutron "Nova-T"  
Lutron "Maestro"  
Leviton "Surslide"

Lutron "Vareo"  
Lutron "Skylark"  
  
Leviton "Vizio"

##### Central System

ETC "SR" Rack w/ELV10 Module  
Lutron "GP" Panel with PHPM-PA Interface

ETC "DRD" Rack w/ELV10 Module  
Lutron Grafix Eye QS with PHPM-PA Interface

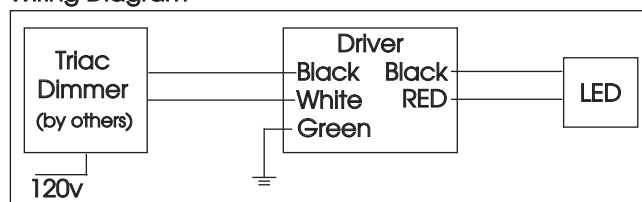
### TRIAC (Forward Phase) DIMMING (standard)

Utilizes "Standard" incandescent dimmers that are in wide use in installations across the US. Best for retrofit applications where Triac dimmers are installed.

#### Notes:

- 120v or 277v
- Dims down to less than 5% light output (most cases)
- Consult Dimming manufacturer for installation Instructions - DO NOT SHARE NEUTRALS!
- Must meet dimmer Minimum Load Requirements per dimming manufacturer

#### Wiring Diagram



#### Compatible Dimmers

##### Wall Box (Incandescent Style, Wattage as required)

Lutron "Diva"  
Lutron "Nova-T"  
Lutron "Maestro"

Lutron "Vareo"  
Lutron "Skylark"

##### Central System

ETC "SR" Rack w/D20 Module  
Lutron "GP" Panel

ETC "DRD" Rack w/D20 Module  
Lutron Grafix Eye QS

# EVOKE® ROUND LENS WALL WASH

4.75" ROUND LENS WALL WASH LED

E4.75RLW-A14  
LED



TYPE:



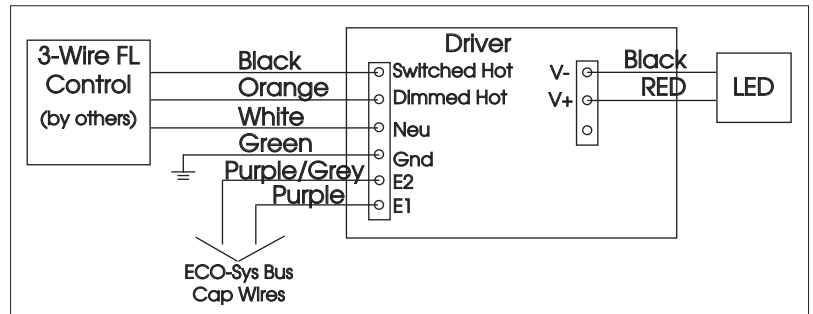
## LUTRON HI-LUME / ECO-SYSTEM (-HILUME Option)

Integrates into a variety of building management and daylighting controls

### Notes:

- 120v or 277v
- Dims down to less than 5% light output
- May use 3-Wire or Ecosystem Control
- Consult Dimming manufacturer for installation instructions - DO NOT SHARE NEUTRALS!

### 3-Wire Wiring Diagram



### Compatible Dimmers

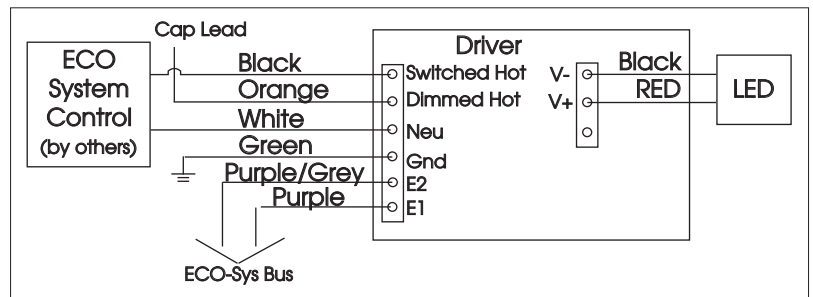
#### Wall Box (3-Wire Fluorescent)

DIVA  
Maestro  
Nova T  
Vareo

#### Central System

Lutron ECO-System compatible controls  
ETC "SR" Rack w/D20F Module  
ETC "DRD" Rack w/D20F Module

### ECO System Digital Control Wiring



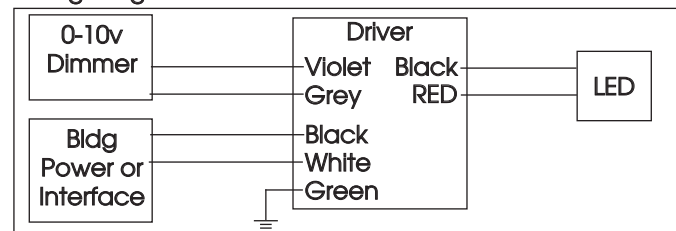
## 0-10V - DIMMING (-0-10V Option)

Integrates into a variety of building management and daylighting controls

### Notes:

- 120v - 277v
- Dims down to less than 10% light output
- Requires interface to turn off power to driver
- Consult Dimming manufacturer for installation instructions - DO NOT SHARE NEUTRALS!

### Wiring Diagram



### Compatible Dimmers

#### Wall Box

Lutron "Diva" - DVTV with PP-120H Interface

Leviton Renoir II 0-10v

#### Central System

Lutron Grafix Eye with GRX-TVI Interface