

EVOKE® SQUARE LENS WALL WASH

4.75" SQUARE LENS WALL WASHER LED

E4.75SLW-A14
LED

APPLICATION:

Commercial & hospitality wall wash lighting

CONSTRUCTION:

20 ga. galvanized steel frame
18 ga. galvanized steel splice housing and hanger brackets
Die-cast aluminum heatsink
Adjustable aperture plate alignment

OPTICS:

Die-cast aluminum seamless square trim
High reflectance, highly diffuse mixing chamber
Engineered nano technology lens provides transmission while concealing LED image

LED:

Color Temp Options: 2700K, 3000K, 3500K, 4000K

CRI: 83 (2700K, 3000K, 3500K, 4000K)

90+ (2700K, 3000K)

Amerlux® Crisp White technology available

R9 Value: 11 (83 CRI), 55 (90+ CRI)

Life: 50,000 hrs

Lumen Maintenance: >70% of initial lumens @ 50,000 hrs

Lumen Output at 3000K (estimated):

16w	21w	30w	34w
1076 lm	1413 lm	2018 lm	2287 lm

ELECTRICAL:

Standard:

Electronic constant current LED driver, 120v or 277v input
ELV and Triac dimming standard, 120v or 277v.

This product complies with IEEE C62.41 for surge endurance up to 2.5KV. Amerlux recommends using additional surge protection with this unit (supplied by others), surge damage is not covered by warranty.

Options:

Dimming: 0-10v and Lutron Hi-Lume®/EcoSystem 3 wire
See following pages for more information

Emergency Battery Pack: IOTA ILB-CP05 Emergency battery pack with remote test switch, output of 5w (approx. 300 lumens) for 90 minutes.

MOUNTING:

For use in grid or sheetrock ceilings

Max ceiling thickness 1", consult factory for other thicknesses

LABELING:

 approved to UL standards as tested by CSA

IC/AT rated (optional, 16w & 21w only)

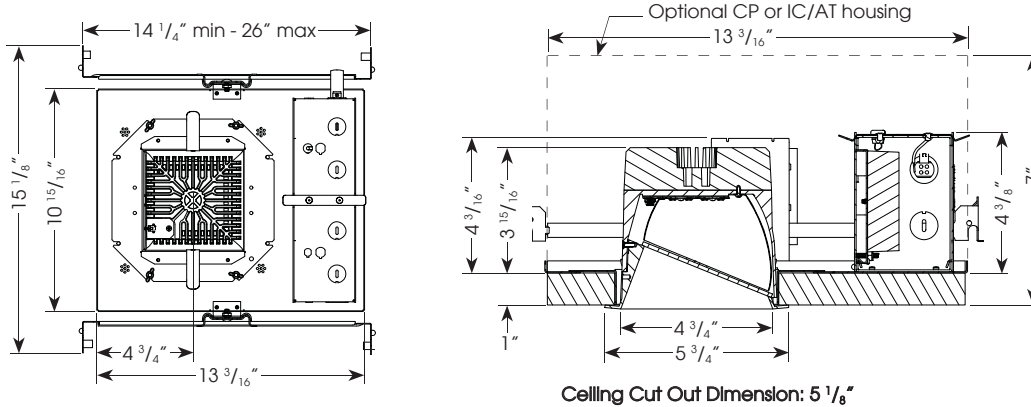
Damp location (standard)

Wet location option



PROJECT:

TYPE:



Ceiling Cut Out Dimension: 5 1/8"

ELECTRICAL

Driver	16w		21w		30w		34w	
	System Watts	Amps	System Watts	Amps	System Watts	Amps	System Watts	Amps
Electronic 120v	16	0.13	21	0.18	30	0.25	34	0.28
277v	16	0.06	21	0.08	30	0.11	34	0.12

Class 2 constant current driver

Includes thermal protection, 2w power consumption

ORDERING INFORMATION:

HOUSING:					REFLECTOR/LED OPTIC:				
Model	Wattage	Lamp Type	Voltage	Options	Model	Aperture Finish/ Flange Finish	Beam Spread	Color Temp (CCT-CRI)	Options
E4.75S-A14	16	LED	120	HILUME - Lutron Hi-Lume®/EcoSystem 3 wire, 1% dimming 0-10V - 0-10v dimming EM - emergency battery pack with remote test switch CP - Chicago Plenum (CCEA) (16w, 21w & 30w only) IC/AT - insulated ceiling/air tight (16w & 21w only)	E4.75SLW-A14	MWW - matte white/ white	WW - wall wash	27 - 2700K-83 30 - 3000K-83 35 - 3500K-83 40 - 4000K-83	WET - wet location 279 - 2700K-90+ 309 - 3000K-90+ CRISP - crisp white
	21		277			MBW - matte black/ white			
	30					SLVW - silver/white			
	34					MBB - matte black/ black			

Complete Unit Example: E4.75S-A14-34-LED-120/E4.75SLW-A14-MW-W-WW-30

Housing Example: E4.75S-A14-34-LED-120

Reflector Example: E4.75SLW-A14-MW-W-WW-30

Cat #:

Amerlux reserves the right to change details that do not affect overall function and performance.



(see next page for details)



(see website for details)

QUICKSHIP

EVOKE® 4.75 DOWNLIGHT

4.75" SQUARE LENSED WALL WASH LED

E4.75SLW-A14
LED

Amerlux® QuickShip makes it possible not only to keep up with expectations, but to keep ahead of them. We help enhance your competitive edge, ensuring you can start installation more quickly than you thought possible.

We can ship within 5-10 business days of your Amerlux QuickShip order, depending upon the selection.

- **QuickShip must be clearly marked on all P.O.'s.**
- **Must note on P.O. if requesting frames ship first.**
- **Standard shipping terms apply.**
- **See terms & conditions below.**

Quantity: 100 pieces or less
Housing: 5 days
Trims: 10 days



PROJECT:

TYPE:

QUICKSHIP ORDERING INFORMATION:

Housing:				Trim:			
Model	Wattage	Lamp Type	Voltage	Options	Model	Aperture Cone Finish/Flange Finish	Color Temp
E4.75S-A14	21 30 34	LED	120 277	0-10V - 0-10v dimming CP - Chicago Plenum (CCEA) (21w & 30w only)	E4.75SLW-A14	MWW - matte white/white	83 CRI 30 - 3000K-83 35 - 3500K-83

Complete **QuickShip** Example: E4.75S-A14-21-LED-120/E4.75SLW-A14-MW-W-VWF-30
Housing Example: E4.75S-A14-21-LED-120
Trim Example: E4.75SLW-A14-MW-W-VWF-30

Cat #:

Terms & Conditions

1. For QuickShip processing, please submit QuickShip items on separate purchase order and indicate "QuickShip" on order.
2. Configurations outside of what is displayed on the QuickShip program are not available under the QuickShip lead times.
3. Please contact Customer Support to process orders with quantities larger than those listed.
4. Orders will be entered within 24 hours of receipt of a clean purchase order. Lead times are calculated by business days from time of sales order confirmation. Orders will ship within QuickShip lead times or sooner.
5. Change orders and order cancellations cannot be processed after sales order confirmation is generated.
6. For freight allowed (greater than \$3,000), order will ship complete based on longest lead time item. Please indicate on PO if Partial Shipments are approved and indicate freight method. For partial shipments under \$3,000, customer will be invoiced for freight.
7. All Lead times indicate when the fixture ships from Amerlux®. Arrival at destination is contingent upon carrier.

Expedite your orders by providing:

- **Separate purchase order noting "QuickShip Program"**
- **Complete and accurate configurations**
- **Accurate pricing, quote number, shipping and contact information**

Amerlux reserves the right to modify this program at any time.

EVOKE® SQUARE LENS WALL WASH

4.75" SQUARE LENS WALL WASHER LED

E4.75SLW-A14
LED



TYPE:



FIXTURE DATA: For 16w data, multiply by 0.47; For 21w data, multiply by 0.62; For 30w data, multiply by 0.88 Complete photometric data (ies format) available upon request.

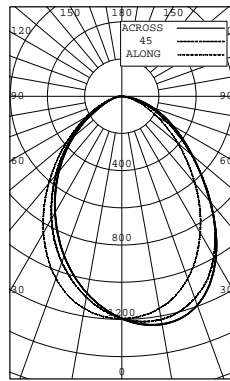
Evoked 4.75" Square Lens Wall Washer A14 34w LED
Source: 1 white LED array; Source Lumens: 2287
Recessed

ZONAL LUMEN SUMMARY

Zone	Lumens	%Fixt
0-30	868	37.96
0-40	1337	58.47
0-60	2027	88.62
0-90	2287	100.0
40-90	950	41.53
60-90	260	11.38
90-180	0	0.00
0-180	2287	100.0

Efficacy (lm/w): 67.3

LTL# 843153



APPLICATION DATA:

Footcandles are average and rounded off.
Data for multiple units are based on a minimum of five units.

34W LED

Footcandles on Wall

2 Feet From Wall

Distance from ceiling	2'		2'	
	1	2	3	4
0.5'	38	34	38	34
1.5'	95	93	97	93
2.5'	96	97	99	97
3.5'	75	78	79	78
4.5'	55	57	58	57
5.5'	40	42	43	42
6.5'	30	32	32	30
7.5'	24	25	25	24
8.5'	20	21	21	20

2 Feet From Wall

Distance from ceiling	3'			3'		
	1	2	3	4	5	6
1'	32	23	23	32	23	23
2'	72	60	61	72	61	61
3'	69	67	67	70	67	67
4'	55	55	55	56	55	55
5'	41	41	42	42	42	41
6'	31	32	32	32	32	31
7'	24	25	25	25	25	24
8'	20	20	21	21	20	20
9'	17	18	18	18	17	17

3 Feet From Wall

Distance from ceiling	3'			3'		
	1	2	3	4	5	6
1'	12	12	12	13	12	12
2'	35	34	34	36	34	34
3'	45	45	45	47	45	45
4'	46	46	47	47	47	46
5'	41	41	42	43	43	41
6'	34	36	36	36	36	34
7'	29	30	30	30	30	29
8'	24	25	25	25	25	24
9'	20	21	21	22	22	21

EVOKE® SQUARE LENS WALL WASH

4.75" SQUARE LENS WALL WASHER LED

E4.75SLW-A14
LED



TYPE:



DIMMING COMPATIBILITY:

Amerlux® "Evoke 4.75" fixtures are compatible with all major dimming protocols prevalent in the United States. Please see below for general compatibilities and wiring diagrams. Amerlux recommends testing your unique dimming configuration as the exact full configuration (Dimmer, Fixture Quantity, Voltage, etc) may affect dimming performance.

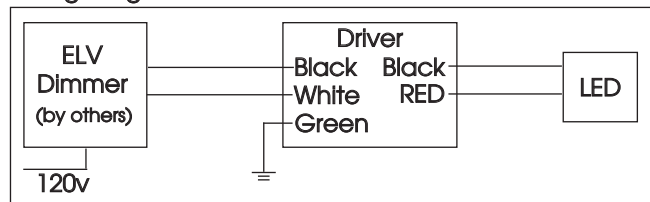
ELV - Electronic Low Voltage (Reverse Phase) DIMMING (standard)

Utilizes specialized "ELV" dimmers. Best for New Construction applications

Notes:

- 120v or 277v
- Dims down to less than 5% light output (most cases)
- Consult Dimming manufacturer for installation Instructions - DO NOT SHARE NEUTRALS!
- Must meet dimmer Minimum Load Requirements

Wiring Diagram



Compatible Dimmers

Wall Box (ELV Style)

Lutron "Diva"
Lutron "Nova-T"
Lutron "Maestro"
Leviton "Surslide"

Lutron "Vareo"
Lutron "Skylark"

Leviton "Vizio"

Central System

ETC "SR" Rack w/ELV10 Module
Lutron "GP" Panel with PHPM-PA Interface

ETC "DRD" Rack w/ELV10 Module
Lutron Grafix Eye QS with PHPM-PA Interface

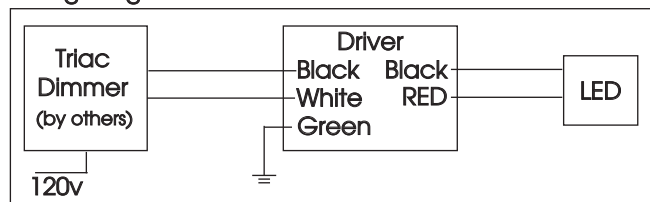
TRIAC (Forward Phase) DIMMING (standard)

Utilizes "Standard" incandescent dimmers that are in wide use in installations across the US. Best for retrofit applications where Triac dimmers are installed.

Notes:

- 120v or 277v
- Dims down to less than 5% light output (most cases)
- Consult Dimming manufacturer for installation Instructions - DO NOT SHARE NEUTRALS!
- Must meet dimmer Minimum Load Requirements per dimming manufacturer

Wiring Diagram



Compatible Dimmers

Wall Box (Incandescent Style, Wattage as required)

Lutron "Diva"
Lutron "Nova-T"
Lutron "Maestro"

Lutron "Vareo"
Lutron "Skylark"

Central System

ETC "SR" Rack w/D20 Module
Lutron "GP" Panel

ETC "DRD" Rack w/D20 Module
Lutron Grafix Eye QS

EVOKE® SQUARE LENS WALL WASH

4.75" SQUARE LENS WALL WASHER LED

E4.75SLW-A14
LED



TYPE:



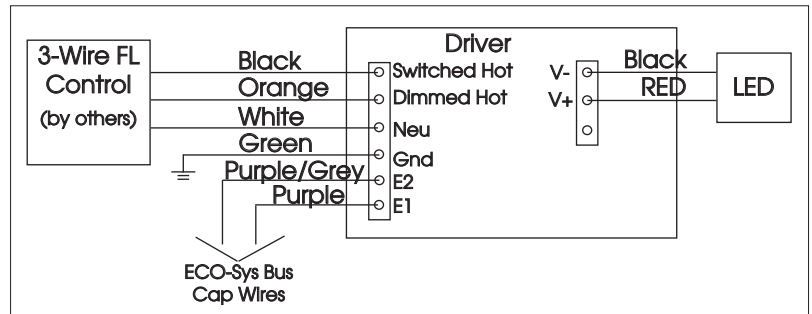
LUTRON HI-LUME / ECO-SYSTEM (-HILUME Option)

Integrates into a variety of building management and daylighting controls

Notes:

- 120v or 277v
- Dims down to less than 5% light output
- May use 3-Wire or Ecosystem Control
- Consult Dimming manufacturer for installation instructions - DO NOT SHARE NEUTRALS!

3-Wire Wiring Diagram



Compatible Dimmers

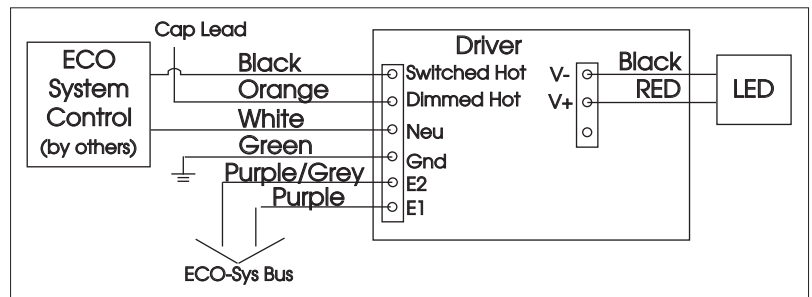
Wall Box (3-Wire Fluorescent)

- DIVA
- Maestro
- Nova T
- Vareo

Central System

- Lutron ECO-System compatible controls
- ETC "SR" Rack w/D20F Module
- ETC "DRD" Rack w/D20F Module

ECO System Digital Control Wiring



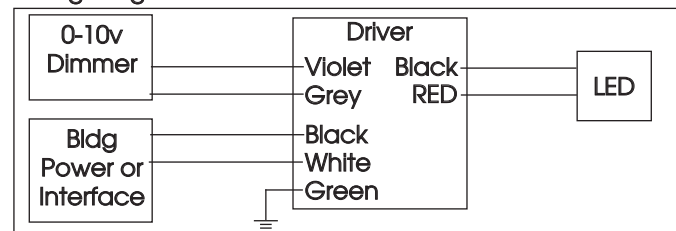
0-10V - DIMMING (-0-10V Option)

Integrates into a variety of building management and daylighting controls

Notes:

- 120v - 277v
- Dims down to less than 10% light output
- Requires interface to turn off power to driver
- Consult Dimming manufacturer for installation instructions - DO NOT SHARE NEUTRALS!

Wiring Diagram



Compatible Dimmers

Wall Box

Lutron "Diva" - DVTV with PP-120H Interface

Leviton Renoir II 0-10v

Central System

Lutron Grafix Eye with GRX-TVI Interface