

HORNET® HP DOWNLIGHT

3.5" ROUND LENSED WALL WASH LED

APPLICATIONS:

Retail and commercial wall wash lighting

CONSTRUCTION:

20 ga. galvanized steel frame
18 ga. galvanized steel splice housing and hanger brackets
Die-cast trim, extruded aluminum heat sink
Optic can be rotated to any position

OPTICS:

High reflectance, highly diffuse mixing chamber
Engineered nano technology lens provides high transmission while concealing LED image
LED:

Color Temp Options: 2200K, 2700K, 3000K, 3500K, 4000K
CRI: 83 typ. (2700K, 3000K, 3500K, 4000K)
90+ typ. (2200K, 2700K, 3000K)
Optional Amerlux CrispWhite technology
R9 Value: 11 (83CRI), 55 (90+CRI)
Binning: 3 MacAdam (SDCM)
Life: 50,000 hrs
Lumen Maintenance: >70% of initial lumens @ 50,000 hrs
Lumen Output (at 3000K):
16W: 1084 lm 23W: 1558 lm

ELECTRICAL:


Electronic constant current LED driver, 120V or 277V input
ELV and Triac dimming standard, 120V or 277V.
0-10V and Lutron systems available. See following pages for more information.

This product complies with IEEE C62.41 for surge endurance up to 2.5KV. Amerlux recommends using additional surge protection with this unit (supplied by others), surge damage is not covered by warranty.

MOUNTING:

For use in T-grid or sheet rock ceilings, 5/8" - 2" standard

LABELING:

 approved to UL standards as tested by CSA.
IC/AT rated (optional)
Damp location (standard)
Wet location option

HDL-HP-RLW-A14
LED



PROJECT:

TYPE:



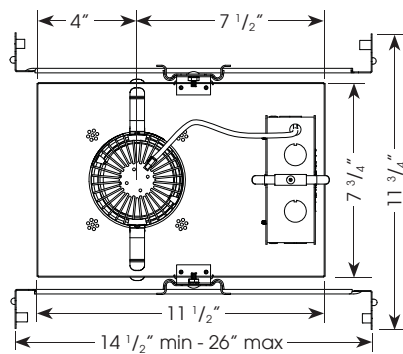
Electrostatic sensitive device,
observe precautions for
handling



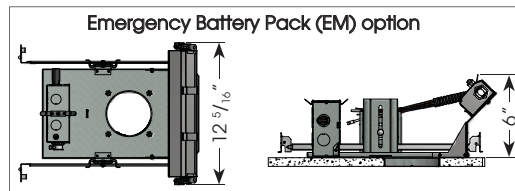
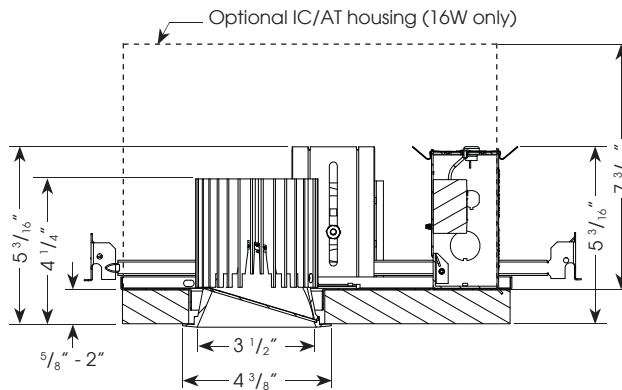
(see next page for details)



(see website for details)



Ceiling Cut Out Dimension: 4" dia.



ELECTRICAL

Electronic driver

	16W		23W	
	System Watts	Amps	System Watts	Amps
120V	16	0.13	23	0.19
277V	16	0.06	23	0.08

ORDERING INFORMATION:

Housing: Model	Wattage	Lamp Type	Voltage	Options	Trim: Model	Aperture Finish	Color Temp (CCT-CRI)	Options
HDL-HP-R-A14	16* 23	LED	120 277	HILUME - Lutron Hi-lume® dimming 0-10V* - 0-10V dimming CP - Chicago Plenum EM - emergency battery pack with remote test switch (not for use with CP or IC/AT options) IC/AT* - insulated ceiling/air tight (16W only)	HDL-HP-RLW-A14	Reflector with White Painted Flange MBW - matte black MWW - matte white SLVW - matte silver Reflector with Black Painted Flange MBB - matte black Reflector with Silver Painted Flange SLV - matte silver	27 - 2700K-83 30 - 3000K-83 35 - 3500K-83 40 - 4000K-83 229 - 2200K-90+ 279* - 2700K-90+ 309* - 3000K-90+ CRISP - CrispWhite	WET - wet location

Complete Example: HDL-HP-R-A14-23-LED-120/HDL-HP-RLW-A14-MWW-30
Housing Example: HDL-HP-R-A14-23-LED-120
Reflector Example: HDL-HP-RLW-A14-MWW-30

Cat #:

* Title 24 Compliant

Amerlux reserves the right to change details that do not affect overall function and performance.



QUICKSHIP HORNET® HP DOWNLIGHT

3.5" ROUND LENSED WALL WASH LED

HDL-HP-RLW-A14
LED

Amerlux® QuickShip makes it possible not only to keep up with expectations, but to keep ahead of them. We help enhance your competitive edge, ensuring you can start installation more quickly than you thought possible.

We can ship within 5-10 business days of your Amerlux QuickShip order, depending upon the selection.

- **QuickShip must be clearly marked on all P.O.'s.**
- **Must note on P.O. if requesting frames ship first.**
- **Standard shipping terms apply.**
- **See terms & conditions below.**

Quantity: 100 pieces or less
Housing: 5 days
Trims: 10 days



PROJECT:

TYPE:

QUICKSHIP ORDERING INFORMATION:

Housing:				Trim:			
Model	Wattage	Lamp Type	Voltage	Options	Model	Aperture Finish	Color Temp (CCT-CRI)
HDL-HP-R-A14	16 23	LED	120 277	0-10V - 0-10v dimming CP - Chicago Plenum	HDL-HP-RLW-A14	MWW - matte white	30 - 3000K-83 35 - 3500K-83

Complete **QuickShip** Example: HDL-HP-R-A14-16-LED-120/HDL-HP-RLW-A14-MWW-3000
Housing Example: HDL-HP-R-A14-16-LED-120
Trim Example: HDL-HP-RLW-A14-MWW-3000

Cat #:

Terms & Conditions

1. For QuickShip processing, please submit QuickShip items on separate purchase order and indicate "QuickShip" on order.
2. Configurations outside of what is displayed on the QuickShip program are not available under the QuickShip lead times.
3. Please contact Customer Support to process orders with quantities larger than those listed.
4. Orders will be entered within 24 hours of receipt of a clean purchase order. Lead times are calculated by business days from time of sales order confirmation. Orders will ship within QuickShip lead times or sooner.
5. Change orders and order cancellations cannot be processed after sales order confirmation is generated.
6. For freight allowed (greater than \$3,000), order will ship complete based on longest lead time item. Please indicate on PO if Partial Shipments are approved and indicate freight method. For partial shipments under \$3,000, customer will be invoiced for freight.
7. All Lead times indicate when the fixture ships from Amerlux®. Arrival at destination is contingent upon carrier.

Expedite your orders by providing:

- **Separate purchase order noting "QuickShip Program"**
- **Complete and accurate configurations**
- **Accurate pricing, quote number, shipping and contact information**

Amerlux reserves the right to modify this program at any time.

HORNET® HP DOWNLIGHT

3.5" ROUND LENSED WALL WASH LED

HDL-HP-RLW-A14
LED



TYPE:



FIXTURE DATA: For 16w data, multiply by 0.70

Complete photometric data (.ies format) available upon request.

CCT Conversion Factor: 2700K-83 = 0.96; 3500K-83 = 1.02; 4000K-83 = 1.04; 2200K-90+ = 0.71; 2700K-90+ = 0.80; 3000K-90+ = 0.83; CRISP = 0.65

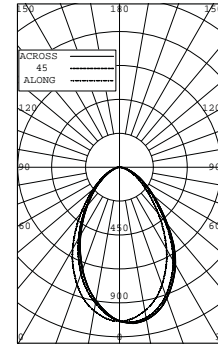
Hornet HP Round Lens Wall Washer 23W LED 3000K-83
Source: LED with frosted plastic optic Lumens: 1558
Recessed

ZONAL LUMEN SUMMARY

Zone	Lumens	%Fixt
0-30	683	43.85
0-40	1005	64.53
0-60	1411	90.60
0-90	1558	100.00
40-90	553	35.47
60-90	146	9.40
90-180	0	0.0
0-180	1558	100.00

Luminaire Efficacy: 68.9 lumens/watt

LTL# 631078



APPLICATION DATA:

Footcandles on Wall

Footcandles are average and rounded off.
Data for multiple units are based on a minimum of five units.

1.5 Feet From Wall

Distance from ceiling	1.5' Spacing				
	0.5'	1.5'	2.5'	3.5'	4.5'
0.5'	48	50	50	50	48
1.5'	94	99	100	99	91
2.5'	88	94	95	94	88
3.5'	60	66	68	66	61
4.5'	40	44	46	45	41
5.5'	28	31	32	31	29
6.5'	21	23	23	23	21
7.5'	16	17	18	17	16

1.5 Feet From Wall

Distance from ceiling	2' Spacing						
	0.5'	1.5'	2.5'	3.5'	4.5'	5.5'	6.5'
0.5'	37	40	37	40	37	40	36
1.5'	72	77	75	78	74	77	72
2.5'	69	73	74	75	74	73	69
3.5'	48	52	54	54	54	52	49
4.5'	33	36	37	38	37	36	33
5.5'	23	26	27	27	27	26	24
6.5'	17	19	20	20	20	19	18
7.5'	14	15	16	16	16	15	14

2 Feet From Wall

Distance from ceiling	2' Spacing						
	0.5'	1.5'	2.5'	3.5'	4.5'	5.5'	6.5'
0.5'	21	23	22	23	23	22	22
1.5'	48	51	51	52	51	51	48
2.5'	56	59	61	61	61	60	56
3.5'	47	51	52	53	53	51	47
4.5'	36	39	41	41	41	39	36
5.5'	27	29	31	31	31	29	27
6.5'	21	22	24	24	24	23	21
7.5'	16	18	19	19	19	18	16

HORNET® HP DOWNLIGHT

3.5" ROUND LENSED WALL WASH LED

HDL-HP-RLW-A14
LED



TYPE:



DIMMING COMPATIBILITY:

Amerlux® "Hornet" fixtures are compatible with all major dimming protocols prevalent in the United States. Please see below for general compatibilities and wiring diagrams. Amerlux recommends testing your unique dimming configuration as the exact full configuration (Dimmer, Fixture Quantity, Voltage, etc) may affect dimming performance.

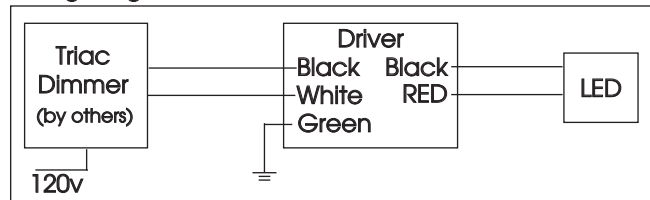
TRIAC (Forward Phase) DIMMING (standard)

Utilizes "Standard" incandescent dimmers that are in wide use in installations across the US. Best for retrofit applications where Triac dimmers are installed.

Notes:

- 120v or 277v
- Dims down to less than 5% light output (most cases)
- Consult Dimming manufacturer for installation instructions - DO NOT SHARE NEUTRALS!
- Must meet dimmer Minimum Load Requirements per dimming manufacturer

Wiring Diagram



Compatible Dimmers

Wall Box (Incandescent Style, Wattage as required)

Lutron "Diva"
Lutron "Nova-T"
Lutron "Maestro"

Lutron "Vareo"
Lutron "Skylark"

Central System

ETC "SR" Rack w/D20 Module
Lutron "GP" Panel

ETC "DRD" Rack w/D20 Module
Lutron Grafix Eye QS

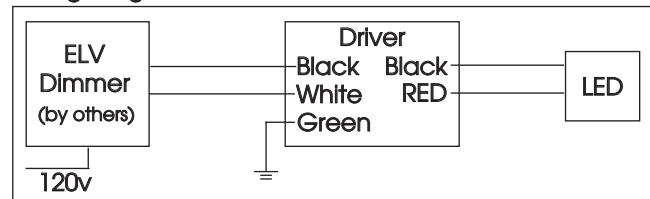
ELV - Electronic Low Voltage (Reverse Phase) DIMMING (standard)

Utilizes specialized "ELV" dimmers. Best for New Construction applications

Notes:

- 120v or 277v
- Dims down to less than 5% light output (most cases)
- Consult Dimming manufacturer for installation instructions - DO NOT SHARE NEUTRALS!
- Must meet dimmer Minimum Load Requirements

Wiring Diagram



Compatible Dimmers

Wall Box (ELV Style)

Lutron "Diva"
Lutron "Nova-T"
Lutron "Maestro"
Leviton "Surslide"

Lutron "Vareo"
Lutron "Skylark"
Leviton "Vizio"

Central System

ETC "SR" Rack w/ELV10 Module
Lutron "GP" Panel with PPHM-PA Interface

ETC "DRD" Rack w/ELV10 Module
Lutron Grafix Eye QS with PPHM-PA Interface

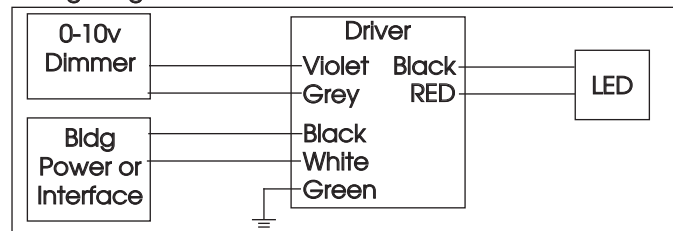
0-10V - DIMMING (-0-10V Option)

Integrates into a variety of building management and daylighting controls

Notes:

- 120v - 277v
- Dims down to less than 10% light output
- Requires interface to turn off power to driver
- Consult Dimming manufacturer for installation instructions - DO NOT SHARE NEUTRALS!

Wiring Diagram



Compatible Dimmers

Wall Box

Lutron "Diva" - DVTV with PP-120H Interface

Leviton Renoir II 0-10v

Central System

Lutron Grafix Eye with GRX-TVI Interface

HORNET® HP DOWNLIGHT

3.5" ROUND LENSED WALL WASH LED

HDL-HP-RLW-A14
LED



TYPE:



LUTRON HI-LUME / ECO-SYSTEM (-HILUME Option)

Integrates into a variety of building management and daylighting controls

Notes:

- 120v or 277v
- Dims down to 1% light output
- May use 3-Wire or Ecosystem Control
- Consult Dimming manufacturer for installation instructions - DO NOT SHARE NEUTRALS!

Compatible Dimmers

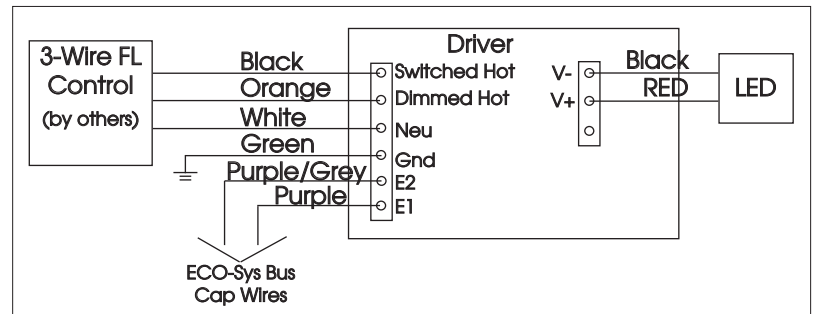
Wall Box (3-Wire Fluorescent)

DIVA
Maestro
Nova T
Vareo

Central System

Lutron ECO-System compatible controls
ETC "SR" Rack w/D20F Module
ETC "DRD" Rack w/D20F Module

3-Wire Wiring Diagram



ECO System Digital Control Wiring

