

# HORNET® HP DOWNLIGHT

## 3.5" SQUARE LENSED WALL WASH TRIMLESS LED

### APPLICATIONS:

Retail and commercial wall wash lighting

### CONSTRUCTION:

20 ga. galvanized steel frame  
 18 ga. galvanized steel splice housing and hanger brackets  
 Cast aluminum plaster frame with perforated face  
 Die-cast trim, extruded aluminum heat sink  
 Thermally protected  
 Optic can be rotated to any 90° increment

### OPTICS:

High reflectance, highly diffuse mixing chamber  
 Engineered nano technology lens provides high transmission while concealing LED image

### LED:

Color Temp Options: 2200K, 2700K, 3000K, 3500K, 4000K  
 CRI: 83 typ. (2700K, 3000K, 3500K, 4000K)  
 90+ typ. (2200K, 2700K, 3000K)

Optional Amerlux CrispWhite technology

R9 Value: 11 (83CRI), 55 (90+CRI)

Binning: 3 MacAdam (SDMC)

Lumen Maintenance: >70% of initial lumens @ 50,000 hrs  
 Lumen Output (at 3000K):

16W: 1123 lm 23W: 1614 lm

### ELECTRICAL:

Electronic constant current LED driver, 120V or 277V input  
 ELV and Triac dimming standard, 120V or 277V.  
 0-10V and Lutron systems available. See following pages for more information.

**This product complies with IEEE C62.41 for surge endurance up to 2.5KV. Amerlux® recommends using additional surge protection with this unit (supplied by others), surge damage is not covered by warranty.**

### MOUNTING:

For use in sheet rock ceilings, typical ceiling thickness 5/8"

### LABELING:

 approved to UL standards as tested by CSA.

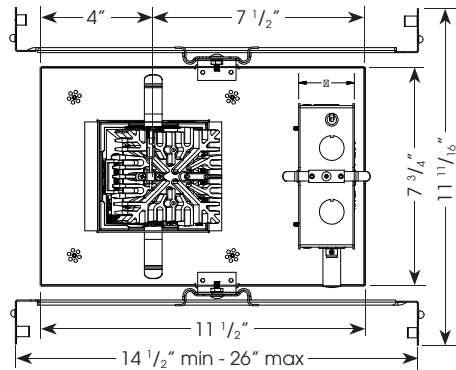
For indoor use only  
 IC/AT rated (optional)  
 Damp location

HDL-HP-SLW-A14-TL  
 LED

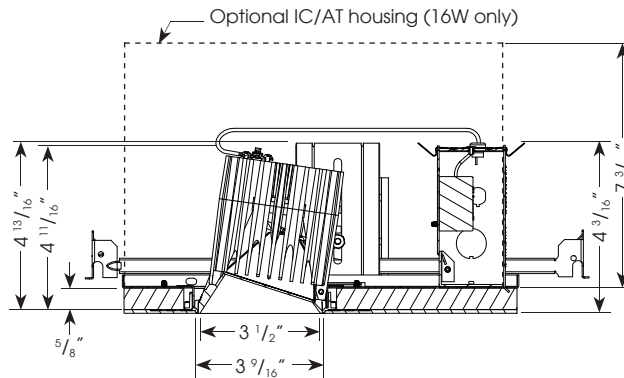


PROJECT:

TYPE:

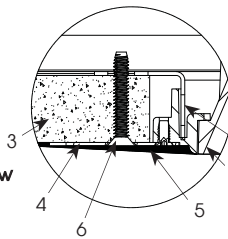


Note: See 4th pg for Emergency Battery Pack (EM) dimensions



Ceiling Cut Out Dimension: 4 1/2" sq.

1. Reflector Trim
2. Fixture Housing Aperture Plate
3. Ceiling 5/8"
4. Cast Aluminum Plaster Frame
5. Plaster Skim Coat (by others)
6. 6-32 Type F Thread Cutting Screw



### ORDERING INFORMATION:

Housing:					Trim:		
Model	Wattage	Lamp Type	Voltage	Options	Model	Aperture Finish	Color Temp (CCT-CRI)
HDL-HP-S-A14-TL	16* 23	LED	120 277	HILUME - Lutron HI-lume® dimming 0-10V* - 0-10V dimming CP - Chicago Plenum EM - emergency battery pack with remote test switch (not for use with CP or IC/AT options) IC/AT* - insulated ceiling/air tight (16W only)	HDL-HP-SLW-A14-TL	MB - matte black MW - matte white SLV - matte silver	27 - 2700K-83 30 - 3000K-83 35 - 3500K-83 40 - 4000K-83 229 - 2200K-90+ 279* - 2700K-90+ 309* - 3000K-90+

Complete Example: HDL-HP-S-A14-TL-23-LED-120/HDL-HP-SLW-A14-TL-MB-30

Housing Example: HDL-HP-S-A14-TL-23-LED-120

Reflector Example: HDL-HP-SLW-A14-TL-MB-30

Cat #:

CRISP - CrispWhite

\* Title 24 Compliant

Amerlux reserves the right to change details that do not affect overall function and performance.



(see website for details)

# HORNET® HP DOWNLIGHT

3.5" SQUARE LENSED WALL WASH TRIMLESS LED

HDL-HP-SLW-A14-TL  
LED



TYPE:



**FIXTURE DATA:** For 16w data, multiply by 0.70

Complete photometric data (.ies format) available upon request.

CCT Conversion Factor: 2700K-83 = 0.96; 3500K-83 = 1.02; 4000K-83 = 1.04; 2200K-90+ = 0.71; 2700-90+ = 0.80; 3000K-90+ = 0.83; CRISP = 0.65

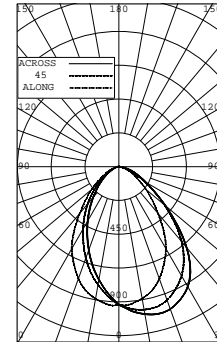
Hornet HP Square Lens Wall Washer 23W LED 3000K-83  
Source: LED with frosted plastic optic Lumens: 1614  
Recessed

## ZONAL LUMEN SUMMARY

Zone	Lumens	%Fixt
0-30	658	40.79
0-40	1009	62.51
0-60	1471	91.15
0-90	1614	100.00
40-90	605	37.49
60-90	143	8.85
90-180	0	0.0
0-180	1614	100.00

Luminaire Efficacy: 70.5 lumens/watt

LTL# 631080



## APPLICATION DATA:

### Footcandles on Wall

Footcandles are average and rounded off.  
Data for multiple units are based on a minimum of five units.

1.5 Feet From Wall

Distance from ceiling	1.5' Spacing				
	0.5'	1.5'	2.5'	3.5'	4.5'
0.5'	57	59	60	60	57
1.5'	127	132	134	133	127
2.5'	114	122	124	122	114
3.5'	71	78	80	78	72
4.5'	44	49	51	50	45
5.5'	30	33	34	33	30
6.5'	22	24	24	24	22
7.5'	17	18	18	18	17

1.5 Feet From Wall

Distance from ceiling	2' Spacing						
	0.5'	1.5'	2.5'	3.5'	4.5'	5.5'	6.5'
0.5'	43	47	44	48	43	47	43
1.5'	97	103	100	104	100	102	97
2.5'	89	94	95	96	95	94	90
3.5'	56	61	63	64	63	62	57
4.5'	36	39	41	42	41	40	37
5.5'	25	27	29	29	28	25	22
6.5'	18	20	21	21	21	20	19
7.5'	14	15	16	16	16	16	15

2 Feet From Wall

Distance from ceiling	2' Spacing						
	0.5'	1.5'	2.5'	3.5'	4.5'	5.5'	6.5'
0.5'	23	25	25	26	25	25	24
1.5'	62	65	66	67	66	65	62
2.5'	77	81	83	83	83	81	77
3.5'	60	64	67	67	67	65	60
4.5'	42	46	48	48	48	46	42
5.5'	30	33	34	35	34	33	30
6.5'	22	24	26	26	26	24	22
7.5'	17	19	20	20	20	19	17

# HORNET® HP DOWNLIGHT

3.5" SQUARE LENSED WALL WASH TRIMLESS LED

HDL-HP-SLW-A14-TL  
LED



TYPE:



## DIMMING COMPATIBILITY:

Amerlux® "Hornet" fixtures are compatible with all major dimming protocols prevalent in the United States. Please see below for general compatibilities and wiring diagrams. Amerlux recommends testing your unique dimming configuration as the exact full configuration (Dimmer, Fixture Quantity, Voltage, etc) may affect dimming performance.

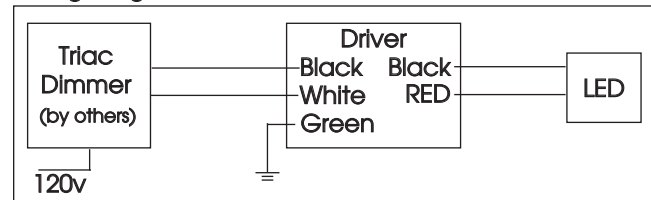
### TRIAC (Forward Phase) DIMMING (standard)

Utilizes "Standard" incandescent dimmers that are in wide use in installations across the US. Best for retrofit applications where Triac dimmers are installed.

#### Notes:

- 120V or 277V
- Dims down to less than 5% light output (most cases)
- Consult Dimming manufacturer for installation instructions - DO NOT SHARE NEUTRALS!
- Must meet dimmer Minimum Load Requirements per dimming manufacturer

#### Wiring Diagram



#### Compatible Dimmers

##### Wall Box (Incandescent Style, Wattage as required)

Lutron "Diva"	Lutron "Vareo"
Lutron "Nova-T"	Lutron "Skylark"
Lutron "Maestro"	

##### Central System

ETC "SR" Rack w/D20 Module	ETC "DRD" Rack w/D20 Module
Lutron "GP" Panel	Lutron Grafix Eye QS

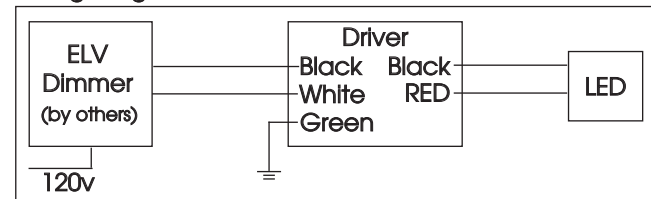
### ELV - Electronic Low Voltage (Reverse Phase) DIMMING (standard)

Utilizes specialized "ELV" dimmers. Best for New Construction applications

#### Notes:

- 120V or 277V
- Dims down to less than 5% light output (most cases)
- Consult Dimming manufacturer for installation instructions - DO NOT SHARE NEUTRALS!
- Must meet dimmer Minimum Load Requirements

#### Wiring Diagram



#### Compatible Dimmers

##### Wall Box (ELV Style)

Lutron "Diva"	Lutron "Vareo"
Lutron "Nova-T"	Lutron "Skylark"
Lutron "Maestro"	
Leviton "Surslide"	Leviton "Vizio"

##### Central System

ETC "SR" Rack w/ELV10 Module	ETC "DRD" Rack w/ELV10 Module
Lutron "GP" Panel with PHPM-PA Interface	Lutron Grafix Eye QS with PHPM-PA Interface

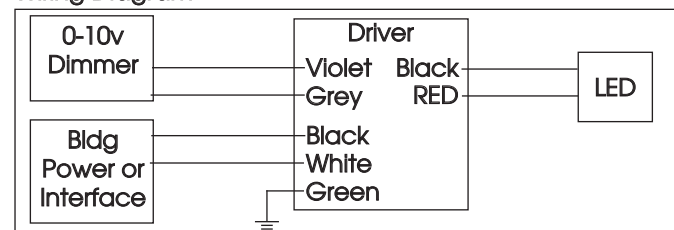
### 0-10V - DIMMING (-0-10V Option)

Integrates into a variety of building management and daylighting controls

#### Notes:

- 120V - 277V
- Dims down to 1% light output
- Requires interface to turn off power to driver
- Consult Dimming manufacturer for installation instructions - DO NOT SHARE NEUTRALS!

#### Wiring Diagram



#### Compatible Dimmers

##### Wall Box

Lutron "Diva" - DVTV with PP-120H Interface	Leviton Renoir II 0-10V
---	-------------------------

##### Central System

Lutron Grafix Eye with GRX-TVI Interface
--

# HORNET® HP DOWNLIGHT

3.5" SQUARE LENSED WALL WASH TRIMLESS LED

HDL-HP-SLW-A14-TL  
LED



TYPE:



## LUTRON HI-LUME / ECO-SYSTEM (-HILUME Option)

Integrates into a variety of building management and daylighting controls

### Notes:

- 120V or 277V
- Dims down to 1% light output
- May use 3-Wire or Ecosystem Control
- Consult Dimming manufacturer for installation instructions - DO NOT SHARE NEUTRALS!

### Compatible Dimmers

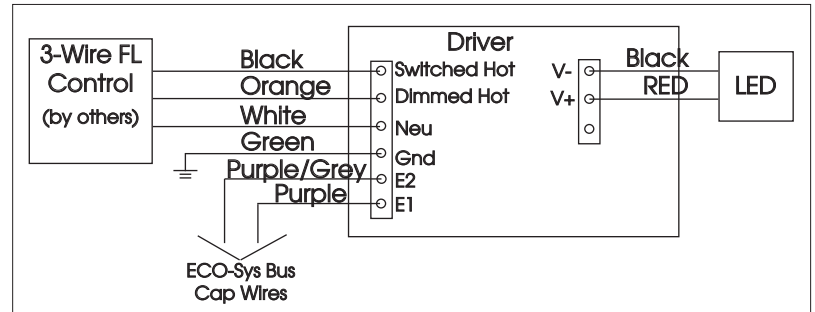
#### Wall Box (3-Wire Fluorescent)

DIVA  
Maestro  
Nova T  
Vareo

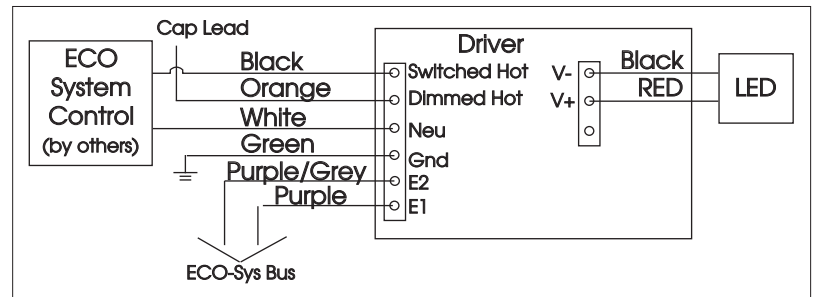
#### Central System

Lutron ECO-System compatible controls  
ETC "SR" Rack w/D20F Module  
ETC "DRD" Rack w/D20F Module

### 3-Wire Wiring Diagram



### ECO System Digital Control Wiring



### Emergency Battery Pack (EM) option

