

# HORNET® HP DOWNLIGHT

3.5" SQUARE ADJUSTABLE LED

## APPLICATIONS:

Retail and commercial accent & display lighting

## CONSTRUCTION:

20 ga. galvanized steel frame  
18 ga. galvanized steel splice housing and hanger brackets  
Die-cast optical housing and trim  
Extruded aluminum and die-cast heat sink

## ELECTRICAL:

Electronic constant current LED driver, 120v or 277v input  
ELV and Triac dimming standard, 120v or 277v.  
0-10v and Lutron systems available. See following pages for more information.

**This product complies with IEEE C62.41 for surge endurance up to 2.5KV. Amerlux® recommends using additional surge protection with this unit (supplied by others), surge damage is not covered by warranty.**

## MOUNTING:

For use in T-grid or sheet rock ceilings, 5/8" - 2" standard.

## OPTICS:

LED:

Color Temp Options: 2200K, 2700K, 3000K, 3500K, 4000K  
CRI: 83 typ. (2700K, 3000K, 3500K, 4000K)  
90+ typ. (2200K, 2700K, 3000K)

Optional Amerlux CrispWhite technology (18w max)

R9 Value: 11 (83CRI), 55 (90+CRI)

Binning: 3 MacAdam (SDCM)

Lumen Maintenance: >70% of initial lumens @ 50,000 hrs  
Lumen Output (at 3000K):

18W: SP 1170 typ	20W: SP 1300 typ
NF 1115 typ	NF 1239 typ
FL 1044 typ	FL 1160 typ
WF 1040 typ	WF 1156 typ

0-30° lockable tilt, 358° rotation

## LABELING:

 approval to UL standards as tested by CSA.

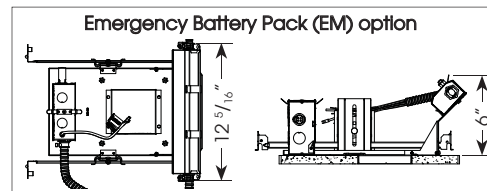
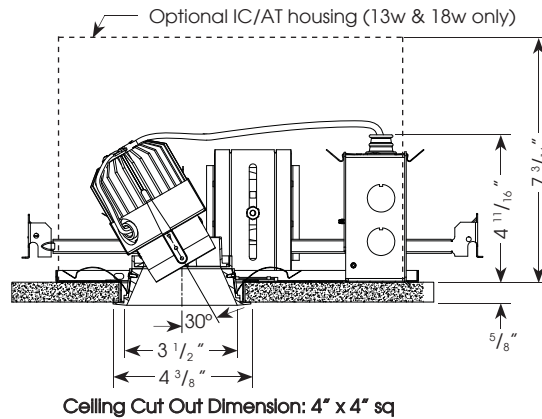
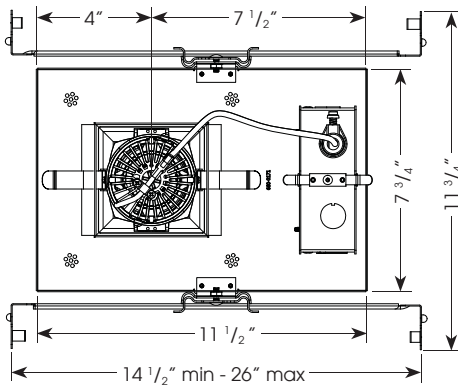
For indoor use only  
IC/AT rated (optional)  
Damp location

HDL-HP-SA-A14  
LED



PROJECT:

TYPE:



## ELECTRICAL

Electronic driver

	13W		18W		20W	
	System Watts	Amps	System Watts	Amps	System Watts	Amps
120v	13	0.11	18	0.15	20	0.17
277v	13	0.05	18	0.06	20	0.07

## ORDERING INFORMATION:

Housing Model	Wattage	Lamp Type	Voltage	Options	Trim Model	Aperture Finish	Beam Spread	Color Temp (CCT-CRI)	Options/Accessories
HDL-HP-S-A14	13*	LED	120	HILUME - Lutron Hi-lume® dimming	HDL-HP-SA-A14	Reflector with White Painted Flange	SP* - spot, 15°	27 - 2700K-83	HEX - hexcell louver
	18*		277	0-10V* - 0-10v dimming		MBW - matte black	NF* - narrow flood, 20°	30 - 3000K-83	SOL - solite beam softening lens
	20			CP - Chicago Plenum		MWW - matte white	MFL* - medium flood, 24°	35 - 3500K-83	
				EM - emergency battery pack with remote test switch (not for use with CP or IC/AT options)		SLVW - matte silver	FL* - flood, 28°	40 - 4000K-83	
				IC/AT* - insulated ceiling/air tight (13w & 18w only)		Reflector with Black Painted Flange	WF* - wide flood, 45°	229 - 2200K-90+	
						MBB - matte black	VWF* - very wide flood, 60°	279* - 2700K-90+	
						Reflector with Silver Painted Flange	LS - linear spread, 60° x 10°	309* - 3000K-90+	
						SLV - matte silver		CRISP - Crisp White (18W max)	

Complete Example: HDL-HP-S-A14-20-LED-120/HDL-HP-SA-A14-MBW-FL-30

Housing Example: HDL-HP-S-A14-20-LED-120

Reflector Example: HDL-HP-SA-A14-MBW-FL-30

Cat #:

\* Title 24 Compliant

Amerlux reserves the right to change details that do not affect overall function and performance.

# QUICKSHIP HORNET® HP DOWNLIGHT

3.5" SQUARE ADJUSTABLE LED

HDL-HP-SA-A14  
LED

Amerlux® QuickShip makes it possible not only to keep up with expectations, but to keep ahead of them. We help enhance your competitive edge, ensuring you can start installation more quickly than you thought possible.

We can ship within 5-10 business days of your Amerlux QuickShip order, depending upon the selection.

- **QuickShip must be clearly marked on all P.O.'s.**
- **Must note on P.O. if requesting frames ship first.**
- **Standard shipping terms apply.**
- **See terms & conditions below.**

**Quantity:** 100 pieces or less  
Housing: 5 days  
Trims: 10 days



PROJECT:

TYPE:

## QUICKSHIP ORDERING INFORMATION:

Housing: Model	Wattage	Lamp Type	Voltage	Options	Trim: Model	Aperture Finish	Beam Spread	Color Temp (CCT-CRI)
HDL-HP-S-A14	18 20	LED	120 277	0-10V - 0-10v dimming CP - Chicago Plenum	HDL-HP-SA-A14	MWW - matte white	SP - spot, 15° NF - narrow flood, 20° MFL - medium flood, 24° FL - flood, 28° WF - wide flood, 45° VWF - very wide flood, 60° LS - linear spread, 60° x 10°	30 - 3000K-83 35 - 3500K-83

Complete **QuickShip** Example: HDL-HP-S-A14-18-LED-120/HDL-HP-SA-A14-MW-SP-30  
Housing Example: HDL-HP-S-A14-18-LED-120  
Trim Example: HDL-HP-SA-A14-MW-SP-30

Cat #:

## Terms & Conditions

1. For QuickShip processing, please submit QuickShip items on separate purchase order and indicate "QuickShip" on order.
2. Configurations outside of what is displayed on the QuickShip program are not available under the QuickShip lead times.
3. Please contact Customer Support to process orders with quantities larger than those listed.
4. Orders will be entered within 24 hours of receipt of a clean purchase order. Lead times are calculated by business days from time of sales order confirmation. Orders will ship within QuickShip lead times or sooner.
5. Change orders and order cancellations cannot be processed after sales order confirmation is generated.
6. For freight allowed (greater than \$3,000), order will ship complete based on longest lead time item. Please indicate on PO if Partial Shipments are approved and indicate freight method. For partial shipments under \$3,000, customer will be invoiced for freight.
7. All Lead times indicate when the fixture ships from Amerlux®. Arrival at destination is contingent upon carrier.

### Expedite your orders by providing:

- **Separate purchase order noting "QuickShip Program"**
- **Complete and accurate configurations**
- **Accurate pricing, quote number, shipping and contact information**

**Amerlux reserves the right to modify this program at any time.**

# HORNET® HP DOWNLIGHT

3.5" SQUARE ADJUSTABLE LED

HDL-HP-SA-A14  
LED



TYPE:



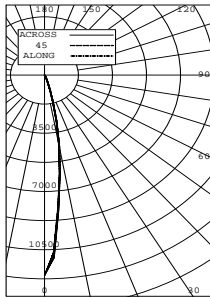
**FIXTURE DATA:** For 13w data, multiply by 0.71; For 18w data, multiply by 0.90

Complete photometric data (ies format) available upon request.

CCT Conversion Factor: 2700K-83 = 0.96; 3500K-83 = 1.02; 4000K-83 = 1.04; 2200K-90+ = 0.71; 2700-90+ = 0.80; 3000K-90+ = 0.83; CRISP = 0.65

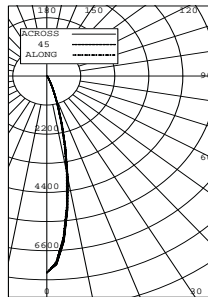
## 20W LED 3000K-83

SPOT  
DISTRIBUTION  
LTL # 818193



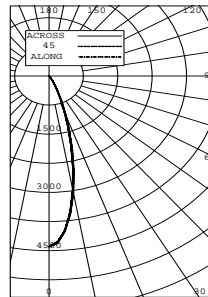
Candelas at Nadir	
Deg	Candela
0	12031
5	7996
15	1673
25	203
35	40
45	3

NARROW FLOOD  
DISTRIBUTION  
LTL # 818194



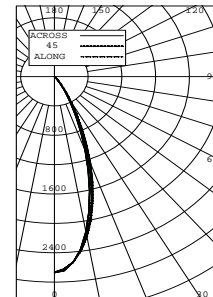
Candelas at Nadir	
Deg	Candela
0	7431
5	6154
15	1767
25	279
35	53
45	5

FLOOD  
DISTRIBUTION  
LTL # 818196



Candelas at Nadir	
Deg	Candela
0	4396
5	3992
15	1958
25	503
35	86
45	6

WIDE FLOOD  
DISTRIBUTION  
LTL # 818238

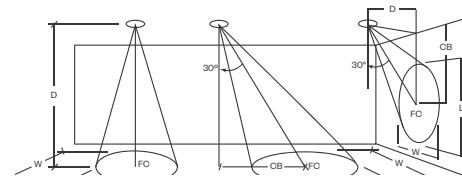


Candelas at Nadir	
Deg	Candela
0	2669
5	2537
15	1759
25	763
35	177
45	9

## APPLICATION DATA:

### Notes and Definitions:

- Beam spread is to 50% center beam candlepower (CBCP).
- D=Distance to floor or wall.
- FC=Footcandles on floor or wall at center beam aiming location.
- L=Effective Visual Beam length in feet (50% of maximum footcandle level).
- W=Effective Visual Beam width in feet (50% of maximum footcandle level).
- CB=Distance across or down to center beam location.



0° Aiming Angle  
Horizontal  
Footcandles

	D	FC	L	W
	7.5'	156	2.6	2.6
	10.0'	98	3.2	3.2
	12.5'	66	3.7	3.7
NARROW FLOOD	5.0'	215	2.2	2.2
	7.5'	112	3.0	3.0
	10.0'	67	3.7	3.8
	12.5'	44	4.6	4.7
FLOOD	5.0'	151	2.6	2.6
	7.5'	73	3.6	3.5
	10.0'	43	4.8	4.7
	12.5'	28	5.9	5.8
WIDE FLOOD	5.0'	95	3.3	3.3
	7.5'	45	4.9	4.6
	10.0'	26	6.4	6.0
	12.5'	17	7.9	7.4

# HORNET® HP DOWNLIGHT

3.5" SQUARE ADJUSTABLE LED

HDL-HP-SA-A14  
LED



TYPE:



## DIMMING COMPATIBILITY:

Amerlux® "Hornet" fixtures are compatible with all major dimming protocols prevalent in the United States. Please see below for general compatibilities and wiring diagrams. Amerlux recommends testing your unique dimming configuration as the exact full configuration (Dimmer, Fixture Quantity, Voltage, etc) may affect dimming performance.

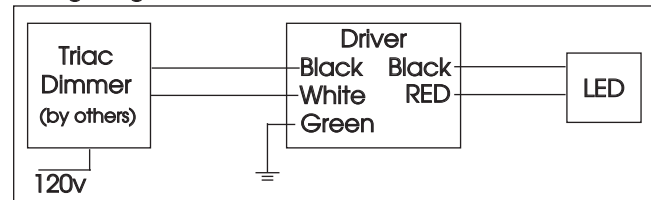
### TRIAC (Forward Phase) DIMMING (standard)

Utilizes "Standard" incandescent dimmers that are in wide use in installations across the US. Best for retrofit applications where Triac dimmers are installed.

#### Notes:

- 120v or 277v
- Dims down to less than 5% light output (most cases)
- Consult Dimming manufacturer for installation instructions - DO NOT SHARE NEUTRALS!
- Must meet dimmer Minimum Load Requirements per dimming manufacturer

#### Wiring Diagram



#### Compatible Dimmers

##### Wall Box (Incandescent Style, Wattage as required)

Lutron "Diva"	Lutron "Vareo"
Lutron "Nova-T"	Lutron "Skylark"
Lutron "Maestro"	

##### Central System

ETC "SR" Rack w/D20 Module	ETC "DRD" Rack w/D20 Module
Lutron "GP" Panel	Lutron Grafix Eye QS

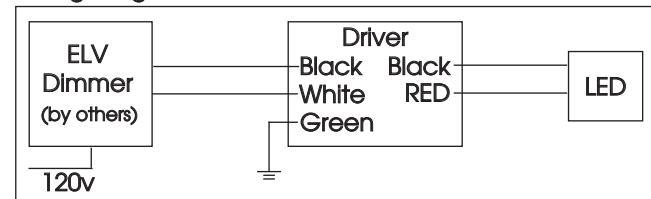
### ELV - Electronic Low Voltage (Reverse Phase) DIMMING (standard)

Utilizes specialized "ELV" dimmers. Best for New Construction applications

#### Notes:

- 120v or 277v
- Dims down to less than 5% light output (most cases)
- Consult Dimming manufacturer for installation instructions - DO NOT SHARE NEUTRALS!
- Must meet dimmer Minimum Load Requirements

#### Wiring Diagram



#### Compatible Dimmers

##### Wall Box (ELV Style)

Lutron "Diva"	Lutron "Vareo"
Lutron "Nova-T"	Lutron "Skylark"
Lutron "Maestro"	
Leviton "Surslide"	Leviton "Vizio"

##### Central System

ETC "SR" Rack w/ELV10 Module	ETC "DRD" Rack w/ELV10 Module
Lutron "GP" Panel with PPHM-PA Interface	Lutron Grafix Eye QS with PPHM-PA Interface

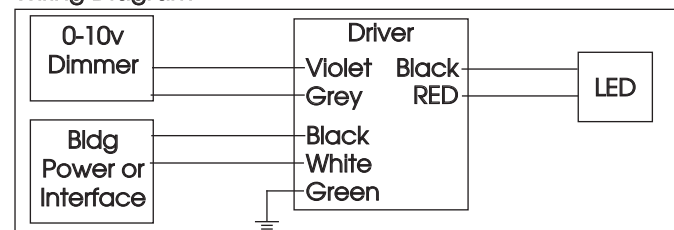
### 0-10V - DIMMING (-0-10V Option)

Integrates into a variety of building management and daylighting controls

#### Notes:

- 120v - 277v
- Dims down to 1% light output
- Requires interface to turn off power to driver
- Consult Dimming manufacturer for installation instructions - DO NOT SHARE NEUTRALS!

#### Wiring Diagram



#### Compatible Dimmers

##### Wall Box

Lutron "Diva" - DVTV with PP-120H Interface	Leviton Renoir II 0-10v
---	-------------------------

##### Central System

Lutron Grafix Eye with GRX-TVI Interface
--

# HORNET® HP DOWNLIGHT

3.5" SQUARE ADJUSTABLE LED

HDL-HP-SA-A14  
LED



TYPE:



## LUTRON HI-LUME / ECO-SYSTEM (-HILUME Option)

Integrates into a variety of building management and daylighting controls

### Notes:

- 120v or 277v
- Dims down to 1% light output
- May use 3-Wire or Ecosystem Control
- Consult Dimming manufacturer for installation instructions - DO NOT SHARE NEUTRALS!

### Compatible Dimmers

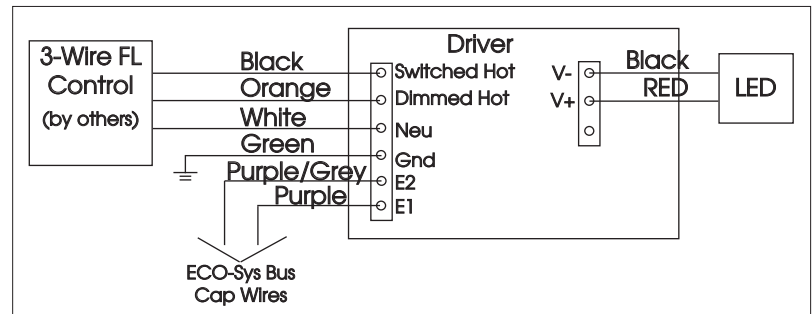
#### Wall Box (3-Wire Fluorescent)

DIVA  
Maestro  
Nova T  
Vareo

#### Central System

Lutron ECO-System compatible controls  
ETC "SR" Rack w/D20F Module  
ETC "DRD" Rack w/D20F Module

### 3-Wire Wiring Diagram



### ECO System Digital Control Wiring

