

HORNET® HP DOWNLIGHT

3.5" SQUARE PINHOLE ADJUSTABLE LED

APPLICATIONS:

Retail and commercial accent & display lighting

CONSTRUCTION:

20 ga. galvanized steel frame
18 ga. galvanized steel splice housing and hanger brackets
Die-cast optical housing
Extruded aluminum and die-cast heat sink
Formed steel faceplate

ELECTRICAL:

Electronic constant current LED driver, 120v or 277v input
ELV and Triac dimming standard, 120v or 277v.
0-10v and Lutron systems available. See following pages for more information.

This product complies with IEEE C62.41 for surge endurance up to 2.5KV. Amerlux® recommends using additional surge protection with this unit (supplied by others), surge damage is not covered by warranty.

MOUNTING:

For use in T-grid or sheet rock ceilings, 5/8" - 2" standard.

OPTICS:

LED:

Color Temp Options: 2200K, 2700K, 3000K, 3500K, 4000K
CRI: 83 typ. (2700K, 3000K, 3500K, 4000K)
90+ typ. (2200K, 2700K, 3000K)

Optional Amerlux CrispWhite technology (18w max)

R9 Value: 11 (83CRI), 55 (90+CRI)

Binning: 3 MacAdam (SDCM)


Lumen Maintenance: >70% of initial lumens @ 50,000 hrs

Lumen Output (at 3000K):

18W: SP 1063 typ	20W: SP 1181 typ
NF 963 typ	NF 1070 typ
MFL 909 typ	MFL 1010 typ
FL 862 typ	FL 958 typ

0-20° lockable tilt, 358° rotation

LABELING:

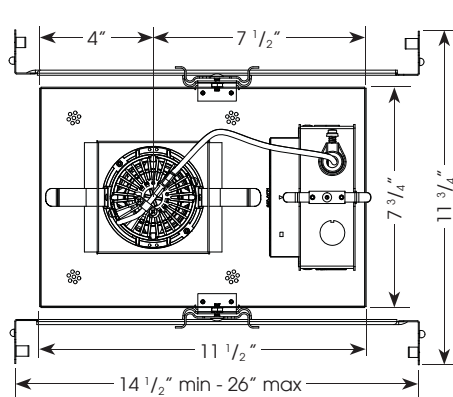
 approval to UL standards as tested by CSA
For indoor use only
IC/AT rated (optional)
Damp location

HDL-HP-SPA-A14
LED

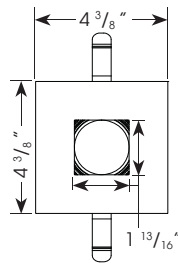
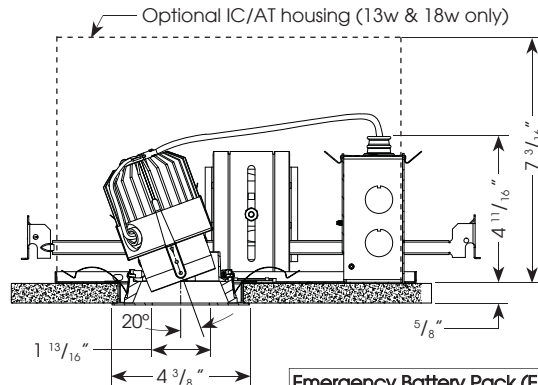


PROJECT:

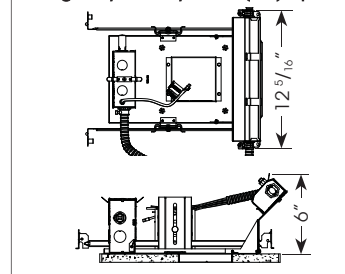
TYPE:



Ceiling Cut Out Dimension: 4" sq



Emergency Battery Pack (EM) option



ELECTRICAL

Electronic driver

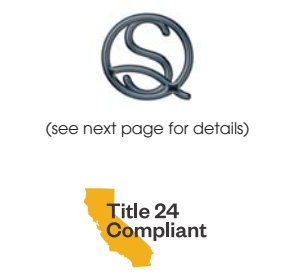
	13W		18W		20W	
	System Watts	Amps	System Watts	Amps	System Watts	Amps
120V	13	0.11	18	0.15	20	0.17
277V	13	0.05	18	0.06	20	0.07

ORDERING INFORMATION:

Housing: Model	Wattage	Lamp Type	Voltage	Options	Trim: Model	Trim Finish	Beam Spread	Color Temp (CCT-CRI)	Options/Accessories
HDL-HP-S-A14	13* 18* 20	LED	120 277	HILUME - Lutron Hi-lume® dimming 0-10V* - 0-10v dimming CP - Chicago Plenum EM - emergency battery pack with remote test switch (not for use with CP or IC/AT options) IC/AT* - insulated ceiling/air tight (13w & 18w only)	HDL-HP-SPA-A14	MW - matte white MB - matte black SLV - matte silver PC - polished chrome BSS - brushed stainless steel	SP* - spot, 15° NF* - narrow flood, 20° MFL* - medium flood, 24° FL* - flood, 28°	27 - 2700K-83 30 - 3000K-83 35 - 3500K-83 40 - 4000K-83 229 - 2200K-90+ 279* - 2700K-90+ 309* - 3000K-90+	HEX - hexcell louver SOL - solite beam softening lens

Complete Example: HDL-HP-S-A14-20-LED-120/HDL-HP-SPA-A14-MW-FL-30
Housing Example: HDL-HP-S-A14-20-LED-120
Reflector Example: HDL-HP-SPA-A14-MW-FL-30

Cat #:



* Title 24 Compliant

Amerlux reserves the right to change details that do not affect overall function and performance.



QUICKSHIP HORNET® HP DOWNLIGHT

3.5" SQUARE PINHOLE ADJUSTABLE LED

HDL-HP-SPA-A14
LED

Amerlux® QuickShip makes it possible not only to keep up with expectations, but to keep ahead of them. We help enhance your competitive edge, ensuring you can start installation more quickly than you thought possible.

We can ship within 5-10 business days of your Amerlux QuickShip order, depending upon the selection.

- **QuickShip must be clearly marked on all P.O's.**
- **Must note on P.O. if requesting frames ship first.**
- **Standard shipping terms apply.**
- **See terms & conditions below.**

Quantity: 100 pieces or less
Housing: 5 days
Trims: 10 days



PROJECT:

TYPE:

QUICKSHIP ORDERING INFORMATION:

Housing:				Trim:				
Model	Wattage	Lamp Type	Voltage	Options	Model	Aperture Finish	Beam Spread	Color Temp (CCT-CRI)
HDL-HP-S-A14	18 20	LED	120 277	0-10V - 0-10v dimming CP - Chicago Plenum	HDL-HP-SPA-A14	MW - matte white	SP - spot, 15° NF - narrow flood, 20° MFL - medium flood, 24° FL - flood, 28°	30 - 3000K-83 35 - 3500K-83

Complete **QuickShip** Example: HDL-HP-S-A14-18-LED-120/HDL-HP-SPA-A14-MW-SP-30
Housing Example: HDL-HP-S-A14-18-LED-120
Trim Example: HDL-HP-SPA-A14-MW-SP-30

Cat #:

Terms & Conditions

1. For QuickShip processing, please submit QuickShip items on separate purchase order and indicate "QuickShip" on order.
2. Configurations outside of what is displayed on the QuickShip program are not available under the QuickShip lead times.
3. Please contact Customer Support to process orders with quantities larger than those listed.
4. Orders will be entered within 24 hours of receipt of a clean purchase order. Lead times are calculated by business days from time of sales order confirmation. Orders will ship within QuickShip lead times or sooner.
5. Change orders and order cancellations cannot be processed after sales order confirmation is generated.
6. For freight allowed (greater than \$3,000), order will ship complete based on longest lead time item. Please indicate on PO if Partial Shipments are approved and indicate freight method. For partial shipments under \$3,000, customer will be invoiced for freight.
7. All Lead times indicate when the fixture ships from Amerlux®. Arrival at destination is contingent upon carrier.

Expedite your orders by providing:

- **Separate purchase order noting "QuickShip Program"**
- **Complete and accurate configurations**
- **Accurate pricing, quote number, shipping and contact information**

Amerlux reserves the right to modify this program at any time.

HORNET HP DOWNLIGHT

3.5" SQUARE PINHOLE ADJUSTABLE LED

HDL-HP-SPA-A14
LED



TYPE:



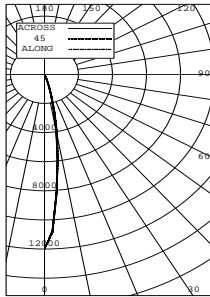
FIXTURE DATA: For 13w data, multiply by 0.71; For 18w data, multiply by 0.90

Complete photometric data (ies format) available upon request.

CCT Conversion Factor: 2700K-83 = 0.96; 3500K-83 = 1.02; 4000K-83 = 1.04; 2200K-90+ = 0.71; 2700-90+ = 0.80; 3000K-90+ = 0.83; CRISP = 0.65

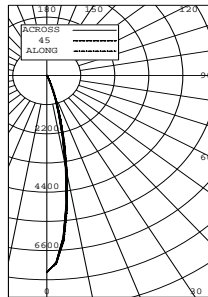
20W LED 3000K-83

SPOT DISTRIBUTION
LTL # 818198



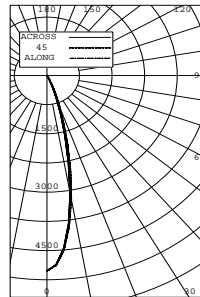
Candelas at Nadir	
Deg	Candela
0	11999
5	8118
15	1462
25	65
35	6
45	0

NARROW FLOOD DISTRIBUTION
LTL # 818199



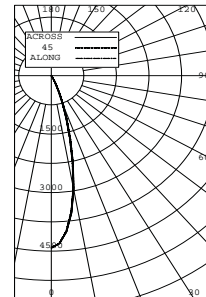
Candelas at Nadir	
Deg	Candela
0	7421
5	6260
15	1564
25	126
35	11
45	1

MEDIUM FLOOD DISTRIBUTION
LTL # 818200



Candelas at Nadir	
Deg	Candela
0	5022
5	4486
15	1651
25	210
35	12
45	0

FLOOD DISTRIBUTION
LTL # 818201

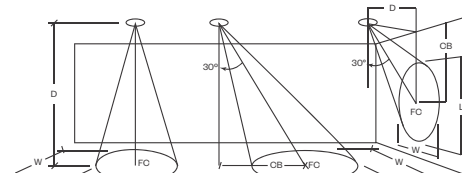


Candelas at Nadir	
Deg	Candela
0	4416
5	3999
15	1623
25	218
35	12
45	0

APPLICATION DATA:

Notes and Definitions:

Beam spread is to 50% center beam candlepower (CBCP).
 D=Distance to floor or wall.
 FC=Footcandles on floor or wall at center beam aiming location.
 L=Effective Visual Beam length in feet (50% of maximum footcandle level).
 W=Effective Visual Beam width in feet (50% of maximum footcandle level).
 CB=Distance across or down to center beam location.



	0° Aiming Angle Horizontal Footcandles			
	D	FC	L	W
SPOT	5.0'	278	1.8	1.8
	7.5'	156	2.5	2.5
	10.0'	97	3.1	3.1
	12.5'	66	3.6	3.6
NARROW FLOOD	5.0'	212	2.1	2.1
	7.5'	111	2.9	2.9
	10.0'	67	3.6	3.6
	12.5'	44	4.5	4.4
MEDIUM FLOOD	5.0'	167	2.4	2.3
	7.5'	82	3.3	3.2
	10.0'	48	4.3	4.2
	12.5'	31	5.3	5.2
FLOOD	5.0'	143	2.5	2.5
	7.5'	71	3.4	3.5
	10.0'	41	4.5	4.6
	12.5'	27	5.5	5.6

HORNET HP DOWNLIGHT

3.5" SQUARE PINHOLE ADJUSTABLE LED

HDL-HP-SPA-A14
LED



TYPE:



DIMMING COMPATIBILITY:

Amerlux® "Hornet" fixtures are compatible with all major dimming protocols prevalent in the United States. Please see below for general compatibilities and wiring diagrams. Amerlux recommends testing your unique dimming configuration as the exact full configuration (Dimmer, Fixture Quantity, Voltage, etc) may affect dimming performance.

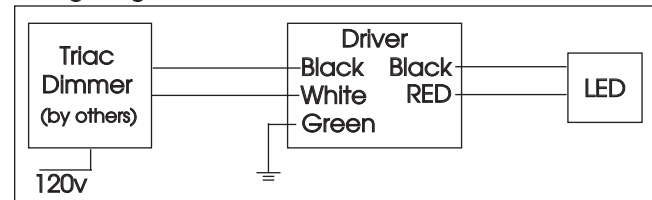
TRIAC (Forward Phase) DIMMING (standard)

Utilizes "Standard" incandescent dimmers that are in wide use in installations across the US. Best for retrofit applications where Triac dimmers are installed.

Notes:

- 120v or 277v
- Dims down to less than 5% light output (most cases)
- Consult Dimming manufacturer for installation instructions - DO NOT SHARE NEUTRALS!
- Must meet dimmer Minimum Load Requirements per dimming manufacturer

Wiring Diagram



Compatible Dimmers

Wall Box (Incandescent Style, Wattage as required)

Lutron "Diva"	Lutron "Vareo"
Lutron "Nova-T"	Lutron "Skylark"
Lutron "Maestro"	

Central System

ETC "SR" Rack w/D20 Module	ETC "DRD" Rack w/D20 Module
Lutron "GP" Panel	Lutron Grafix Eye QS

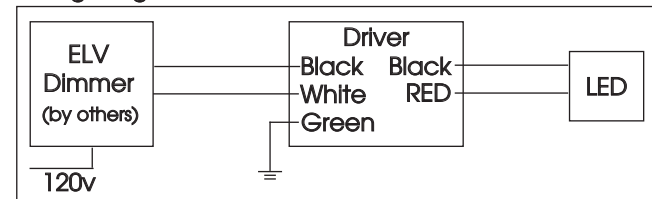
ELV - Electronic Low Voltage (Reverse Phase) DIMMING (standard)

Utilizes specialized "ELV" dimmers. Best for New Construction applications

Notes:

- 120v or 277v
- Dims down to less than 5% light output (most cases)
- Consult Dimming manufacturer for installation instructions - DO NOT SHARE NEUTRALS!
- Must meet dimmer Minimum Load Requirements

Wiring Diagram



Compatible Dimmers

Wall Box (ELV Style)

Lutron "Diva"	Lutron "Vareo"
Lutron "Nova-T"	Lutron "Skylark"
Lutron "Maestro"	
Leviton "Surslide"	Leviton "Vizio"

Central System

ETC "SR" Rack w/ELV10 Module	ETC "DRD" Rack w/ELV10 Module
Lutron "GP" Panel with PHPM-PA Interface	Lutron Grafix Eye QS with PHPM-PA Interface

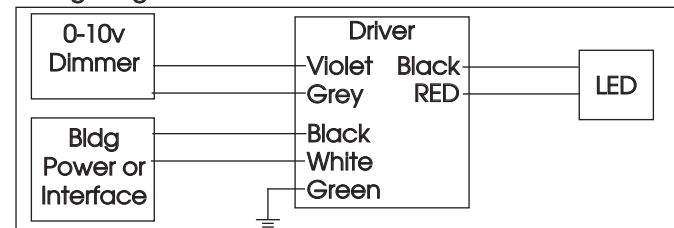
0-10V - DIMMING (-0-10V Option)

Integrates into a variety of building management and daylighting controls

Notes:

- 120v - 277v
- Dims down to 1% light output
- Requires interface to turn off power to driver
- Consult Dimming manufacturer for installation instructions - DO NOT SHARE NEUTRALS!

Wiring Diagram



Compatible Dimmers

Wall Box

Lutron "Diva" - DVTV with PP-120H Interface	Leviton Renoir II 0-10v
---	-------------------------

Central System

Lutron Grafix Eye with GRX-TVI Interface
--

HORNET® HP DOWNLIGHT

3.5" SQUARE PINHOLE ADJUSTABLE LED

HDL-HP-SPA-A14
LED



TYPE:



LUTRON HI-LUME / ECO-SYSTEM (-HILUME Option)

Integrates into a variety of building management and daylighting controls

Notes:

- 120v or 277v
- Dims down to 1% light output
- May use 3-Wire or Ecosystem Control
- Consult Dimming manufacturer for installation instructions - DO NOT SHARE NEUTRALS!

Compatible Dimmers

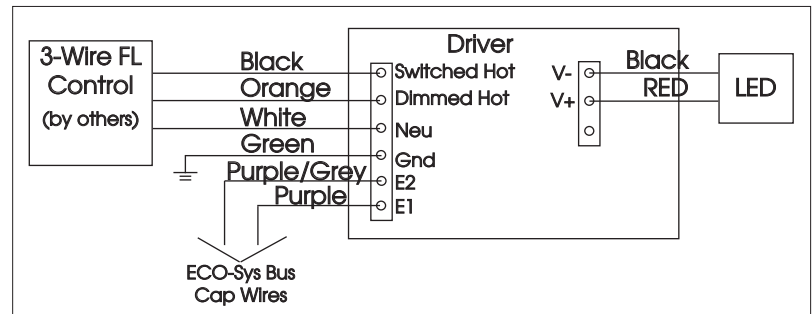
Wall Box (3-Wire Fluorescent)

DIVA
Maestro
Nova T
Vareo

Central System

Lutron ECO-System compatible controls
ETC "SR" Rack w/D20F Module
ETC "DRD" Rack w/D20F Module

3-Wire Wiring Diagram



ECO System Digital Control Wiring

