

# HORNET® HP DOWNLIGHT

3.5" ROUND PINHOLE ADJUSTABLE SLOT TRIMLESS LED

HDL-HP-RPAS-A14-TL  
LED

## APPLICATIONS:

Retail and commercial accent & display lighting

## CONSTRUCTION:

20 ga. galvanized steel frame  
18 ga. galvanized steel splice housing and hanger brackets  
Cast aluminum plaster frame with perforated face  
Die-cast optical housing  
Extruded aluminum and die-cast heat sink  
Formed steel faceplate

## ELECTRICAL:

Electronic constant current LED driver, 120v or 277v input  
ELV and Triac dimming standard, 120v or 277v.  
0-10v and Lutron systems available. See following pages for more information.

This product complies with IEEE C62.41 for surge endurance up to 2.5KV. Amerlux® recommends using additional surge protection with this unit (supplied by others), surge damage is not covered by warranty.

## MOUNTING:

For use in sheet rock ceilings, typical ceiling thickness 5/8"

## OPTICS:

LED:

Color Temp Options: 2200K, 2700K, 3000K, 3500K, 4000K  
CRI: 83 typ. (2700K, 3000K, 3500K, 4000K)  
90+ typ. (2200K, 2700K, 3000K)

Optional Amerlux CrispWhite technology (18w max)  
R9 Value: 11 (83CRI), 55 (90+CRI)

Binning: 3 MacAdam (SDMC)

Lumen Maintenance: >70% of initial lumens @ 50,000 hrs

Lumen Output (at 3000K):

18W:SP 914 typ	20W:SP 1016 typ
NF 818 typ	NF 909 typ
MFL 766 typ	MFL 851 typ
FL 750 typ	FL 833 typ

0-30° lockable tilt, 358° rotation

## LABELING:

 approved to UL standards as tested by CSA.

For indoor use only  
IC/AT rated (optional)  
Damp location



PROJECT:

TYPE:

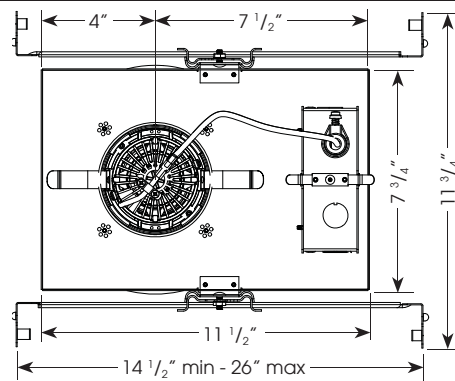


Electrostatic sensitive device,  
observe precautions for  
handling

Title 24  
Compliant

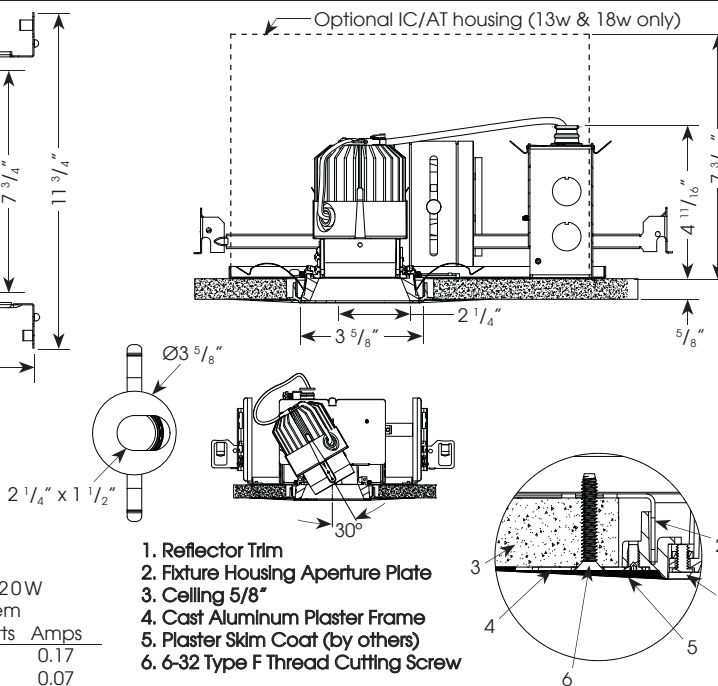
5 year limited  
warranty  
AMERLUX LED

(see website for details)



Ceiling Cut Out Dimension: 4 1/2" dia.

Note: See 4th pg for Emergency Battery Pack (EM) dimensions



1. Reflector Trim
2. Fixture Housing Aperture Plate
3. Ceiling 5/8"
4. Cast Aluminum Plaster Frame
5. Plaster Skim Coat (by others)
6. 6-32 Type F Thread Cutting Screw

## ELECTRICAL

Electronic driver

	13W		18W		20W	
	System Watts	Amps	System Watts	Amps	System Watts	Amps
120v	13	0.11	18	0.15	20	0.17
277v	13	0.05	18	0.06	20	0.07

## ORDERING INFORMATION:

Housing:					Trim:				
Model	Wattage	Lamp Type	Voltage	Options	Model	Trim Finish	Beam Spread	Color Temp (CCT-CRI)	Options/Accessories
HDL-HP-R-A14-TL	13* 18* 20	LED	120 277	HILUME - Lutron Hi-lume® dimming 0-10V* - 0-10v dimming CP - Chicago Plenum EM - emergency battery pack with remote test switch (not for use with CP or IC/AT options) IC/AT* - insulated ceiling/air tight (13w & 18w only)	HDL-HP-RPAS-A14-TL	MW - matte white MB - matte black SLV - matte silver PC - polished chrome BSS - brushed stainless steel	SP* - spot, 15° NF* - narrow flood, 20° MFL* - medium flood, 24° FL* - flood, 28°	27 - 2700K-83 30 - 3000K-83 35 - 3500K-83 40 - 4000K-83 229 - 2200K-90+ 279* - 2700K-90+ 309* - 3000K-90+	HEX - hexcell louver SOL - solite beam softening lens
								CRISP - Crisp White (18W max)	

Complete Example: HDL-HP-R-A14-TL-20-LED-120/HDL-HP-RPAS-A14-TL-MW-FL-30

Housing Example: HDL-HP-R-A14-TL-20-LED-120

Reflector Example: HDL-HP-RPAS-A14-TL-MW-FL-30

Cat #:

\* Title 24 Compliant

Amerlux reserves the right to change details that do not affect overall function and performance.

# HORNET® HP DOWNLIGHT

3.5" ROUND PINHOLE ADJUSTABLE SLOT TRIMLESS LED

HDL-HP-RPAS-A14-TL  
LED



TYPE:

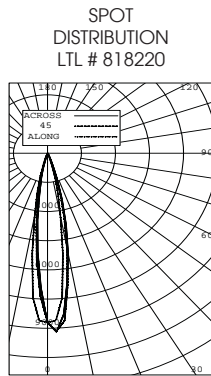


**FIXTURE DATA:** For 13W data, multiply by 0.71; For 18W data, multiply by 0.90

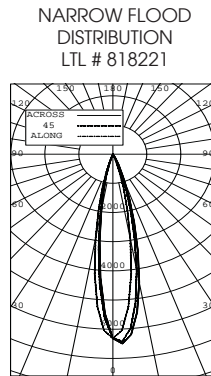
Complete photometric data (ies format) available upon request.

CCT Conversion Factor: 2700K-83 = 0.96; 3500K-83 = 1.02; 4000K-83 = 1.04; 2200K-90+ = 0.71; 2700-90+ = 0.80; 3000K-90+ = 0.83; CRISP = 0.65

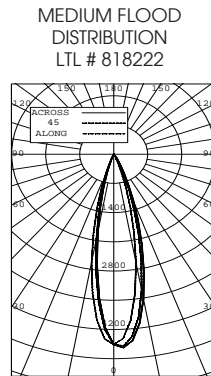
## 20W LED 3000K-83



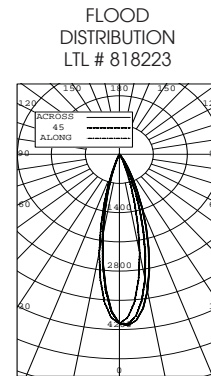
Candelas at Nadir	
Deg	Candela
0	8708
5	7439
15	1282
25	33
35	5
45	0



Candelas at Nadir	
Deg	Candela
0	6311
5	5258
15	1202
25	62
35	7
45	0



Candelas at Nadir	
Deg	Candela
0	4560
5	3994
15	1320
25	116
35	8
45	0

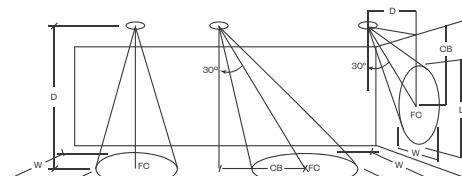


Candelas at Nadir	
Deg	Candela
0	4055
5	3556
15	1218
25	113
35	8
45	0

## APPLICATION DATA:

### Notes and Definitions:

Beam spread is to 50% center beam candlepower (CBCP).  
 D=Distance to floor or wall.  
 FC=Footcandles on floor or wall at center beam aiming location.  
 L=Effective Visual Beam length in feet (50% of maximum footcandle level).  
 W=Effective Visual Beam width in feet (50% of maximum footcandle level).  
 CB=Distance across or down to center beam location.



	0° Aiming Angle Horizontal Footcandles			
	D	FC	L	W
SPOT	5.0'	233	2.0	1.9
	7.5'	127	2.6	2.6
	10.0'	77	3.3	3.3
	12.5'	52	4.0	4.0
NARROW FLOOD	5.0'	180	2.2	2.0
	7.5'	94	2.9	2.8
	10.0'	57	3.8	3.6
	12.5'	38	4.6	4.5
MEDIUM FLOOD	5.0'	140	2.3	2.3
	7.5'	71	3.3	3.1
	10.0'	42	4.3	4.1
	12.5'	28	5.2	5.2
FLOOD	5.0'	127	2.5	2.3
	7.5'	64	3.6	3.2
	10.0'	38	4.6	4.2
	12.5'	25	5.8	5.4

# HORNET® HP DOWNLIGHT

3.5" ROUND PINHOLE ADJUSTABLE SLOT TRIMLESS LED

HDL-HP-RPAS-A14-TL  
LED



TYPE:



**DIMMING COMPATIBILITY:**

Amerlux® "Hornet" fixtures are compatible with all major dimming protocols prevalent in the United States. Please see below for general compatibilities and wiring diagrams. Amerlux recommends testing your unique dimming configuration as the exact full configuration (Dimmer, Fixture Quantity, Voltage, etc) may affect dimming performance.

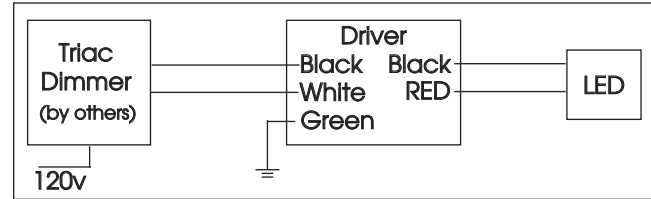
**TRIAC (Forward Phase) DIMMING (standard)**

Utilizes "Standard" incandescent dimmers that are in wide use in installations across the US. Best for retrofit applications where Triac dimmers are installed.

**Notes:**

- 120v or 277v
- Dims down to less than 5% light output (most cases)
- Consult Dimming manufacturer for installation instructions - DO NOT SHARE NEUTRALS!
- Must meet dimmer Minimum Load Requirements per dimming manufacturer

Wiring Diagram



**Compatible Dimmers**

**Wall Box** (Incandescent Style, Wattage as required)

Lutron "Diva"  
Lutron "Nova-T"  
Lutron "Maestro"

Lutron "Vareo"  
Lutron "Skylark"

**Central System**

ETC "SR" Rack w/D20 Module  
Lutron "GP" Panel

ETC "DRD" Rack w/D20 Module  
Lutron Grafix Eye QS

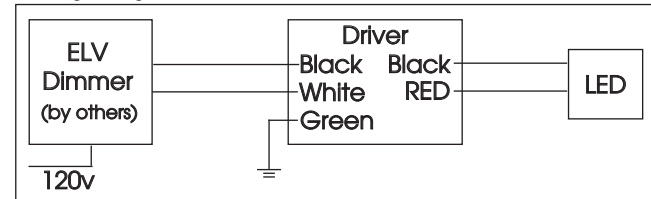
**ELV - Electronic Low Voltage (Reverse Phase) DIMMING (standard)**

Utilizes specialized "ELV" dimmers. Best for New Construction applications

**Notes:**

- 120v or 277v
- Dims down to less than 5% light output (most cases)
- Consult Dimming manufacturer for installation instructions - DO NOT SHARE NEUTRALS!
- Must meet dimmer Minimum Load Requirements

Wiring Diagram



**Compatible Dimmers**

**Wall Box** (ELV Style)

Lutron "Diva"  
Lutron "Nova-T"  
Lutron "Maestro"  
Leviton "Surslide"

Lutron "Vareo"  
Lutron "Skylark"  
Leviton "Vizio"

**Central System**

ETC "SR" Rack w/ELV10 Module  
Lutron "GP" Panel with PPHM-PA Interface

ETC "DRD" Rack w/ELV10 Module  
Lutron Grafix Eye QS with PPHM-PA Interface

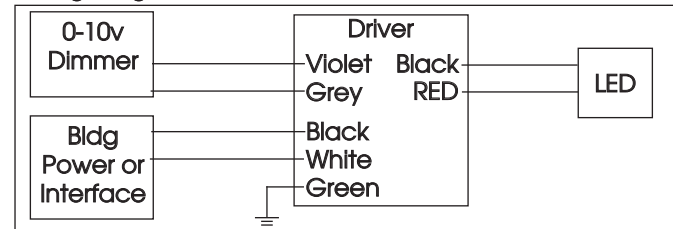
**0-10V - DIMMING (-0-10V Option)**

Integrates into a variety of building management and daylighting controls

**Notes:**

- 120v - 277v
- Dims down to 1% light output
- Requires interface to turn off power to driver
- Consult Dimming manufacturer for installation instructions - DO NOT SHARE NEUTRALS!

Wiring Diagram



**Compatible Dimmers**

**Wall Box**

Lutron "Diva" - DVTV with PP-120H Interface

Leviton Renoir II 0-10v

**Central System**

Lutron Grafix Eye with GRX-TVI Interface

# HORNET® HP DOWNLIGHT

3.5" ROUND PINHOLE ADJUSTABLE SLOT TRIMLESS LED

HDL-HP-RPAS-A14-TL  
LED



TYPE:



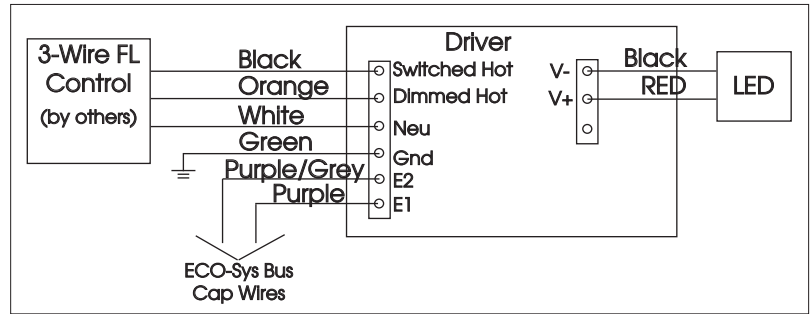
## LUTRON HI-LUME / ECO-SYSTEM (-HILUME Option)

Integrates into a variety of building management and daylighting controls

### Notes:

- 120v or 277v
- Dims down to 1% light output
- May use 3-Wire or Ecosystem Control
- Consult Dimming manufacturer for installation instructions - DO NOT SHARE NEUTRALS!

### 3-Wire Wiring Diagram



### Compatible Dimmers

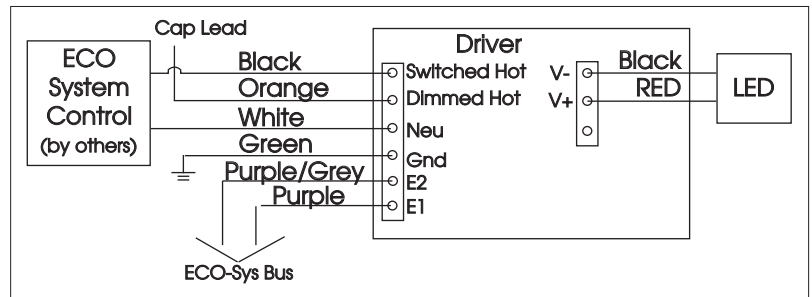
#### Wall Box (3-Wire Fluorescent)

- DIVA
- Maestro
- Nova T
- Vareo

#### Central System

- Lutron ECO-System compatible controls
- ETC "SR" Rack w/D20F Module
- ETC "DRD" Rack w/D20F Module

### ECO System Digital Control Wiring



### Emergency Battery Pack (EM) option

