

HORNET® HP DOWNLIGHT

3.5" SQUARE PINHOLE ADJUSTABLE SHOWER LED

APPLICATIONS:

Retail and commercial accent & display lighting

CONSTRUCTION:

20 ga. galvanized steel frame
 18 ga. galvanized steel splice housing and hanger brackets
 Die-cast optical housing
 Extruded aluminum and die-cast heat sink
 Formed steel faceplate with gasket
 Siliconed Solite lens

ELECTRICAL:

Electronic constant current LED driver, 120v or 277v input
 ELV and Triac dimming standard, 120v or 277v.
 0-10v and Lutron systems available. See following pages for more information.

This product complies with IEEE C62.41 for surge endurance up to 2.5KV. Amerlux® recommends using additional surge protection with this unit (supplied by others), surge damage is not covered by warranty.


OPTICS:

LED:
 Color Temp Options: 2200K, 2700K, 3000K, 3500K, 4000K
 CRI: 83 typ. (2700K, 3000K, 3500K, 4000K)
 90+ typ. (2200K, 2700K, 3000K)
 Optional Amerlux CrispWhite technology (18w max)
 R9 Value: 11 (83CRI), 55 (90+CRI)
 Binning: 3 MacAdam (SDCM)
 Lumen Maintenance: >70% of initial lumens @ 50,000 hrs
 0-20° lockable tilt, 358° rotation

MOUNTING:

For use in T-grid or sheet rock ceilings, 5/8" - 2" standard.

LABELING:

 approved to UL standards as tested by CSA.
 IC/AT rated (optional)
 Wet location

HDL-HP-SPASHW-A14
 LED



PROJECT:

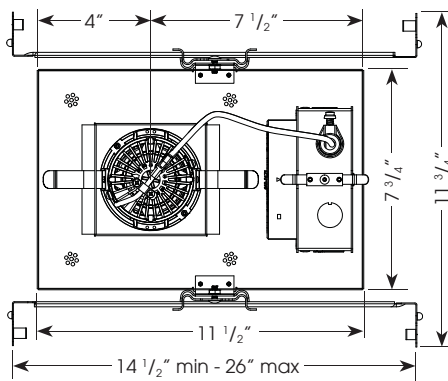
TYPE:



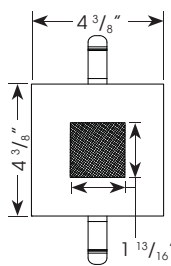
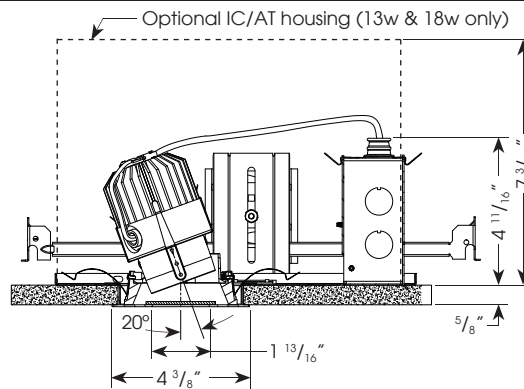
Electrostatic sensitive device,
 observe precautions for
 handling

Title 24
 Compliant

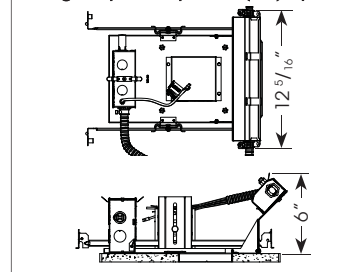
5 year limited
 warranty
 AMERLUX LED
 (see website for details)



Ceiling Cut Out Dimension: 4" sq



Emergency Battery Pack (EM) option



ELECTRICAL

Electronic driver

| | 13W | | 18W | | 20W | |
|------|--------------|------|--------------|------|--------------|------|
| | System Watts | Amps | System Watts | Amps | System Watts | Amps |
| 120v | 13 | 0.11 | 18 | 0.15 | 20 | 0.17 |
| 277v | 13 | 0.05 | 18 | 0.06 | 20 | 0.07 |

ORDERING INFORMATION:

| Housing: Model | Wattage | Lamp Type | Voltage | Options | Trim: Model | Trim Finish | Beam Spread | Color Temp (CCT-CRI) |
|----------------|------------------|-----------|------------|--|-------------------|---|--|---|
| HDL-HP-S-A14 | 13* 18* 20 | LED | 120 277 | HILUME - Lutron Hi-lume® dimming 0-10V* - 0-10v dimming CP - Chicago Plenum EM - emergency battery pack with remote test switch (not for use with CP or IC/AT options) IC/AT* - insulated ceiling/air tight (13w & 18w only) | HDL-HP-SPASHW-A14 | MW - matte white MB - matte black SLV - matte silver PC - polished chrome BSS - brushed stainless steel | SP* - spot, 15° NF* - narrow flood, 20° MFL* - medium flood, 24° FL* - flood, 28° | 27 - 2700K-83 30 - 3000K-83 35 - 3500K-83 40 - 4000K-83 229 - 2200K-90+ 279* - 2700K-90+ 309* - 3000K-90+ |

Complete Example: HDL-HP-S-A14-20-LED-120/HDL-HP-SPASHW-A14-MW-FL-30
 Housing Example: HDL-HP-S-A14-20-LED-120
 Reflector Example: HDL-HP-SPASHW-A14-MW-FL-30

Cat #:

* Title 24 Compliant

Amerlux reserves the right to change details that do not affect overall function and performance.



HORNET® HP DOWNLIGHT

3.5" SQUARE PINHOLE ADJUSTABLE SHOWER LED

HDL-HP-SPASHW-A14
LED



TYPE:



DIMMING COMPATIBILITY:

Amerlux® "Hornet" fixtures are compatible with all major dimming protocols prevalent in the United States. Please see below for general compatibilities and wiring diagrams. Amerlux recommends testing your unique dimming configuration as the exact full configuration (Dimmer, Fixture Quantity, Voltage, etc) may affect dimming performance.

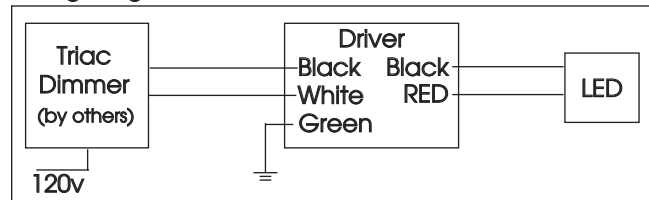
TRIAC (Forward Phase) DIMMING (standard)

Utilizes "Standard" incandescent dimmers that are in wide use in installations across the US. Best for retrofit applications where Triac dimmers are installed.

Notes:

- 120v or 277v
- Dims down to less than 5% light output (most cases)
- Consult Dimming manufacturer for installation instructions - DO NOT SHARE NEUTRALS!
- Must meet dimmer Minimum Load Requirements per dimming manufacturer

Wiring Diagram



Compatible Dimmers

Wall Box (Incandescent Style, Wattage as required)

Lutron "Diva"
Lutron "Nova-T"
Lutron "Maestro"

Lutron "Vareo"
Lutron "Skylark"

Central System

ETC "SR" Rack w/D20 Module
Lutron "GP" Panel

ETC "DRD" Rack w/D20 Module
Lutron Grafix Eye QS

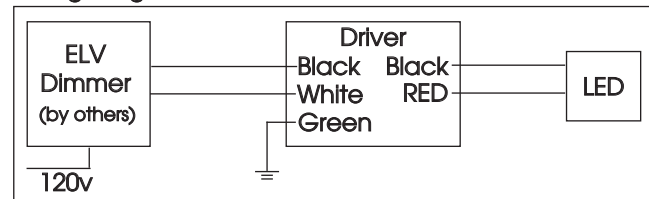
ELV - Electronic Low Voltage (Reverse Phase) DIMMING (standard)

Utilizes specialized "ELV" dimmers. Best for New Construction applications

Notes:

- 120v or 277v
- Dims down to less than 5% light output (most cases)
- Consult Dimming manufacturer for installation instructions - DO NOT SHARE NEUTRALS!
- Must meet dimmer Minimum Load Requirements

Wiring Diagram



Compatible Dimmers

Wall Box (ELV Style)

Lutron "Diva"
Lutron "Nova-T"
Lutron "Maestro"
Leviton "Surslide"

Lutron "Vareo"
Lutron "Skylark"
Leviton "Vizio"

Central System

ETC "SR" Rack w/ELV10 Module
Lutron "GP" Panel with PPHM-PA Interface

ETC "DRD" Rack w/ELV10 Module
Lutron Grafix Eye QS with PPHM-PA Interface

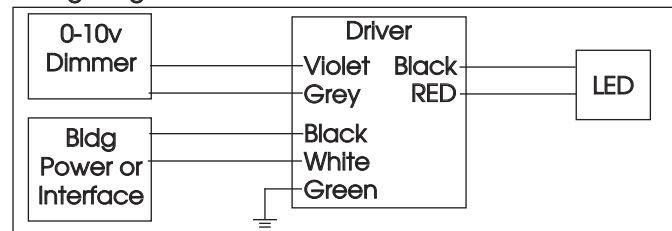
0-10V - DIMMING (-0-10V Option)

Integrates into a variety of building management and daylighting controls

Notes:

- 120v - 277v
- Dims down to 1% light output
- Requires interface to turn off power to driver
- Consult Dimming manufacturer for installation instructions - DO NOT SHARE NEUTRALS!

Wiring Diagram



Compatible Dimmers

Wall Box

Lutron "Diva" - DVTV with PP-120H Interface

Leviton Renoir II 0-10v

Central System

Lutron Grafix Eye with GRX-TVI Interface

HORNET® HP DOWNLIGHT

3.5" SQUARE PINHOLE ADJUSTABLE SHOWER LED

HDL-HP-SPASHW-A14
LED



TYPE:



LUTRON HI-LUME / ECO-SYSTEM (-HILUME Option)

Integrates into a variety of building management and daylighting controls

Notes:

- 120v or 277v
- Dims down to 1% light output
- May use 3-Wire or Ecosystem Control
- Consult Dimming manufacturer for installation instructions - DO NOT SHARE NEUTRALS!

Compatible Dimmers

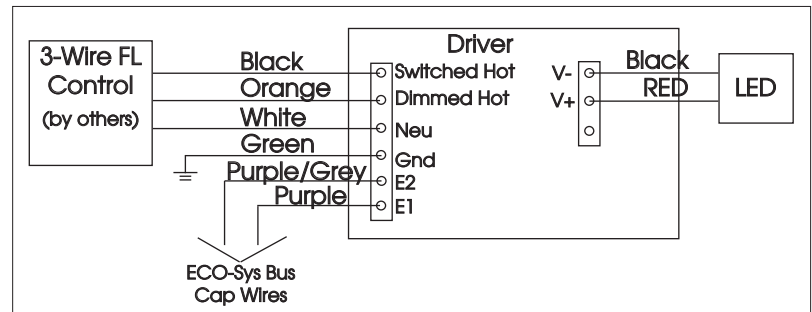
Wall Box (3-Wire Fluorescent)

DIVA
Maestro
Nova T
Vareo

Central System

Lutron ECO-System compatible controls
ETC "SR" Rack w/D20F Module
ETC "DRD" Rack w/D20F Module

3-Wire Wiring Diagram



ECO System Digital Control Wiring

