

# LINEA® 1.5"

## LINEAR DIRECT/INDIRECT LED

### APPLICATIONS:

Commercial and retail direct/indirect ambient lighting

### CONSTRUCTION:

One piece extruded aluminum housing  
Internal components are die-formed galvanized and cold-rolled steel  
Individual housing lengths are 47 3/4" or 95 1/4"  
Continuous rows can be provided to the nearest foot  
High reflectance white finish. For other finishes, consult factory

### MOUNTING:

Aircraft cable suspension or wall mount option  
Fixtures may be continuously row-mounted or configured in a pattern, consult factory  
Fixture placement: 18" minimum from ceiling to top of fixture

### LABELING:



For indoor use only

### OPTICS:

5w/ft or 10w/ft for direct component  
5w/ft or 10w/ft for uplight component  
Die-formed high reflectance white enamel reflector  
Batwing uplight component  
**Lens:** 100% extruded acrylic lens with custom formulation for lamp image diffusion and maximum light transmission. Flush mount snap-in installation. Clear lens cover or batwing lens for uplight  
**Louver (optional):**  
Straight blade louver, 1/2" high, 1/2" o.c., with overlay.

### ELECTRICAL:

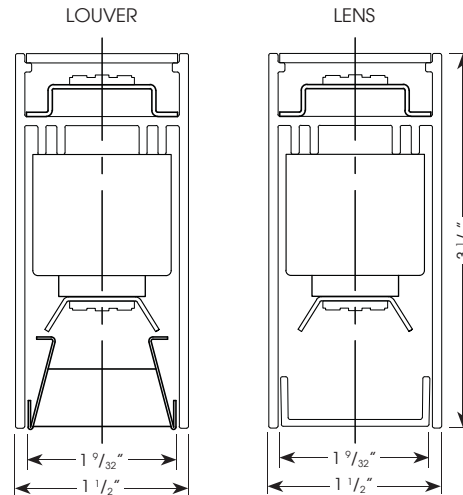
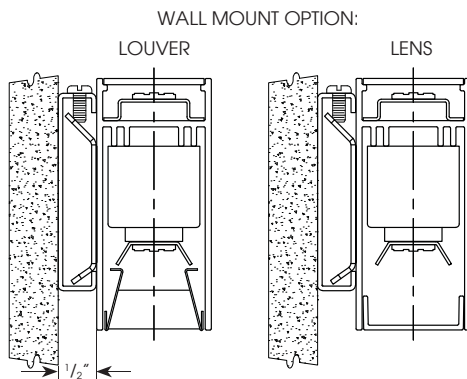
Electronic, multi-volt (120v-277v) constant current driver  
0-10v dimming standard  
**This product complies with IEEE C62.41 for surge endurance up to 3KV. Amerlux® recommends using additional surge protection with this unit (supplied by others), surge damage is not covered by warranty.**  
**Emergency circuit via remote inverter or auxiliary emergency power supply (by others)**

LIN1.5-DI  
LED



PROJECT:

TYPE:



ASYMMETRIC LENS:

For Asymmetric distribution this should be opposite the wall

### ELECTRICAL

Electronic driver

Wattage per foot		4'		8'	
		System watts	Amps	System watts	Amps
5	120v	20	.17	40	.33
	277v	20	.07	40	.14
10	120v	40	.33	80	.67
	277v	40	.14	80	.29

  
Electrostatic sensitive device,  
observe precautions for  
handling



Enlightened Sensor  
(optional)

**10** year limited  
warranty  
AMERLUX LED  
(see website for details)

### ORDERING INFORMATION:

Model	Light Distr./Shielding (select 1 from each list)	Mounting	Circuiting	Wattage (D/I)	Lamp Type	Color Temp	Finish	Voltage	Length*	Configuration	Options
LIN1.5-DI	<b>DIRECT:</b> LD - lens direct SLD - straight blade louver direct with overlay, specify color: B (blk), S (slv), W (wh) ASY - asymmetric lens <b>INDIRECT:</b> BAT - batwing uplight	ASW10 - aircraft cable with straight feed, (18ga., 5 conductor), white, 10" WM - wall mount	1 - single circuit 2 - up/dn switch separately	5/5 10/10 5/10 10/5	LED	2700 3000 3500 4000	HW - high reflectance white _____ (other RAL)	120/277	4 8  (run to nearest foot)*	IND - individual BOR - beginning of run MOR - middle of run EOR - end of run	HILUME-DH - Lutron Hi-lume® 3 wire, 1% dim HILUME-ECO - Lutron Hi-lume® EcoSys- tem, 1% dim ENLS - Enlighted Sensor

\*Note - For 10w fixtures - Due to driver limitations, not all output & length configurations are possible. Please consult factory.

Example: LIN1.5-DI-LD-BAT-ASW10-2-5/5-LED-3500-HW-120/277-4-IND

Cat #:

Amerlux reserves the right to change details that do not affect overall function and performance.

# LINEA® 1.5"

LINEAR DIRECT/INDIRECT LED

LIN1.5-DI  
LED

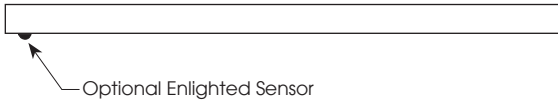


TYPE:

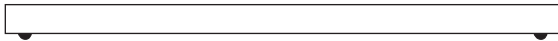


## STANDARD PLACEMENT(S) FOR (OPTIONAL) ENLIGHTENED SENSOR:

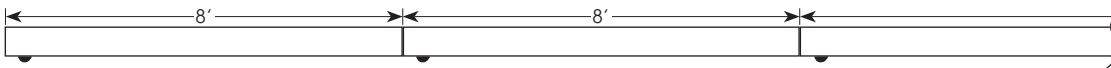
4 FT OR 8 FT DIRECT/INDIRECT, 1 CIRCUIT



4 FT OR 8 FT DIRECT/INDIRECT, 2 CIRCUIT



RUNS



# LINEA® 1.5"

LINEAR DIRECT/INDIRECT LED

LIN1.5-DI  
LED



TYPE:



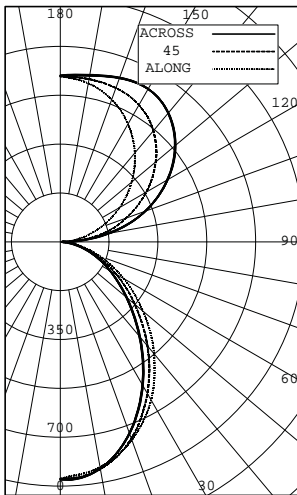
**FIXTURE DATA:** For 10w data, multiply by 1.75

Complete photometric data (ies format) available upon request.

LINEA 1.5" DIRECT/INDIRECT, 5W UP/5W DWN (PER FT), 4' FIXTURE, 3500K  
Lamp: 184 white LED's, 88 Above, 96 Below  
Mounting: Pendant Direct/Indirect

## LENS DIRECT/UPLIGHT (BATWING)

LTL# 695283



### ZONAL LUMEN SUMMARY

Zone	Lumens	%Fixt
0-30	620	15.53
0-40	966	24.21
0-60	1546	38.72
0-90	1857	46.54
40-90	891	22.31
60-90	312	7.82
90-180	2134	53.46
0-180	3991	100.00

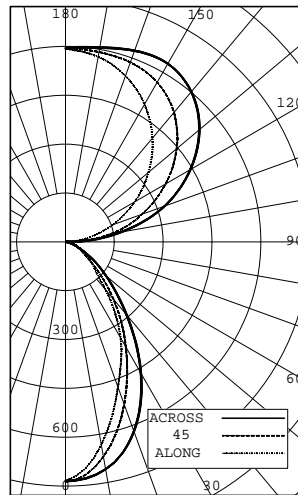
Efficacy (lumens/watt) = 95.0

### COEFFICIENTS OF UTILIZATION

RC	80			
RW	70	50	30	10
RCR	10			
0	1.06	1.06	1.06	1.06
1	0.98	0.94	0.90	0.87
2	0.89	0.83	0.77	0.72
3	0.82	0.73	0.67	0.61
4	0.76	0.66	0.58	0.53
5	0.70	0.58	0.51	0.45
6	0.64	0.53	0.45	0.40
7	0.59	0.47	0.40	0.35
8	0.55	0.43	0.36	0.30
9	0.51	0.39	0.32	0.27
10	0.47	0.36	0.29	0.24

## STRAIGHT BLADE LOUVER DIRECT/UPLIGHT (BATWING)

LTL# 695284



### ZONAL LUMEN SUMMARY

Zone	Lumens	%Fixt
0-30	448	14.64
0-40	639	20.90
0-60	853	27.88
0-90	930	30.40
40-90	291	9.50
60-90	77	2.51
90-180	2130	69.60
0-180	3060	100.00

Efficacy (lumens/watt) = 72.8

### COEFFICIENTS OF UTILIZATION

RC	80			
RW	70	50	30	10
RCR	10			
0	1.02	1.02	1.02	1.02
1	0.94	0.91	0.87	0.84
2	0.87	0.80	0.75	0.70
3	0.80	0.72	0.66	0.60
4	0.74	0.65	0.58	0.52
5	0.68	0.57	0.51	0.46
6	0.63	0.53	0.45	0.40
7	0.59	0.48	0.40	0.36
8	0.55	0.43	0.36	0.32
9	0.51	0.40	0.33	0.28
10	0.47	0.36	0.30	0.25