

HORNET® HIGH POWER

RECESSED TRIMLESS MULTIPLE 3 LIGHT LED

HORNET-HP-RTLX-
A14-3
3LT LED



APPLICATION:

Accent and display lighting for retail, commercial and hospitality environments

CONSTRUCTION:

Stamped steel mounting frame w/integral mounting bars
Steel plaster frame
Thermally protected
Steel driver housing
Extruded aluminum upper housing with knife-edge and mitered/welded corners
Complete die-cast optical head construction
No exposed wiring
Powder coat paint

MOUNTING:

For use in sheet rock ceilings, max thickness 1"

LABELING:

approved to UL standards as tested by CSA
For indoor use only

OPTICS:

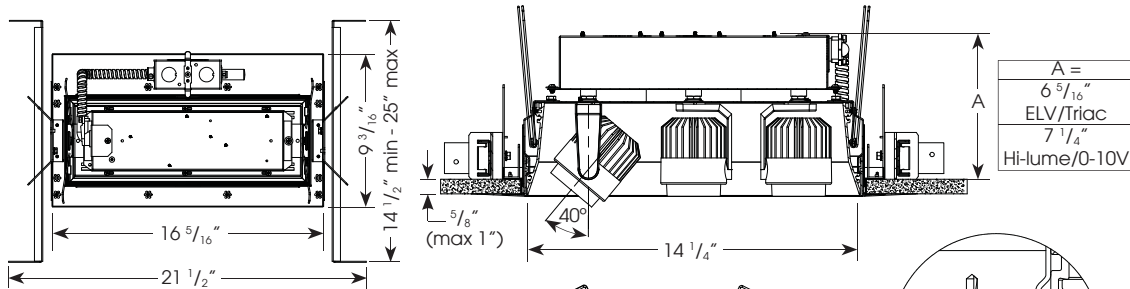
0-40° x 20° tilt, 360°+ rotation
Available in a variety of beam spreads
LED:
Color Temp Options: 2200K, 2700K, 3000K, 3500K, 4000K
CRI: 83 typ. (2700K, 3000K, 3500K, 4000K)
90+ typ. (2200K, 2700K, 3000K)
CrispWhite LED available (16w max)
R9 Values: 11 (83CRI), 55 (90+CRI)
Life: 50,000 hrs
Binning: 3 MacAdam
Lumen Output (18w, 3000K): SP 1369 lm (75 lm/w)
CBCP (18w, 3000K): SP 12,215

ELECTRICAL:

Electronic constant current LED driver, 120v or 277v input
ELV and Triac dimming standard, 120v and 277v,
0-10v and Lutron systems also available. See following pages for more information.
This product complies with IEEE C62.41 for surge endurance up to 2.5KV. Amerlux® recommends using additional surge protection with this unit (supplied by others), surge damage is not covered by warranty.

PROJECT:

TYPE:

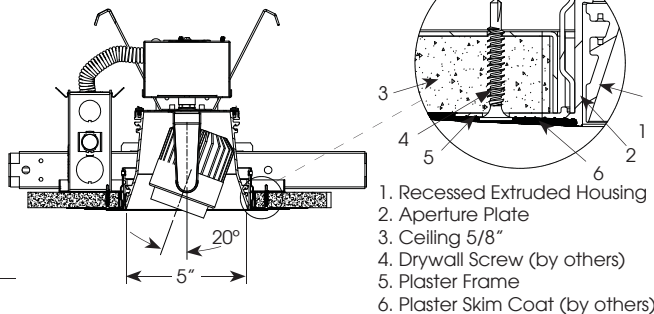


Ceiling Cut Out Dimension: 5 5/16" x 14 13/16"

ELECTRICAL

Electronic driver

	3x11w		3x16w		3x18w	
	System Watts	Amps	System Watts	Amps	System Watts	Amps
120v	33	0.28	48	0.40	54	0.45
277v	33	0.12	48	0.17	54	0.19



1. Recessed Extruded Housing
2. Aperture Plate
3. Ceiling 5/8"
4. Drywall Screw (by others)
5. Plaster Frame
6. Plaster Skim Coat (by others)

Electrostatic sensitive device, observe precautions for handling



5 year limited warranty
AMERLUX LED
(see website for details)

ORDERING INFORMATION:

FRAME Model	# Heads	Lamp Type	Voltage	Options/Accessories
HORNET-HP-R/SRTLX-FRAME	3	LED	120 277	HILUME - Lutron Hi-lume® dimming driver 0-10V - 0-10v dimming EM - emergency battery pack (1 head)

Complete Unit Specification:
HORNET-HP-R/SRTLX-FRAME-3-LED-120/
HORNET-HP-RTLX-TRIM-A14-3-16-LED-WT-120-277-FL-FL-FL-30
Frame Only: HORNET-HP-R/SRTLX-FRAME-3-LED-120
Trim Only: HORNET-HP-RTLX-TRIM-A14-3-18-LED-WT-120-277-FL-FL-FL-30

TRIM Model	# Heads	Wattage	Lamp Type	Housing/Head Finish	Voltage	Beam Spreads* Head 1	Head 2	Head 3	Color Temp (CCT(K)-CRI)	Options/Accessories
HORNET-HP-RTLX-TRIM-A14	3	11	LED	WT - white	120-277	SP	SP	SP	27 - 2700-83	SNAH - snoot accessory holder, 1" length, matte black interior, specify exterior color (WT, BT, ST), accepts cross blade plus 2 additional forms of media AH - accessory holder, specify finish (WT, BT, ST), accepts 2 forms of media CB - cross blade, matte black finish, requires snoot HEX - hexcell louver (1/8" x 1/8"), requires SNAH or AH SOL - solite beam softening lens, requires SNAH or AH HILUME - Lutron Hi-lume® dimming driver 0-10V - 0-10v dimming EM - emergency battery pack (1 head)
		16		texture		NF	NF	NF	30 - 3000-83	
		18		BT - black		MFL	MFL	MFL	35 - 3500-83	
				texture		FL	FL	FL	40 - 4000-83	
				ST - silver		WF	WF	WF	229 - 2200-90+	
				texture		VWF*	VWF*	VWF*	279 - 2700-90+	
		LS*	LS*	LS*	309 - 3000-90+					
				(other RAL)				CRISP - CrispWhite (16W max)		

*Note: VWF and LS beam spreads are not Energy Star® rated

*SP - spot 15°, NF - narrow flood 22°, MFL - medium flood 25°, FL - flood 28°, WF - wide flood 45°, VWF - very wide flood 60°, LS - linear spread 60°x10°

Cat #:

Amerlux reserves the right to change details that do not affect overall function and performance.



HORNET® HIGH POWER

RECESSED TRIMLESS MULTIPLE 3 LIGHT LED

HORNET-HP-RTLX-
A14-3
3LT LED



TYPE:



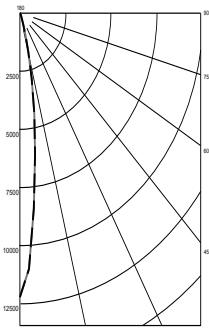
FIXTURE DATA: For 11w data, multiply by 0.71; For 16w data, multiply by 0.88

Complete photometric data (ies format) available upon request.

Note: Data per head

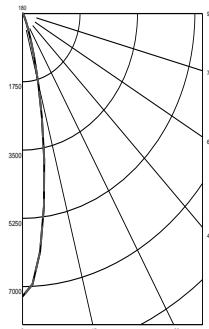
18W LED

SPOT (SP)
DISTRIBUTION
LTL #855377



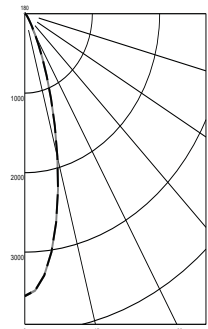
Candelas at Nadir	
Deg	Candela
0	12215
5	8436
15	1705
25	204
35	77
45	26

NARROW FLOOD (NF)
DISTRIBUTION
LTL #860527



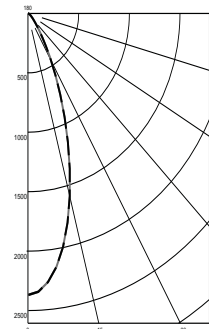
Candelas at Nadir	
Deg	Candela
0	7252
5	6128
15	1841
25	309
35	93
45	41

FLOOD (FL)
DISTRIBUTION
LTL # 860528



Candelas at Nadir	
Deg	Candela
0	3551
5	3304
15	1861
25	612
35	156
45	57

WIDE FLOOD (WF)
DISTRIBUTION
LTL # 860529

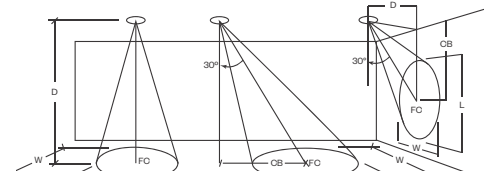


Candelas at Nadir	
Deg	Candela
0	2369
5	2268
15	1592
25	754
35	251
45	82

APPLICATION DATA:

Notes and Definitions:

Beam spread is to 50% center beam candlepower (CBCP).
D=Distance to floor or wall.
FC=Footcandles on floor or wall at center beam aiming location.
L=Effective Visual Beam length in feet (50% of maximum footcandle level).
W=Effective Visual Beam width in feet (50% of maximum footcandle level).
CB=Distance across or down to center beam location.



0° Aiming Angle
Horizontal
Footcandles



30° Aiming Angle
Horizontal
Footcandles



30° Aiming Angle
Vertical
Footcandles



60° Aiming Angle
Vertical
Footcandles

	0° Aiming Angle Horizontal Footcandles				30° Aiming Angle Horizontal Footcandles					30° Aiming Angle Vertical Footcandles					60° Aiming Angle Vertical Footcandles				
	D	FC	L	W	D	FC	L	W	CB	D	FC	L	W	CB	D	FC	L	W	CB
SPOT	5.0'	484	1.4	1.4	5.0'	313	1.8	1.5	3.0	3.0'	178	3.0	1.6	5.0	3.0'	630	1.6	1.1	2.0
	7.5'	216	2.0	2.0	7.5'	136	2.8	2.4	4.0	4.0'	105	3.8	2.1	6.0	4.0'	450	1.6	1.3	2.0
	10.0'	122	2.7	2.7	10.0'	76	3.7	3.2	6.0	5.0'	67	4.8	2.7	8.0	5.0'	298	2.0	1.6	3.0
	12.5'	78	3.4	3.4	12.5'	46	4.8	4.2	7.0	6.0'	47	5.9	3.2	9.0	6.0'	200	2.4	1.9	3.0
NARROW FLOOD	5.0'	289	1.7	1.7	5.0'	187	2.4	2.1	3.0	3.0'	127	3.3	1.8	4.0	3.0'	422	1.9	1.3	2.0
	7.5'	129	2.8	2.8	7.5'	86	3.5	3.1	4.0	4.0'	70	4.4	2.7	6.0	4.0'	298	1.9	1.5	2.0
	10.0'	73	3.6	3.6	10.0'	47	4.7	4.1	5.0	5.0'	47	5.3	3.2	7.0	5.0'	181	2.5	2.1	3.0
	12.5'	47	4.5	4.5	12.5'	31	5.8	5.2	7.0	6.0'	32	6.7	3.9	8.0	6.0'	133	2.8	2.5	3.0
FLOOD	5.0'	142	2.7	2.7	5.0'	92	3.4	3.1	3.0	3.0'	75	3.8	2.7	4.0	3.0'	232	2.3	1.7	2.0
	7.5'	63	3.9	3.9	7.5'	43	4.9	4.4	4.0	4.0'	44	4.9	3.3	5.0	4.0'	154	2.7	2.4	2.0
	10.0'	36	5.2	5.2	10.0'	25	6.4	5.8	5.0	5.0'	29	6.1	4.1	6.0	5.0'	95	3.4	3.0	2.0
	12.5'	23	6.5	6.5	12.5'	16	8.0	7.2	6.0	6.0'	20	7.4	5.1	7.0	6.0'	69	3.8	3.5	3.0
WIDE FLOOD	5.0'	95	3.2	3.2	5.0'	67	3.9	3.4	2.0	3.0'	63	3.7	2.8	3.0	3.0'	180	2.4	2.0	1.0
	7.5'	42	4.8	4.8	7.5'	30	5.7	5.3	3.0	4.0'	36	4.9	3.7	4.0	4.0'	105	3.2	2.9	2.0
	10.0'	24	6.4	6.4	10.0'	17	7.6	7.1	4.0	5.0'	23	6.1	4.8	5.0	5.0'	69	3.8	3.5	2.0
	12.5'	15	8.0	8.0	12.5'	11	9.6	8.9	5.0	6.0'	16	7.5	5.7	6.0	6.0'	47	4.7	4.3	3.0

HORNET® HIGH POWER

RECESSED TRIMLESS MULTIPLE 3 LIGHT LED

HORNET-HP-RTLX-
A14-3
3LT LED



TYPE:



DIMMING COMPATIBILITY:

Amerlux® "Hornet" fixtures are compatible with all major dimming protocols prevalent in the United States. Please see below for general compatibilities and wiring diagrams. Amerlux recommends testing your unique dimming configuration as the exact full configuration (Dimmer, Fixture Quantity, Voltage, etc) may affect dimming performance.

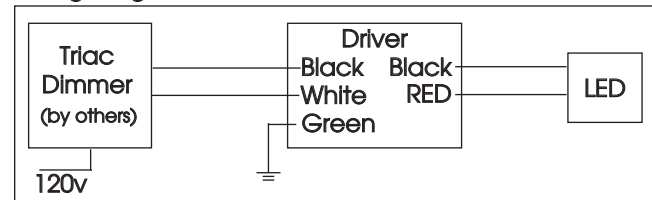
TRIAC (Forward Phase) DIMMING (standard)

Utilizes "Standard" incandescent dimmers that are in wide use in installations across the US. Best for retrofit applications where Triac dimmers are installed.

Notes:

- 120v and 277v
- Dims down to less than 5% light output (most cases)
- Consult Dimming manufacturer for installation instructions - DO NOT SHARE NEUTRALS!
- Must meet dimmer Minimum Load Requirements per dimming manufacturer

Wiring Diagram



Compatible Dimmers

Wall Box (Incandescent Style, Wattage as required)

Lutron "Diva"	Lutron "Vareo"
Lutron "Nova-T"	Lutron "Skylark"
Lutron "Maestro"	

Central System

ETC "SR" Rack w/D20 Module	ETC "DRD" Rack w/D20 Module
Lutron "GP" Panel	Lutron Grafix Eye QS

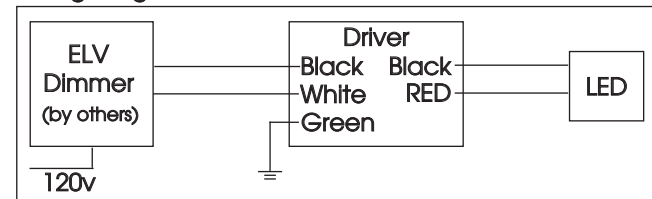
ELV - Electronic Low Voltage (Reverse Phase) DIMMING (standard)

Utilizes specialized "ELV" dimmers. Best for New Construction applications

Notes:

- 120v and 277v
- Dims down to less than 5% light output (most cases)
- Consult Dimming manufacturer for installation instructions - DO NOT SHARE NEUTRALS!
- Must meet dimmer Minimum Load Requirements

Wiring Diagram



Compatible Dimmers

Wall Box (ELV Style)

Lutron "Diva"	Lutron "Vareo"
Lutron "Nova-T"	Lutron "Skylark"
Lutron "Maestro"	
Leviton "Surslide"	Leviton "Vizio"

Central System

ETC "SR" Rack w/ELV10 Module	ETC "DRD" Rack w/ELV10 Module
Lutron "GP" Panel with PHPM-PA Interface	Lutron Grafix Eye QS with PHPM-PA Interface

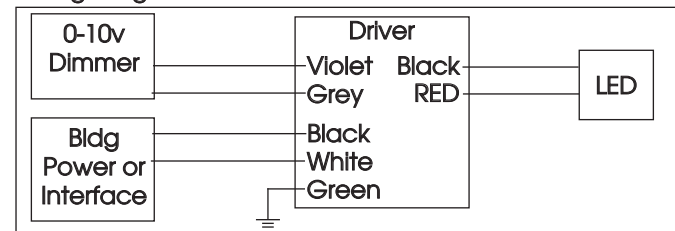
0-10V - DIMMING (-0-10V Option)

Integrates into a variety of building management and daylighting controls

Notes:

- 120v - 277v
- Dims down to less than 10% light output
- Requires interface to turn off power to driver
- Consult Dimming manufacturer for installation instructions - DO NOT SHARE NEUTRALS!

Wiring Diagram



Compatible Dimmers

Wall Box

Lutron "Diva" - DVTV with PP-120H Interface	Leviton Renoir II 0-10v
---	-------------------------

Central System

Lutron Grafix Eye with GRX-TVI Interface
--

HORNET® HIGH POWER

RECESSED TRIMLESS MULTIPLE 3 LIGHT LED

HORNET-HP-RTLX-
A14-3
3LT LED



TYPE:



LUTRON HI-LUME / ECO-SYSTEM (-HILUME Option)

Integrates into a variety of building management and daylighting controls

Notes:

- 120v or 277v
- Dims down to less than 5% light output
- May use 3-Wire or Ecosystem Control
- Consult Dimming manufacturer for installation instructions - DO NOT SHARE NEUTRALS!

Compatible Dimmers

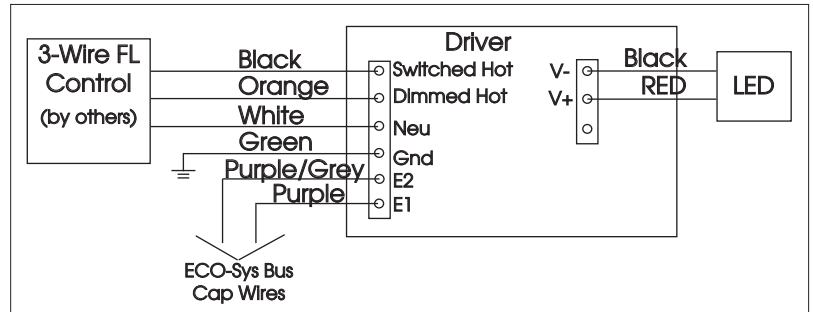
Wall Box (3-Wire Fluorescent)

DIVA
Maestro
Nova T
Vareo

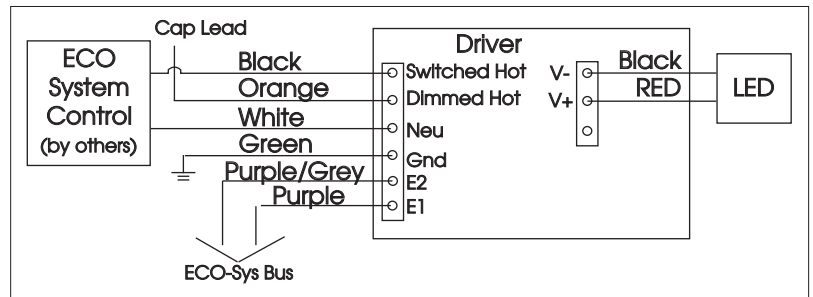
Central System

Lutron ECO-System compatible controls
ETC "SR" Rack w/D20F Module
ETC "DRD" Rack w/D20F Module

3-Wire Wiring Diagram



ECO System Digital Control Wiring



HORNET® HIGH POWER

RECESSED TRIMLESS MULTIPLE 3 LIGHT LED

HORNET-HP-RTLX-
A14-3
3LT LED



TYPE:



ENERGY STAR APPROVED MODEL NUMBERS:



Certificate of Conformance

Energy Efficiency Certification

UL conducted an independent evaluation on behalf of:

Amerlux Global Lighting Solutions

178 Bauer Dr., Oakland, NJ 07436

for the following products:

Indoor Directional Luminaire

Brand: Amerlux

Model Name: Hornet

Model Numbers: See Appendix A

This product meets all of the necessary
qualifications pursuant to:

ENERGY STAR® Program Requirements for
Luminaires, Version 2.0



Energy Verified

2016-11-01

Certification Date

N/A

Certification Revision Date

Issued by

11470949

UL Product Number

00-VS-F0418, Version 2.0, This is to certify that representative samples of the Certified Product(s) listed above have been investigated by UL to the Standard(s) indicated on this certificate, in accordance with the UL Global Services Agreement and the EEC Terms & Conditions ("Agreement"). The Certificate Holder is entitled to use the UL Energy Verified Mark for the Certified Product(s) listed on the certificate and manufactured at the production site(s) covered by the UL Test Report, in accordance with the terms of the Agreement. This Certificate shall remain valid unless a Standard identified on this Certificate is amended or withdrawn prior to that date or there is a non-compliance with the Agreement.

HORNET® HIGH POWER

RECESSED TRIMLESS MULTIPLE 3 LIGHT LED

HORNET-HP-RTLX-
A14-3
3LT LED



TYPE:



ENERGY STAR APPROVED MODEL NUMBERS:



Appendix A

Model Number	Additional Model Number	Additional Model Number
HORNET-HP-R/SRTLX-FRAME- #-###-/HORNET-HP-RTLX-TRIM- A14-#-11-LED-**-**#-###-**-2700- 92	HORNET-HP-R/SRTLX-FRAME-#- ###-/HORNET-HP-RTLX-TRIM- A14-#-11-LED-**-**#-###-**-3000- 92	HORNET-HP-R/SRTLX-FRAME-#- ###-/HORNET-HP-RTLX-TRIM- A14-#-11-LED-**-**#-###-**-3500
	HORNET-HP-R/SRTLX-FRAME-#- ###-/HORNET-HP-RTLX-TRIM- A14-#-11-LED-**-**#-###-**-2700	HORNET-HP-R/SRTLX-FRAME-#- ###-/HORNET-HP-RTLX-TRIM- A14-#-11-LED-**-**#-###-**-4000
	HORNET-HP-R/SRTLX-FRAME-#- ###-/HORNET-HP-RTLX-TRIM- A14-#-11-LED-**-**#-###-**-3000	HORNET-HP-R/SRTLX-FRAME-#- ###-/HORNET-HP-RTLX-TRIM- A14-#-11-LED-**-**#-###-**-CRISP

Model Number	Additional Model Number	Additional Model Number
HORNET-HP-R/SRTLX-FRAME- #-###-/HORNET-HP-RTLX-TRIM- A14-#-16-LED-**-**#-###-**-2700- 92	HORNET-HP-R/SRTLX-FRAME-#- ###-/HORNET-HP-RTLX-TRIM- A14-#-16-LED-**-**#-###-**-3000- 92	HORNET-HP-R/SRTLX-FRAME-#- ###-/HORNET-HP-RTLX-TRIM- A14-#-16-LED-**-**#-###-**-3500
	HORNET-HP-R/SRTLX-FRAME-#- ###-/HORNET-HP-RTLX-TRIM- A14-#-16-LED-**-**#-###-**-2700	HORNET-HP-R/SRTLX-FRAME-#- ###-/HORNET-HP-RTLX-TRIM- A14-#-16-LED-**-**#-###-**-4000
	HORNET-HP-R/SRTLX-FRAME-#- ###-/HORNET-HP-RTLX-TRIM- A14-#-16-LED-**-**#-###-**-3000	HORNET-HP-R/SRTLX-FRAME-#- ###-/HORNET-HP-RTLX-TRIM- A14-#-16-LED-**-**#-###-**-CRISP

Model Number	Additional Model Number	Additional Model Number
HORNET-HP-R/SRTLX-FRAME- #-###-/HORNET-HP-RTLX-TRIM- A14-#-18-LED-**-**#-###-**-2700- 92	HORNET-HP-R/SRTLX-FRAME-#- ###-/HORNET-HP-RTLX-TRIM- A14-#-18-LED-**-**#-###-**-3000- 92	HORNET-HP-R/SRTLX-FRAME-#- ###-/HORNET-HP-RTLX-TRIM- A14-#-18-LED-**-**#-###-**-3500
	HORNET-HP-R/SRTLX-FRAME-#- ###-/HORNET-HP-RTLX-TRIM- A14-#-18-LED-**-**#-###-**-2700	HORNET-HP-R/SRTLX-FRAME-#- ###-/HORNET-HP-RTLX-TRIM- A14-#-18-LED-**-**#-###-**-4000
	HORNET-HP-R/SRTLX-FRAME-#- ###-/HORNET-HP-RTLX-TRIM- A14-#-18-LED-**-**#-###-**-3000	HORNET-HP-R/SRTLX-FRAME-#- ###-/HORNET-HP-RTLX-TRIM- A14-#-18-LED-**-**#-###-**-CRISP