

# HORNET® HIGH POWER

## MULTIPLE RECESSED REMODELER 3 LIGHT LED

HORNET-HP-REM-  
A14-3  
3LT LED

### APPLICATION:

Accent and display lighting for retail, commercial and supermarket environments

### CONSTRUCTION:

Steel driver housing  
Steel upper housing and laser cut trim ring  
Complete die-cast optical head construction  
Thermally protected  
No exposed wiring  
Powder coat paint

### ELECTRICAL:

Electronic constant current LED driver, 120v or 277v input  
ELV and Triac dimming standard, 120v and 277v.  
0-10v and Lutron systems also available. See following pages for more information.

This product complies with IEEE C62.41 for surge endurance up to 2.5KV. Amerlux® recommends using additional surge protection with this unit (supplied by others), surge damage is not covered by warranty.

### OPTICS:

0-40° x 40° tilt, 360°+ rotation  
Available in a variety of beam spreads  
LED:  
Color Temp Options: 2200K, 2700K, 3000K, 3500K, 4000K  
CRI: 83 typ. (2700K, 3000K, 3500K, 4000K)  
90+ typ. (2200K, 2700K, 3000K)  
CrispWhite LED available (16w max)  
R9 Values: 11 (83CRI), 55 (90+CRI)  
Life: 50,000 hrs  
Binning: 3 MacAdam  
Lumen Output (18w, 3000K): SP 1369 lm (75 lm/w)  
CBCP (18w, 3000K): SP 12,215

### MOUNTING:

Swing out lugs permit from below mounting into ceiling up to 1 1/2" (38 mm) thick

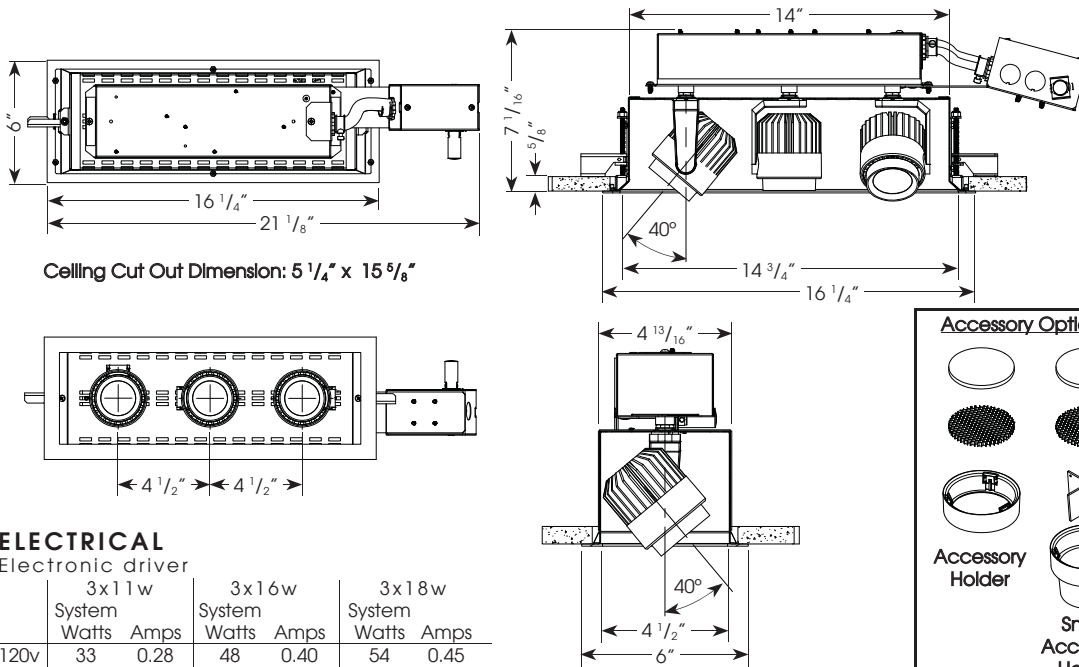
### LABELING:

 Approved to UL standards as tested by CSA  
For indoor use only

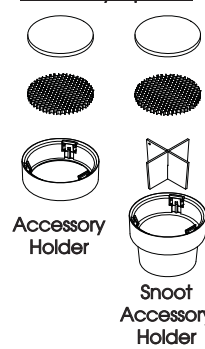


PROJECT:

TYPE:



### Accessory Options:



### ELECTRICAL

Electronic driver

	3x11w		3x16w		3x18w	
	System Watts	Amps	System Watts	Amps	System Watts	Amps
120v	33	0.28	48	0.40	54	0.45
277v	33	0.12	48	0.17	54	0.19

### ORDERING INFORMATION:

Model	# Heads	Wattage	Lamp Type	Housing/Head Finish	Voltage	Beam Spreads* Head 1 Head 2 Head 3	Trim Finish	Color Temp (CCT(K)-CRI)	Options/Accessories	
HORNET-HP-REM-A14-3	3	11	LED	WT - white	120	SP SP SP	WT - white	27 - 2700-83	SNAH - snoot accessory holder, 1" length, matte black interior, specify exterior color (WT, BT, ST), accepts cross blade plus 2 additional forms of media AH - accessory holder, specify finish (WT, BT, ST), accepts 2 forms of media CB - cross blade, matte black finish, requires snoot HEX - hexcell louver (1/8" x 1/8"), requires SNAH or AH SOL - solite beam softening lens, requires SNAH or AH HILUME - Lutron Hi-lume® dimming driver 0-10V - 0-10v dimming	
		16		texture		277		NF NF NF		30 - 3000-83
		18		BT - black		MFL MFL MFL		35 - 3500-83		
		texture		FL FL FL		40 - 4000-83				
		ST - silver	WF WF WF	229 - 2200-90+						
		texture	VWF* VWF* VWF*	279 - 2700-90+						
		-	LS* LS* LS*	309 - 3000-90+						
		-	(other RAL)	CRISP - CrispWhite (16W max)						

\*Note: VWF and LS beam spreads are not Energy Star® rated

\*SP - spot 15°, NF - narrow flood 22°, MFL - medium flood 25°, FL - flood 28°, WF - wide flood 45°, VWF - very wide flood 60°, LS - linear spread 60°x10°

Example: HORNET-HP-REM-3-18-LED-WT-120-SP-SP-SP-WT-30

Cat #:

Amerlux reserves the right to change details that do not affect overall function and performance.



# HORNET® HIGH POWER

## MULTIPLE RECESSED REMODELER 3 LIGHT LED

HORNET-HP-REM-  
A14-3  
3LT LED



TYPE:



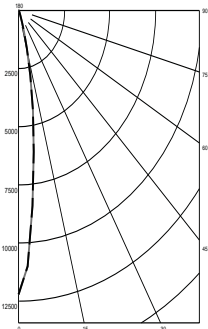
**FIXTURE DATA:** For 11w data, multiply by 0.71; For 16w data, multiply by 0.88

Complete photometric data (ies format) available upon request.

Note: Data per head

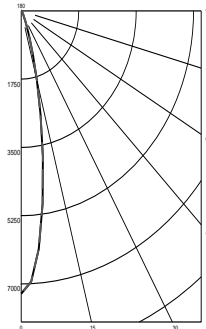
### 18W LED

SPOT (SP)  
DISTRIBUTION  
LTL #855377



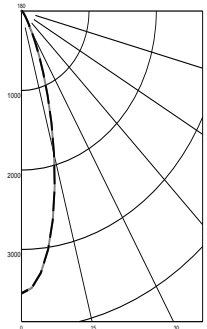
Candelas at Nadir	
Deg	Candela
0	12215
5	8436
15	1705
25	204
35	77
45	26

NARROW FLOOD (NF)  
DISTRIBUTION  
LTL #860527



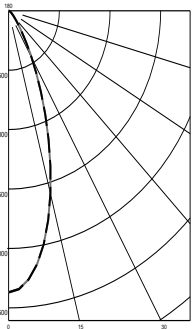
Candelas at Nadir	
Deg	Candela
0	7252
5	6128
15	1841
25	309
35	93
45	41

FLOOD (FL)  
DISTRIBUTION  
LTL # 860528



Candelas at Nadir	
Deg	Candela
0	3551
5	3304
15	1861
25	612
35	156
45	57

WIDE FLOOD (WF)  
DISTRIBUTION  
LTL # 860529

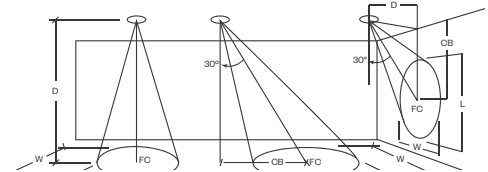


Candelas at Nadir	
Deg	Candela
0	2369
5	2268
15	1592
25	754
35	251
45	82

### APPLICATION DATA:

#### Notes and Definitions:

Beam spread is to 50% center beam candlepower (CBCP).  
 D=Distance to floor or wall.  
 FC=Footcandles on floor or wall at center beam aiming location.  
 L=Effective Visual Beam length in feet (50% of maximum footcandle level).  
 W=Effective Visual Beam width in feet (50% of maximum footcandle level).  
 CB=Distance across or down to center beam location.



	0° Aiming Angle Horizontal Footcandles				30° Aiming Angle Horizontal Footcandles					30° Aiming Angle Vertical Footcandles					60° Aiming Angle Vertical Footcandles				
	D	FC	L	W	D	FC	L	W	CB	D	FC	L	W	CB	D	FC	L	W	CB
SPOT	5.0'	484	1.4	1.4	5.0'	313	1.8	1.5	3.0	3.0'	178	3.0	1.6	5.0	3.0'	630	1.6	1.1	2.0
	7.5'	216	2.0	2.0	7.5'	136	2.8	2.4	4.0	4.0'	105	3.8	2.1	6.0	4.0'	450	1.6	1.3	2.0
	10.0'	122	2.7	2.7	10.0'	76	3.7	3.2	6.0	5.0'	67	4.8	2.7	8.0	5.0'	298	2.0	1.6	3.0
	12.5'	78	3.4	3.4	12.5'	46	4.8	4.2	7.0	6.0'	47	5.9	3.2	9.0	6.0'	200	2.4	1.9	3.0
NARROW FLOOD	5.0'	289	1.7	1.7	5.0'	187	2.4	2.1	3.0	3.0'	127	3.3	1.8	4.0	3.0'	422	1.9	1.3	2.0
	7.5'	129	2.8	2.8	7.5'	86	3.5	3.1	4.0	4.0'	70	4.4	2.7	6.0	4.0'	298	1.9	1.5	2.0
	10.0'	73	3.6	3.6	10.0'	47	4.7	4.1	5.0	5.0'	47	5.3	3.2	7.0	5.0'	181	2.5	2.1	3.0
	12.5'	47	4.5	4.5	12.5'	31	5.8	5.2	7.0	6.0'	32	6.7	3.9	8.0	6.0'	133	2.8	2.5	3.0
FLOOD	5.0'	142	2.7	2.7	5.0'	92	3.4	3.1	3.0	3.0'	75	3.8	2.7	4.0	3.0'	232	2.3	1.7	2.0
	7.5'	63	3.9	3.9	7.5'	43	4.9	4.4	4.0	4.0'	44	4.9	3.3	5.0	4.0'	154	2.7	2.4	2.0
	10.0'	36	5.2	5.2	10.0'	25	6.4	5.8	5.0	5.0'	29	6.1	4.1	6.0	5.0'	95	3.4	3.0	2.0
	12.5'	23	6.5	6.5	12.5'	16	8.0	7.2	6.0	6.0'	20	7.4	5.1	7.0	6.0'	69	3.8	3.5	3.0
WIDE FLOOD	5.0'	95	3.2	3.2	5.0'	67	3.9	3.4	2.0	3.0'	63	3.7	2.8	3.0	3.0'	180	2.4	2.0	1.0
	7.5'	42	4.8	4.8	7.5'	30	5.7	5.3	3.0	4.0'	36	4.9	3.7	4.0	4.0'	105	3.2	2.9	2.0
	10.0'	24	6.4	6.4	10.0'	17	7.6	7.1	4.0	5.0'	23	6.1	4.8	5.0	5.0'	69	3.8	3.5	2.0
	12.5'	15	8.0	8.0	12.5'	11	9.6	8.9	5.0	6.0'	16	7.5	5.7	6.0	6.0'	47	4.7	4.3	3.0

# HORNET® HIGH POWER

MULTIPLE RECESSED REMODELER 3 LIGHT LED

HORNET-HP-REM-  
A14-3  
3LT LED



TYPE:



**DIMMING COMPATIBILITY:**

Amerlux® "Hornet" fixtures are compatible with all major dimming protocols prevalent in the United States. Please see below for general compatibilities and wiring diagrams. Amerlux recommends testing your unique dimming configuration as the exact full configuration (Dimmer, Fixture Quantity, Voltage, etc) may affect dimming performance.

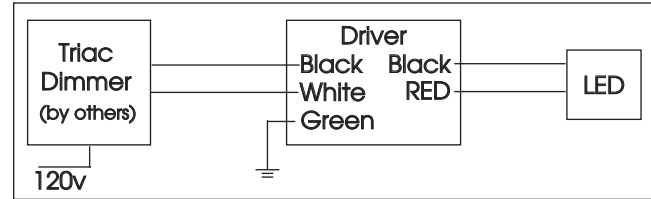
**TRIAC (Forward Phase) DIMMING (standard)**

Utilizes "Standard" incandescent dimmers that are in wide use in installations across the US. Best for retrofit applications where Triac dimmers are installed.

**Notes:**

- 120v and 277v
- Dims down to less than 5% light output (most cases)
- Consult Dimming manufacturer for installation instructions - DO NOT SHARE NEUTRALS!
- Must meet dimmer Minimum Load Requirements per dimming manufacturer

Wiring Diagram



**Compatible Dimmers**

**Wall Box** (Incandescent Style, Wattage as required)

Lutron "Diva"	Lutron "Vareo"
Lutron "Nova-T"	Lutron "Skylark"
Lutron "Maestro"	

**Central System**

ETC "SR" Rack w/D20 Module	ETC "DRD" Rack w/D20 Module
Lutron "GP" Panel	Lutron Grafix Eye QS

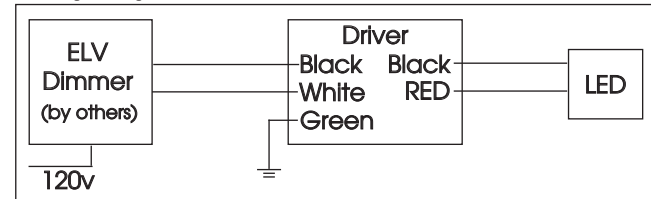
**ELV - Electronic Low Voltage (Reverse Phase) DIMMING (standard)**

Utilizes specialized "ELV" dimmers. Best for New Construction applications

**Notes:**

- 120v and 277v
- Dims down to less than 5% light output (most cases)
- Consult Dimming manufacturer for installation instructions - DO NOT SHARE NEUTRALS!
- Must meet dimmer Minimum Load Requirements

Wiring Diagram



**Compatible Dimmers**

**Wall Box** (ELV Style)

Lutron "Diva"	Lutron "Vareo"
Lutron "Nova-T"	Lutron "Skylark"
Lutron "Maestro"	
Leviton "Surslide"	Leviton "Vizio"

**Central System**

ETC "SR" Rack w/ELV10 Module	ETC "DRD" Rack w/ELV10 Module
Lutron "GP" Panel with PHPM-PA Interface	Lutron Grafix Eye QS with PHPM-PA Interface

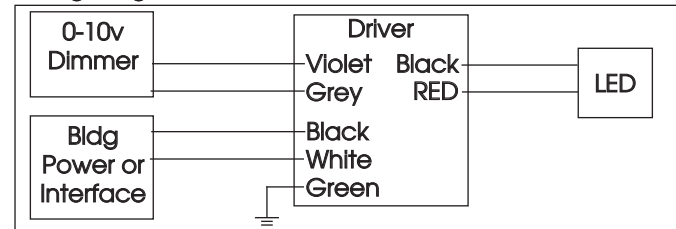
**0-10V - DIMMING (-0-10V Option)**

Integrates into a variety of building management and daylighting controls

**Notes:**

- 120v - 277v
- Dims down to less than 10% light output
- Requires interface to turn off power to driver
- Consult Dimming manufacturer for installation instructions - DO NOT SHARE NEUTRALS!

Wiring Diagram



**Compatible Dimmers**

**Wall Box**

Lutron "Diva" - DVTV with PP-120H Interface	Leviton Renoir II 0-10v
---	-------------------------

**Central System**

Lutron Grafix Eye with GRX-TVI Interface
--

# HORNET® HIGH POWER

MULTIPLE RECESSED REMODELER 3 LIGHT LED

HORNET-HP-REM-  
A14-3  
3LT LED



TYPE:



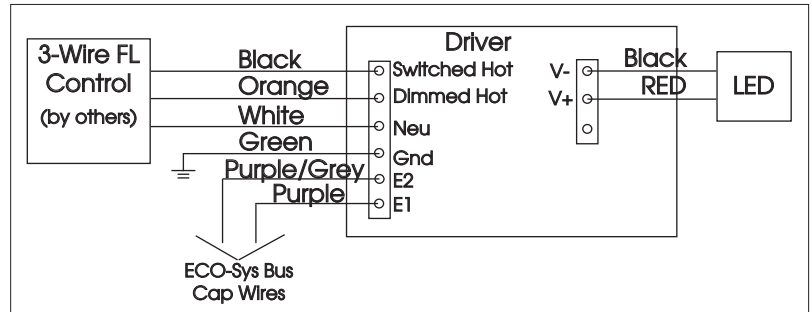
**LUTRON HI-LUME / ECO-SYSTEM (-HILUME Option)**

Integrates into a variety of building management and daylighting controls

**Notes:**

- 120v or 277v
- Dims down to less than 5% light output
- May use 3-Wire or Ecosystem Control
- Consult Dimming manufacturer for installation instructions - DO NOT SHARE NEUTRALS!

**3-Wire Wiring Diagram**



**Compatible Dimmers**

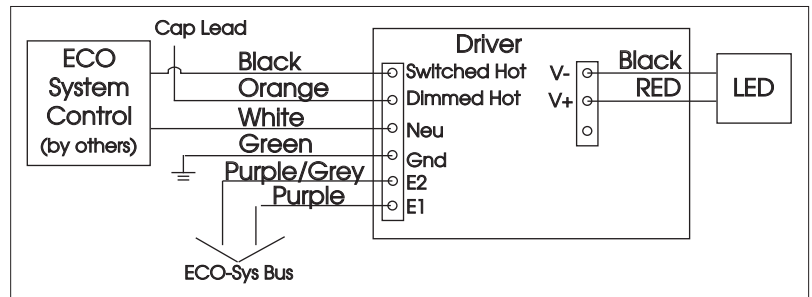
**Wall Box (3-Wire Fluorescent)**

- DIVA
- Maestro
- Nova T
- Vareo

**Central System**

- Lutron ECO-System compatible controls
- ETC "SR" Rack w/D20F Module
- ETC "DRD" Rack w/D20F Module

**ECO System Digital Control Wiring**



# HORNET® HIGH POWER

MULTIPLE RECESSED REMODELER 3 LIGHT LED

HORNET-HP-REM-  
A14-3  
3LT LED



TYPE:



ENERGY STAR APPROVED MODEL NUMBERS:



## Certificate of Conformance

### Energy Efficiency Certification

UL conducted an independent evaluation on behalf of:

#### Amerlux Global Lighting Solutions

178 Bauer Dr., Oakland, NJ 07436

for the following products:

Indoor Directional Luminaire

Brand: Amerlux

Model Name: Hornet

Model Numbers: See Appendix A

This product meets all of the necessary  
qualifications pursuant to:

ENERGY STAR® Program Requirements for  
Luminaires, Version 2.0



## Energy Verified

2016-11-01

Certification Date

N/A

Certification Revision Date

Issued by

11470949

UL Product Number

00-VS-F0418, Version 2.0, This is to certify that representative samples of the Certified Product(s) listed above have been investigated by UL to the Standard(s) indicated on this certificate, in accordance with the UL Global Services Agreement and the EEC Terms & Conditions ("Agreement"). The Certificate Holder is entitled to use the UL Energy Verified Mark for the Certified Product(s) listed on the certificate and manufactured at the production site(s) covered by the UL Test Report, in accordance with the terms of the Agreement. This Certificate shall remain valid unless a Standard identified on this Certificate is amended or withdrawn prior to that date or there is a non-compliance with the Agreement.

# HORNET® HIGH POWER

MULTIPLE RECESSED REMODELER 3 LIGHT LED

HORNET-HP-REM-  
A14-3  
3LT LED



TYPE:



ENERGY STAR APPROVED MODEL NUMBERS:



Appendix A

Model Number	Additional Model Number	Additional Model Number
HORNET-HP-REM-A14-#-11-LED-**-###-**-**-2700-92	HORNET-HP-REM-A14-#-11-LED-**-###-**-**-3000-92	HORNET-HP-REM-A14-#-11-LED-**-###-**-**-3500
	HORNET-HP-REM-A14-#-11-LED-**-###-**-**-2700	HORNET-HP-REM-A14-#-11-LED-**-###-**-**-4000
	HORNET-HP-REM-A14-#-11-LED-**-###-**-**-3000	HORNET-HP-REM-A14-#-11-LED-**-###-**-**-CRISP

Model Number	Additional Model Number	Additional Model Number
HORNET-HP-REM-A14-#-16-LED-**-###-**-**-2700-92	HORNET-HP-REM-A14-#-16-LED-**-###-**-**-3000-92	HORNET-HP-REM-A14-#-16-LED-**-###-**-**-3500
	HORNET-HP-REM-A14-#-16-LED-**-###-**-**-2700	HORNET-HP-REM-A14-#-16-LED-**-###-**-**-4000
	HORNET-HP-REM-A14-#-16-LED-**-###-**-**-3000	HORNET-HP-REM-A14-#-16-LED-**-###-**-**-CRISP

Model Number	Additional Model Number	Additional Model Number
HORNET-HP-REM-A14-#-18-LED-**-###-**-**-2700-92	HORNET-HP-REM-A14-#-18-LED-**-###-**-**-3000-92	HORNET-HP-REM-A14-#-18-LED-**-###-**-**-3500
	HORNET-HP-REM-A14-#-18-LED-**-###-**-**-2700	HORNET-HP-REM-A14-#-18-LED-**-###-**-**-4000
	HORNET-HP-REM-A14-#-18-LED-**-###-**-**-3000	HORNET-HP-REM-A14-#-18-LED-**-###-**-**-CRISP