

# HORNET® HP DOWNLIGHT

## 3.5" ROUND DOWNLIGHT REMODELER LED

### APPLICATIONS:

Retail and commercial ambient lighting

### CONSTRUCTION:

20 ga. galvanized steel frame  
Die-cast optical housing and trim  
Extruded aluminum and die-cast heat sink

### ELECTRICAL:

Electronic constant current LED driver, 120v or 277v input  
ELV and Triac dimming standard, 120v or 277v.  
Optional 0-10v or Lutron Hilume dimming available. See following pages for details.

**This product complies with IEEE C62.41 for surge endurance up to 2.5KV. Amerlux® recommends using additional surge protection with this unit (supplied by others), surge damage is not covered by warranty.**

### MOUNTING:

For use in sheet rock ceilings, 5/8" - 2" standard

### OPTICS:

LED:

Color Temp Options: 2200K, 2700K, 3000K, 3500K, 4000K  
CRI: 83 typ. (2200K, 2700K, 3000K, 3500K, 4000K)  
90+ typ. (2200K, 2700K, 3000K)

Optional Amerlux CrispWhite technology (18W max)  
R9 Value: 11 (83CRI), 55 (90+CRI)

Binning: 3 MacAdam (SDCM)  
Lumen Maintenance: >70% of initial lumens @ 50,000 hrs  
Lumen Output (at 3000K):

18W: SP 1191 typ.	20W: SP 1323 typ.
NF 1112 typ.	NF 1236 typ.
FL 1067 typ.	FL 1185 typ.
WF 1011 typ.	WF 1123 typ.

### LABELING:



approved to UL standards as tested by CSA.

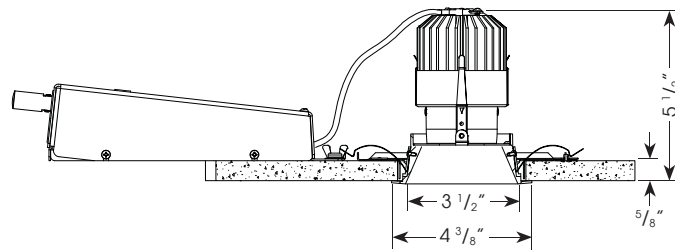
For indoor use only  
Damp location

HDL-HP-RD-REM-A14  
LED

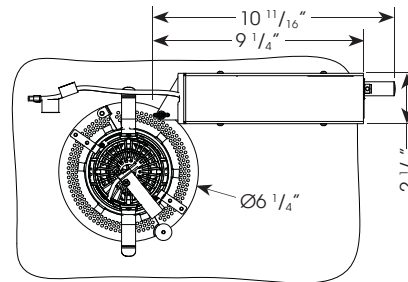


PROJECT:

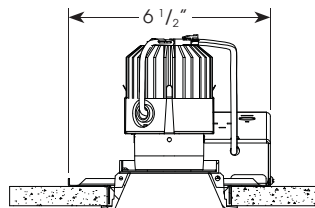
TYPE:



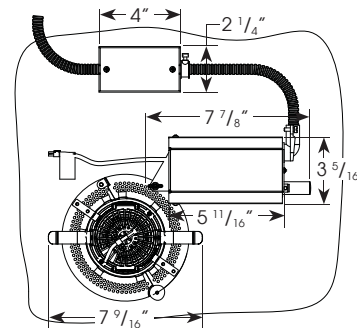
Ceiling Cut Out Dimension: 4" dia



  
Electrostatic sensitive device,  
observe precautions for  
handling



For 0-10V & Hilume dimming option



### ELECTRICAL

Electronic driver

	13W		18W		20W	
	System Watts	Amps	System Watts	Amps	System Watts	Amps
120v	13	0.11	18	0.15	20	0.17
277v	13	0.05	18	0.06	20	0.07

### ORDERING INFORMATION:

Housing: Model	Wattage	Lamp Type	Voltage	Options	Trim: Model	Aperture Finish	Beam Spread	Color Temp (CCT-CRI)	Options/ Accessories	
HDL-HP-R-REM-A14	13	LED	120	0-10V - 0-10v dimming HILUME - Lutron Hilume® dimming	HDL-HP-RD-A14	Reflector with White Painted Flange	SP - spot, 15°	27 - 2700K-83	HEX - hexcell louwer SOL - solite beam softening lens	
	18					277	MBW - matte black	NF - narrow flood, 20°		30 - 3000K-83
	20						MWW - matte white	MFL - medium flood, 24°		35 - 3500K-83
						SLVW - matte silver	FL - flood, 28°	40 - 4000K-83		
						Reflector with Black Painted Flange	WF - wide flood, 45°	229 - 2200K-90+		
						MBB - matte black	VWF - very wide flood, 60°	279 - 2700K-90+		
						Reflector with Silver Painted Flange	LS - linear spread, 60° x 10°	309 - 3000K-90+		
						SLV - matte silver		CRISP - Crisp White (18W max)		

Complete Example: HDL-HP-R-REM-A14-20-LED-120/HDL-HP-RD-A14-MBW-FL-30

Housing Example: HDL-HP-R-REM-A14-20-LED-120

Reflector Example: HDL-HP-RD-A14-MBW-FL-30

Cat #:

Amerlux reserves the right to change details that do not affect overall function and performance.



Title 24  
Compliant

5 year limited  
warranty  
AMERLUX LED  
(see website for details)

# HORNET® HP DOWNLIGHT

3.5" ROUND DOWNLIGHT REMODELER LED

HDL-HP-RD-REM-A14  
LED

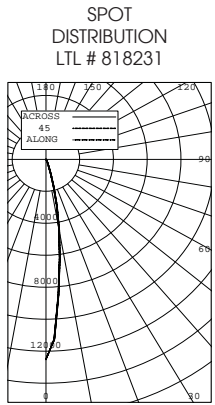


TYPE:

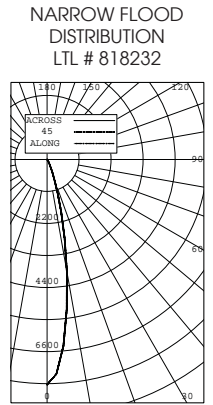


**FIXTURE DATA:** For 13W data, multiply by 0.71; For 18W data, multiply by 0.90 Complete photometric data (ies format) available upon request.  
CCT Conversion Factor: 2700K-83 = 0.96; 3500K-83 = 1.02; 4000K-83 = 1.04; 2200K-90+ = 0.71; 2700-90+ = 0.80; 3000K-90+ = 0.83; CRISP = 0.65

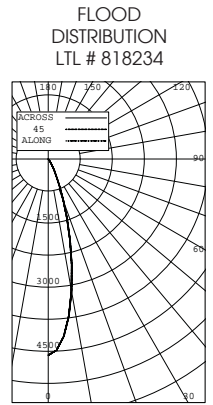
## 20W LED 3000K-83



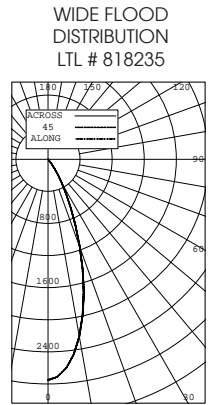
Candelas at Nadir	
Deg	Candela
0	12508
5	8495
15	1754
25	190
35	32
45	3



Candelas at Nadir	
Deg	Candela
0	7734
5	6428
15	1866
25	277
35	45
45	4



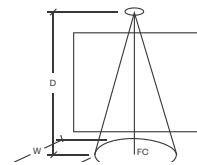
Candelas at Nadir	
Deg	Candela
0	4591
5	4168
15	1966
25	470
35	72
45	4



Candelas at Nadir	
Deg	Candela
0	2751
5	2614
15	1719
25	676
35	141
45	7

## APPLICATION DATA:

**Notes and Definitions:**  
Beam spread is to 50% center beam candlepower (CBCP).  
D=Distance to floor or wall.  
FC=Footcandles on floor or wall at center beam aiming location.  
L=Effective Visual Beam length in feet (50% of maximum footcandle level).  
W=Effective Visual Beam width in feet (50% of maximum footcandle level).  
CB=Distance across or down to center beam location.



0° Aiming Angle  
Horizontal  
Footcandles

	D	FC	L	W
SPOT	5.0'	483	1.4	1.4
	7.5'	223	1.9	1.9
	10.0'	124	2.7	2.7
	12.5'	80	3.3	3.3
NARROW FLOOD	5.0'	231	2.1	2.1
	7.5'	120	2.9	2.9
	10.0'	71	3.7	3.7
	12.5'	47	4.6	4.6
FLOOD	5.0'	150	2.7	2.7
	7.5'	74	3.6	3.6
	10.0'	43	4.8	4.8
	12.5'	28	5.8	5.8
WIDE FLOOD	5.0'	97	3.2	3.2
	7.5'	46	4.6	4.6
	10.0'	27	6.1	6.1
	12.5'	17	7.5	7.5

# HORNET® HP DOWNLIGHT

3.5" ROUND DOWNLIGHT REMODELER LED

HDL-HP-RD-REM-A14  
LED



TYPE:



**DIMMING COMPATIBILITY:**

Amerlux® "Hornet" fixtures are compatible with all major dimming protocols prevalent in the United States. Please see below for general compatibilities and wiring diagrams. Amerlux recommends testing your unique dimming configuration as the exact full configuration (Dimmer, Fixture Quantity, Voltage, etc) may affect dimming performance.

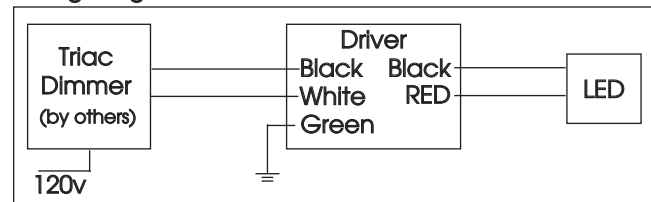
**TRIAC (Forward Phase) DIMMING (standard)**

Utilizes "Standard" incandescent dimmers that are in wide use in installations across the US. Best for retrofit applications where Triac dimmers are installed.

**Notes:**

- 120v or 277v
- Dims down to less than 5% light output (most cases)
- Consult Dimming manufacturer for installation instructions - DO NOT SHARE NEUTRALS!
- Must meet dimmer Minimum Load Requirements per dimming manufacturer

**Wiring Diagram**



**Compatible Dimmers**

**Wall Box (Incandescent Style, Wattage as required)**

Lutron "Diva"  
Lutron "Nova-T"  
Lutron "Maestro"

Lutron "Vareo"  
Lutron "Skylark"

**Central System**

ETC "SR" Rack w/D20 Module  
Lutron "GP" Panel

ETC "DRD" Rack w/D20 Module  
Lutron Grafix Eye QS

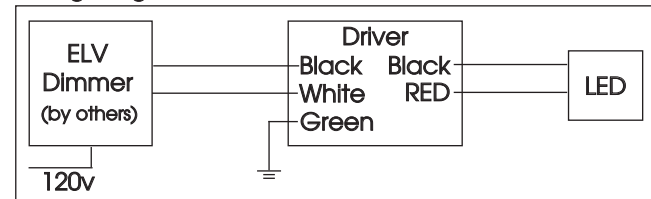
**ELV - Electronic Low Voltage (Reverse Phase) DIMMING (standard)**

Utilizes specialized "ELV" dimmers. Best for New Construction applications

**Notes:**

- 120v or 277v
- Dims down to less than 5% light output (most cases)
- Consult Dimming manufacturer for installation instructions - DO NOT SHARE NEUTRALS!
- Must meet dimmer Minimum Load Requirements

**Wiring Diagram**



**Compatible Dimmers**

**Wall Box (ELV Style)**

Lutron "Diva"  
Lutron "Nova-T"  
Lutron "Maestro"  
Leviton "Surslide"

Lutron "Vareo"  
Lutron "Skylark"  
Leviton "Vizio"

**Central System**

ETC "SR" Rack w/ELV10 Module  
Lutron "GP" Panel with PHPM-PA Interface

ETC "DRD" Rack w/ELV10 Module  
Lutron Grafix Eye QS with PHPM-PA Interface

# HORNET® HP DOWNLIGHT

3.5" ROUND DOWNLIGHT REMODELER LED

HDL-HP-RD-REM-A14  
LED



TYPE:



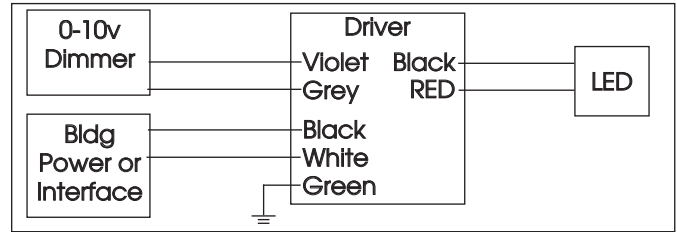
## 0-10V - DIMMING (-0-10V Option)

Integrates into a variety of building management and daylighting controls

### Notes:

- 120v - 277v
- Dims down to 1% light output
- Requires interface to turn off power to driver
- Consult Dimming manufacturer for installation instructions - DO NOT SHARE NEUTRALS!

### Wiring Diagram



### Compatible Dimmers

#### Wall Box

Lutron "Diva" - DVTV with PP-120H Interface

Leviton Renoir II 0-10v

#### Central System

Lutron Grafix Eye with GRX-TVI Interface

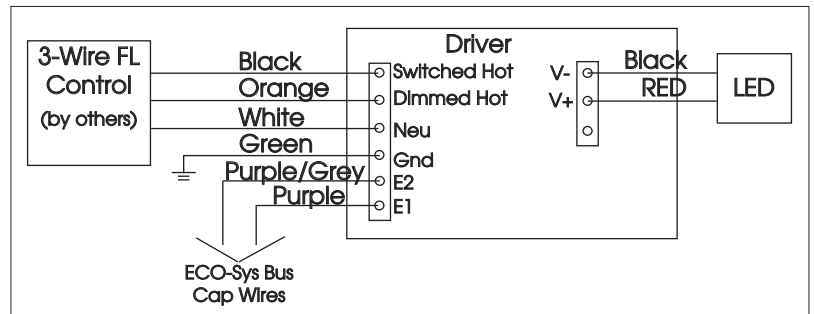
## LUTRON HI-LUME / ECO-SYSTEM (-HILUME Option)

Integrates into a variety of building management and daylighting controls

### Notes:

- 120v or 277v
- Dims down to 1% light output
- May use 3-Wire or Ecosystem Control
- Consult Dimming manufacturer for installation instructions - DO NOT SHARE NEUTRALS!

### 3-Wire Wiring Diagram



### Compatible Dimmers

#### Wall Box (3-Wire Fluorescent)

DIVA  
Maestro  
Nova T  
Vareo

#### Central System

Lutron ECO-System compatible controls  
ETC "SR" Rack w/D20F Module  
ETC "DRD" Rack w/D20F Module

### ECO System Digital Control Wiring

