

HORNET® HP DOWNLIGHT

3.5" ROUND PINHOLE ADJUSTABLE SLOT REMODELER LED

APPLICATIONS:

Retail and commercial accent & display lighting

CONSTRUCTION:

20 ga. galvanized steel frame
Die-cast optical housing
Extruded aluminum and die-cast heat sink
Formed steel faceplate

ELECTRICAL:

Electronic constant current LED driver, 120v or 277v input
ELV and Triac dimming standard, 120v or 277v.
Optional 0-10v or Lutron Hilume dimming available. See following pages for details. **This product complies with IEEE C62.41 for surge endurance up to 2.5KV. Amerlux® recommends using additional surge protection with this unit (supplied by others), surge damage is not covered by warranty.**

MOUNTING:

For use in sheet rock ceilings, 5/8" - 2" standard

OPTICS:

LED:

Color Temp Options: 2200K, 2700K, 3000K, 3500K, 4000K
CRI: 83 typ. (2700K, 3000K, 3500K, 4000K)
90+ typ. (2200K, 2700K, 3000K)

Optional Amerlux CrispWhite technology (18W max)

R9 Value: 11 (83CRI), 55 (90+CRI)

Binning: 3 MacAdam (SDCM)

Lumen Maintenance: >70% of initial lumens @ 50,000 hrs
Lumen Output (at 3000K):

18W:SP 914 typ	20W:SP 1016 typ
NF 818 typ	NF 909 typ
MFL 766 typ	MFL 851 typ
FL 750 typ	FL 833 typ

0-30° lockable tilt, 358° rotation

LABELING:



approved to UL standards as tested by CSA.

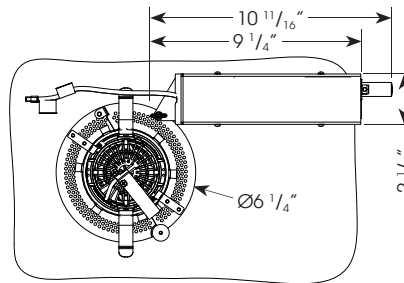
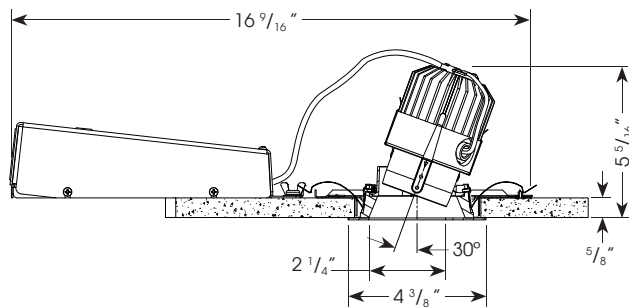
For indoor use only
Damp location

HDL-HP-RPAS-
REM-A14
LED

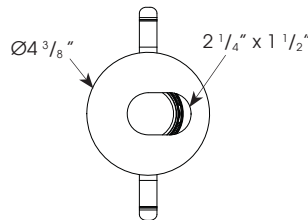


PROJECT:

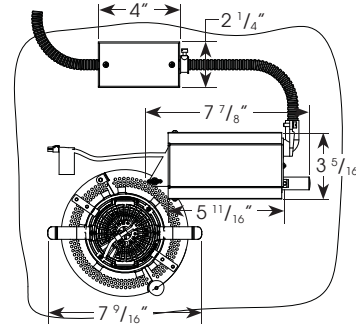
TYPE:



Ceiling Cut Out Dimension: 4" dia.



For 0-10V & Hilume dimming option



ELECTRICAL

Electronic driver

	13W		18W		20W	
	System Watts	Amps	System Watts	Amps	System Watts	Amps
120v	13	0.11	18	0.15	20	0.17
277v	13	0.05	18	0.06	20	0.07

ORDERING INFORMATION:

Housing: Model	Wattage	Lamp Type	Voltage	Options	Trim: Model	Trim Finish	Beam Spread	Color Temp (CCT-CRI)	Options/ Accessories
HDL-HP-R-REM-A14	13	LED	120	0-10V - 0-10v dimming	HDL-HP-RPAS-A14	MW - matte white	SP - spot, 15°	27 - 2700K-83	HEX - hexcell louver
	18		277	HILUME - Lutron Hilume® dimming		MB - matte black	NF - narrow flood, 20°	30 - 3000K-83	SOL - solite beam softening lens
	20					SLV - matte silver	MFL - medium flood, 24°	35 - 3500K-83	
						PC - polished chrome	FL - flood, 28°	40 - 4000K-83	
						BSS - brushed stainless steel		229 - 2200K-90+	
								279 - 2700K-90+	
								309 - 3000K-90+	
								CRISP - Crisp White (18W max)	

Complete Example: HDL-HP-R-REM-A14-20-LED-120/HDL-HP-RPAS-A14-MW-FL-30

Housing Example: HDL-HP-R-REM-A14-20-LED-120

Reflector Example: HDL-HP-RPAS-A14-MW-FL-30

Cat #:

Amerlux reserves the right to change details that do not affect overall function and performance.



(see website for details)

HORNET® HP DOWNLIGHT

3.5" ROUND PINHOLE ADJUSTABLE SLOT REMODELER LED

HDL-HP-RPAS-
REM-A14
LED



TYPE:



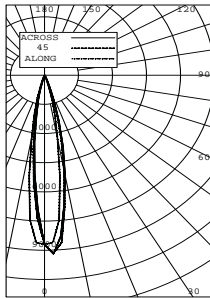
FIXTURE DATA: For 13W data, multiply by 0.71; For 18W data, multiply by 0.90

Complete photometric data (ies format) available upon request.

CCT Conversion Factor: 2700K-83 = 0.96; 3500K-83 = 1.02; 4000K-83 = 1.04; 2200K-90+ = 0.71; 2700-90+ = 0.80; 3000K-90+ = 0.83; CRISP = 0.65

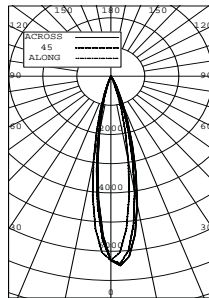
20W LED 3000K-83

SPOT
DISTRIBUTION
LTL # 818220



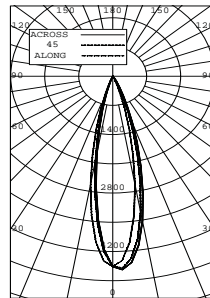
Candelas at Nadir	
Deg	Candela
0	8708
5	7439
15	1282
25	33
35	5
45	0

NARROW FLOOD
DISTRIBUTION
LTL # 818221



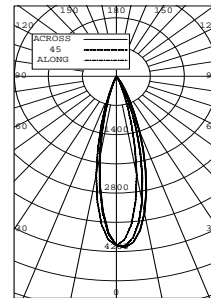
Candelas at Nadir	
Deg	Candela
0	6311
5	5258
15	1202
25	62
35	7
45	0

MEDIUM FLOOD
DISTRIBUTION
LTL # 818222



Candelas at Nadir	
Deg	Candela
0	4560
5	3994
15	1320
25	116
35	8
45	0

FLOOD
DISTRIBUTION
LTL # 818223

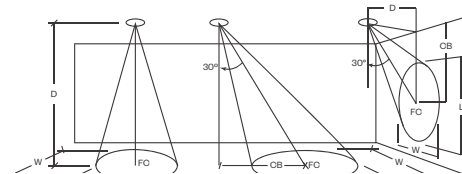


Candelas at Nadir	
Deg	Candela
0	4055
5	3556
15	1218
25	113
35	8
45	0

APPLICATION DATA:

Notes and Definitions:

Beam spread is to 50% center beam candlepower (CBCP).
 D=Distance to floor or wall.
 FC=Footcandles on floor or wall at center beam aiming location.
 L=Effective Visual Beam length in feet (50% of maximum footcandle level).
 W=Effective Visual Beam width in feet (50% of maximum footcandle level).
 CB=Distance across or down to center beam location.



	0° Aiming Angle Horizontal Footcandles			
	D	FC	L	W
SPOT	5.0'	233	2.0	1.9
	7.5'	127	2.6	2.6
	10.0'	77	3.3	3.3
	12.5'	52	4.0	4.0
NARROW FLOOD	5.0'	180	2.2	2.0
	7.5'	94	2.9	2.8
	10.0'	57	3.8	3.6
	12.5'	38	4.6	4.5
MEDIUM FLOOD	5.0'	140	2.3	2.3
	7.5'	71	3.3	3.1
	10.0'	42	4.3	4.1
	12.5'	28	5.2	5.2
FLOOD	5.0'	127	2.5	2.3
	7.5'	64	3.6	3.2
	10.0'	38	4.6	4.2
	12.5'	25	5.8	5.4

HORNET® HP DOWNLIGHT

3.5" ROUND PINHOLE ADJUSTABLE SLOT REMODELER LED

HDL-HP-RPAS-
REM-A14
LED



TYPE:



DIMMING COMPATIBILITY:

Amerlux® "Hornet" fixtures are compatible with all major dimming protocols prevalent in the United States. Please see below for general compatibilities and wiring diagrams. Amerlux recommends testing your unique dimming configuration as the exact full configuration (Dimmer, Fixture Quantity, Voltage, etc) may affect dimming performance.

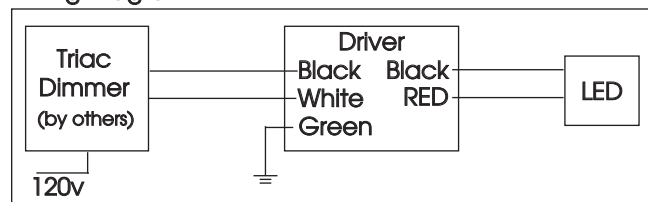
TRIAC (Forward Phase) DIMMING (standard)

Utilizes "Standard" incandescent dimmers that are in wide use in installations across the US. Best for retrofit applications where Triac dimmers are installed.

Notes:

- 120v or 277v
- Dims down to less than 5% light output (most cases)
- Consult Dimming manufacturer for installation instructions - DO NOT SHARE NEUTRALS!
- Must meet dimmer Minimum Load Requirements per dimming manufacturer

Wiring Diagram



Compatible Dimmers

Wall Box (Incandescent Style, Wattage as required)

Lutron "Diva"
Lutron "Nova-T"
Lutron "Maestro"

Lutron "Vareo"
Lutron "Skylark"

Central System

ETC "SR" Rack w/D20
Module
Lutron "GP" Panel

ETC "DRD" Rack w/D20
Module
Lutron Grafix Eye QS

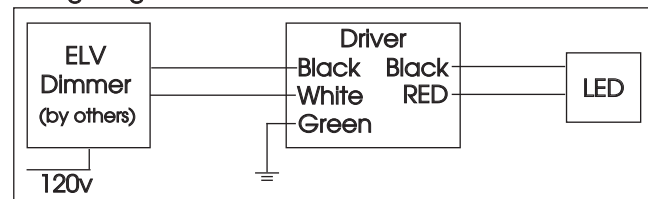
ELV - Electronic Low Voltage (Reverse Phase) DIMMING (standard)

Utilizes specialized "ELV" dimmers. Best for New Construction applications

Notes:

- 120v or 277v
- Dims down to less than 5% light output (most cases)
- Consult Dimming manufacturer for installation instructions - DO NOT SHARE NEUTRALS!
- Must meet dimmer Minimum Load Requirements

Wiring Diagram



Compatible Dimmers

Wall Box (ELV Style)

Lutron "Diva"
Lutron "Nova-T"
Lutron "Maestro"
Leviton "Surslide"

Lutron "Vareo"
Lutron "Skylark"
Leviton "Vizio"

Central System

ETC "SR" Rack w/ELV10
Module
Lutron "GP" Panel with
PHPM-PA Interface

ETC "DRD" Rack w/ELV10
Module
Lutron Grafix Eye QS with
PHPM-PA Interface

HORNET® HP DOWNLIGHT

3.5" ROUND PINHOLE ADJUSTABLE SLOT REMODELER LED

HDL-HP-RPAS-
REM-A14
LED



TYPE:



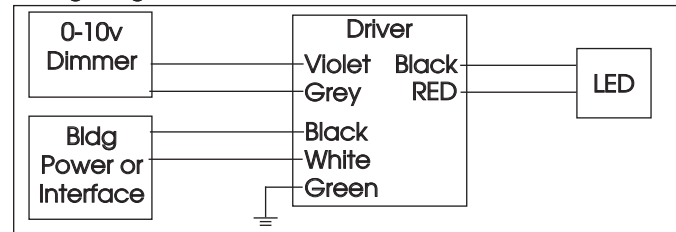
0-10V - DIMMING (-0-10V Option)

Integrates into a variety of building management and daylighting controls

Notes:

- 120v - 277v
- Dims down to 1% light output
- Requires interface to turn off power to driver
- Consult Dimming manufacturer for installation instructions - DO NOT SHARE NEUTRALS!

Wiring Diagram



Compatible Dimmers

Wall Box

Lutron "Diva" - DVTV with PP-120H Interface

Leviton Renoir II 0-10v

Central System

Lutron Grafix Eye with GRX-TVI Interface

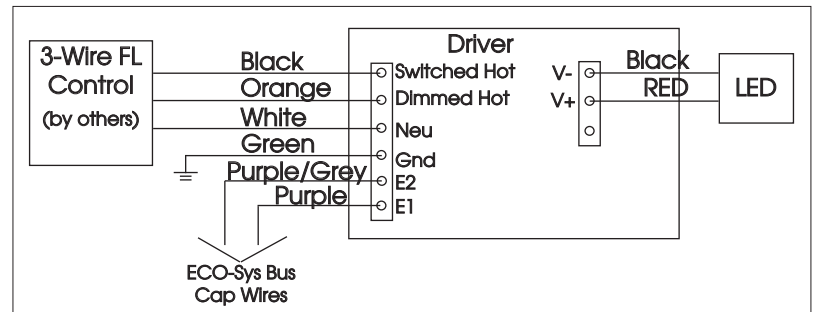
LUTRON HI-LUME / ECO-SYSTEM (-HILUME Option)

Integrates into a variety of building management and daylighting controls

Notes:

- 120v or 277v
- Dims down to 1% light output
- May use 3-Wire or Ecosystem Control
- Consult Dimming manufacturer for installation instructions - DO NOT SHARE NEUTRALS!

3-Wire Wiring Diagram



Compatible Dimmers

Wall Box (3-Wire Fluorescent)

DIVA
Maestro
Nova T
Vareo

Central System

Lutron ECO-System compatible controls
ETC "SR" Rack w/D20F Module
ETC "DRD" Rack w/D20F Module

ECO System Digital Control Wiring

