

EVOKE® ROUND LENS DOWNLIGHT

4.75" ROUND LENS DOWNLIGHT SHALLOW LED

E4.75RLDS-A14
LED

APPLICATION:

Commercial & hospitality ambient lighting

CONSTRUCTION:

20 ga. galvanized steel frame
18 ga. galvanized steel splice housing and hanger brackets
Die-cast aluminum heat sink
Wet location option adds silicone flange gasket
Damp exterior option adds conformal coating to LED's

OPTICS:

Spun aluminum self-flanged reflector, anodized finish
High reflectance, highly diffuse mixing chamber
Engineered nano technology lens provides transmission while concealing LED image

LED:

Color Temp Options: 2700K, 3000K, 3500K, 4000K

CRI: 83 (2700K, 3000K, 3500K, 4000K)

90+ (2700K, 3000K)

Amerlux® Crisp White technology available

R9 Value: 11 (83 CRI), 55 (90+ CRI)

Life: 50,000 hrs

Lumen Maintenance: >70% of initial lumens @ 50,000 hrs

Lumen Output (3000K): 2415 lm (34w)

ELECTRICAL:

Standard:

Electronic constant current LED driver, 120v or 277v input
ELV and Triac dimming standard, 120v or 277v.

This product complies with IEEE C62.41 for surge endurance up to 2.5KV. Amerlux recommends using additional surge protection with this unit (supplied by others), surge damage is not covered by warranty.

Options:

Dimming: 0-10v and Lutron Hi-Lume®/EcoSystem 3 wire
See following pages for more information

Emergency Battery Pack: IOTA ILB-CP05 Emergency battery pack with remote test switch, output of 5w (approx. 300 lumens) for 90 minutes.

MOUNTING:

For use in grid or sheetrock ceilings, max ceiling thickness 2"

LABELING:



approved UL standard as tested by CSA

IC/AT rated (optional, 21w only)

Damp location (standard)

Wet location option



PROJECT:

TYPE:

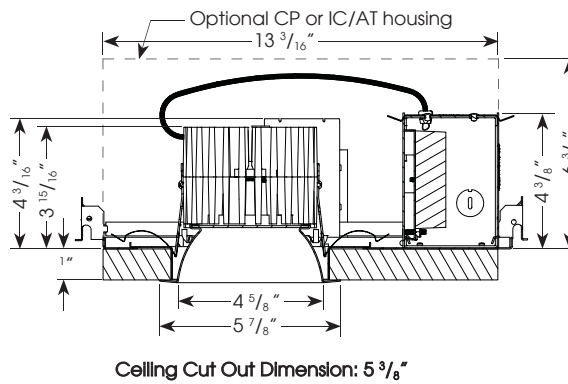
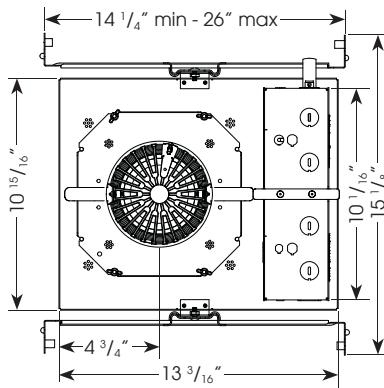


Electrostatic sensitive device,
observe precautions for
handling

Title 24
Compliant

5 year limited
warranty
AMERLUX LED

(see website for details)



Ceiling Cut Out Dimension: 5 3/8"

ELECTRICAL

Driver	16 w		21 w		30 w		34 w	
	System Watts	Amps	System Watts	Amps	System Watts	Amps	System Watts	Amps
Electronic 120v	16	0.13	21	0.18	30	0.25	34	0.28
277v	16	0.06	21	0.08	30	0.11	34	0.12

Class 2 constant current driver

Includes thermal protection, 2w power consumption

ORDERING INFORMATION:

HOUSING:					REFLECTOR/LED OPTIC:					
Model	Wattage	Lamp Type	Voltage	Options	Model	Aperture	Cone/Flange Finish	Beam Spread	Color Temp (CCT-CRI)	Options
E4.75R-A14	16	LED	120	HILUME - Lutron Hi-Lume®/EcoSystem	E4.75RLDS-A14	SDW - semi-diffuse/white		VWF - very	27 - 2700K-83	WET - wet
	21		277	3 wire, 1% dimming		MWW - matte white/white		wide	30 - 3000K-83	location
	30			0-10V - 0-10v dimming		MBB - matte black/black		flood,	35 - 3500K-83	
	34			EM - emergency battery pack with remote test switch (not available for CP or IC/AT options)		SDC - semi-diffuse/clear (flange finish matches cone finish)		75°	40 - 4000K-83	
				CP - Chicago Plenum (CCEA) (21w & 30w only)					279 - 2700K-90+	
				IC/AT - insulated ceiling/air tight (21w only)					309 - 3000K-90+	
									CRISP - crisp white	

Complete Unit Example: E4.75R-A14-34-LED-120/E4.75RLDS-A14-SD-W-VWF-30

Housing Example: E4.75R-A14-34-LED-120

Reflector Example: E4.75RLDS-A14-SD-W-VWF-30

Cat #:

Amerlux reserves the right to change details that do not affect overall function and performance.



EVOKE® ROUND LENS DOWNLIGHT

4.75" ROUND LENS DOWNLIGHT SHALLOW LED

E4.75RLDS-A14
LED



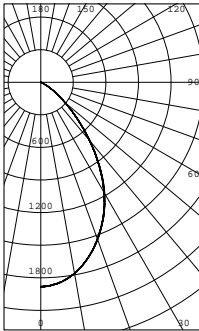
TYPE:



FIXTURE DATA: For 16w data, multiply by 0.47; For 21w data, multiply by 0.62; For 30w data, multiply by 0.88 Complete photometric data (ies format) available upon request.
CCT Correction Factors: 2700-83 = 0.96; 3500-83 = 1.02; 4000-83 = 1.04; 2700-90+ = 0.80; 3000-90+ = 0.83; CRISP = 0.65

34W LED, 3000K-83

VERY WIDE FLOOD
DISTRIBUTION
LTL # 843156

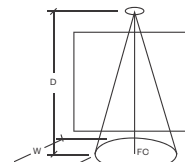


Deg	Candela
0	1883
5	1858
15	1677
25	1367
35	939
45	477

APPLICATION DATA:

Notes and Definitions:

Beam spread is to 50% center beam candlepower (CBCP).
D=Distance to floor or wall.
FC=Footcandles on floor or wall at center beam aiming location.
L=Effective Visual Beam length in feet (50% of maximum footcandle level).
W=Effective Visual Beam width in feet (50% of maximum footcandle level).
CB=Distance across or down to center beam location.



SINGLE UNIT

0° Aiming Angle
Horizontal
Footcandle

	D	FC	L	W
VERY WIDE FLOOD 30W	5.0'	76	5.0	5.0
	7.5'	34	7.5	7.5
	10.0'	19	10.2	10.2
	12.5'	13	13.0	13.0

MULTIPLE UNITS 50'x50' ROOM

VERY WIDE FLOOD, 30W, 10' MOUNTING HEIGHT

Spacing	FC on Floor (avg/max)	FC at 2.5' AFF (avg/max)
6'x6'	21/74	19/75
8'x8'	11/42	10/48
10'x10'	10/29	8/39

EVOKE® ROUND LENS DOWNLIGHT

4.75" ROUND LENS DOWNLIGHT SHALLOW LED

E4.75RLDS-A14
LED



TYPE:



DIMMING COMPATIBILITY:

Amerlux® "Evoke 4.75" fixtures are compatible with all major dimming protocols prevalent in the United States. Please see below for general compatibilities and wiring diagrams. Amerlux recommends testing your unique dimming configuration as the exact full configuration (Dimmer, Fixture Quantity, Voltage, etc) may affect dimming performance.

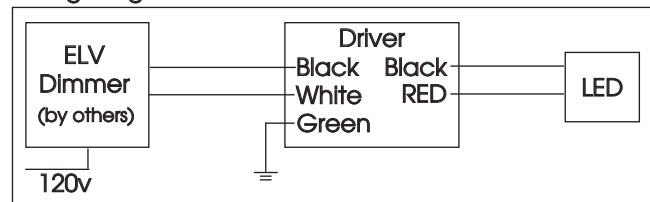
ELV - Electronic Low Voltage (Reverse Phase) DIMMING (standard)

Utilizes specialized "ELV" dimmers. Best for New Construction applications

Notes:

- 120v or 277v
- Dims down to less than 5% light output (most cases)
- Consult Dimming manufacturer for installation Instructions - DO NOT SHARE NEUTRALS!
- Must meet dimmer Minimum Load Requirements

Wiring Diagram



Compatible Dimmers

Wall Box (ELV Style)

Lutron "Diva"
Lutron "Nova-T"
Lutron "Maestro"
Leviton "Surslide"

Lutron "Vareo"
Lutron "Skylark"

Leviton "Vizio"

Central System

ETC "SR" Rack w/ELV10 Module
Lutron "GP" Panel with PHPM-PA Interface

ETC "DRD" Rack w/ELV10 Module
Lutron Grafix Eye QS with PHPM-PA Interface

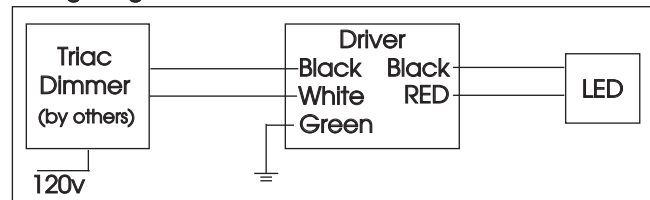
TRIAC (Forward Phase) DIMMING (standard)

Utilizes "Standard" incandescent dimmers that are in wide use in installations across the US. Best for retrofit applications where Triac dimmers are installed.

Notes:

- 120v or 277v
- Dims down to less than 5% light output (most cases)
- Consult Dimming manufacturer for installation Instructions - DO NOT SHARE NEUTRALS!
- Must meet dimmer Minimum Load Requirements per dimming manufacturer

Wiring Diagram



Compatible Dimmers

Wall Box (Incandescent Style, Wattage as required)

Lutron "Diva"
Lutron "Nova-T"
Lutron "Maestro"

Lutron "Vareo"
Lutron "Skylark"

Central System

ETC "SR" Rack w/D20 Module
Lutron "GP" Panel

ETC "DRD" Rack w/D20 Module
Lutron Grafix Eye QS

EVOKE® ROUND LENS DOWNLIGHT

4.75" ROUND LENS DOWNLIGHT SHALLOW LED

E4.75RLDS-A14
LED



TYPE:



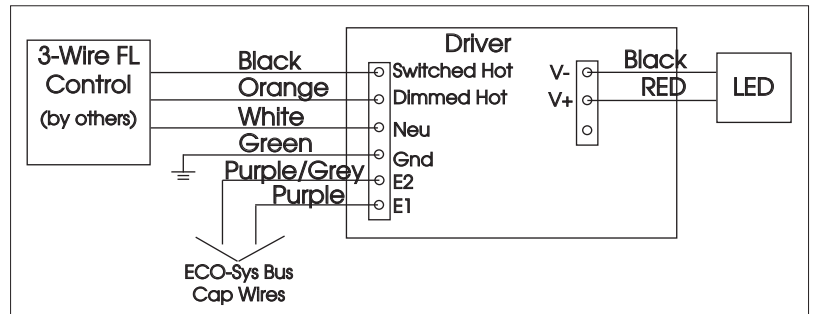
LUTRON HI-LUME / ECO-SYSTEM (-HILUME Option)

Integrates into a variety of building management and daylighting controls

Notes:

- 120v or 277v
- Dims down to less than 5% light output
- May use 3-Wire or Ecosystem Control
- Consult Dimming manufacturer for installation instructions - DO NOT SHARE NEUTRALS!

3-Wire Wiring Diagram



Compatible Dimmers

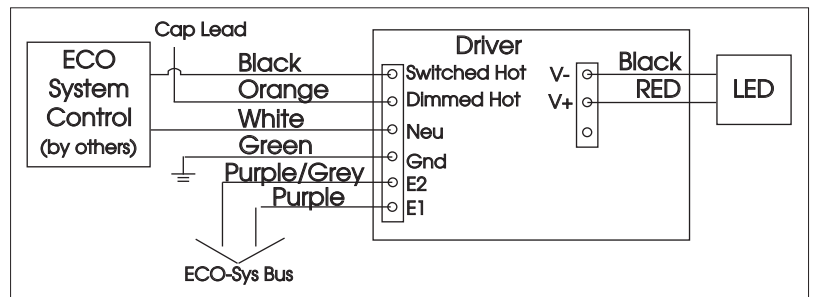
Wall Box (3-Wire Fluorescent)

DIVA
Maestro
Nova T
Vareo

Central System

Lutron ECO-System compatible controls
ETC "SR" Rack w/D20F Module
ETC "DRD" Rack w/D20F Module

ECO System Digital Control Wiring



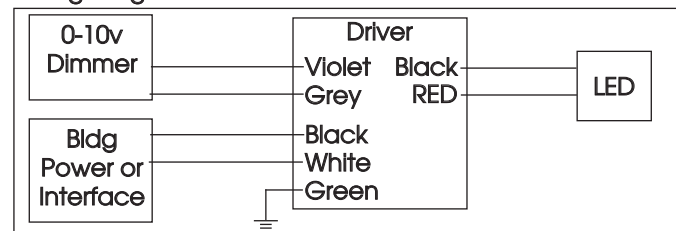
0-10V - DIMMING (-0-10V Option)

Integrates into a variety of building management and daylighting controls

Notes:

- 120v - 277v
- Dims down to less than 10% light output
- Requires interface to turn off power to driver
- Consult Dimming manufacturer for installation instructions - DO NOT SHARE NEUTRALS!

Wiring Diagram



Compatible Dimmers

Wall Box

Lutron "Diva" - DVTV with PP-120H Interface

Leviton Renoir II 0-10v

Central System

Lutron Grafix Eye with GRX-TVI Interface