

EVOKE® HP ROUND ADJUSTABLE

4.75" ROUND ADJUSTABLE LED

APPLICATIONS:

Retail and commercial accent and display lighting

CONSTRUCTION:

20 ga. steel painted matte black
Formed aperture plate with $\frac{5}{8}$ " lip
Integral adjustable locking mounting bars
Thermally protected
Die-cast lamp housing and heat sink


REFLECTOR CONSTRUCTION:

Spun aluminum self-flanged reflector with angle cut
Variety of anodized aperture finishes in both white and clear flange
Steel mounting ring with torsion spring

MOUNTING:

For use in sheetrock or T-grid ceilings, 1" max.

LABELING:

 approved to UL standards as tested by CSA.
For indoor use only
Inherently protected

OPTICS:

0-35° lockable tilt, 360°+ rotation
Available in a variety of beam spreads

LED:

Color Temp Options: 2700K, 3000K, 3500K, 4000K
CRI: 83 typ. (2700K, 3000K, 3500K, 4000K)
90+ typ. (2700, 3000K)
Amerlux® Crisp White technology available (18w max)
R9 Values: 11 (83CRI), 55 (90+CRI)
Life: 50,000 hrs
Binning: 3 MacAdam (SDMC)
Lumen Maintenance: >70% of initial lumens @ 50,000 hrs

ELECTRICAL:

Standard:

Electronic constant current LED driver, 120v or 277v input.
ELV & Triac dimming standard, 120v and 277v
See following pages for more information.

This product complies with IEEE C62.41 for surge endurance up to 2.5kV. Amerlux recommends using additional surge protection with this unit (supplied by others), surge damage is not covered by warranty.

Options:

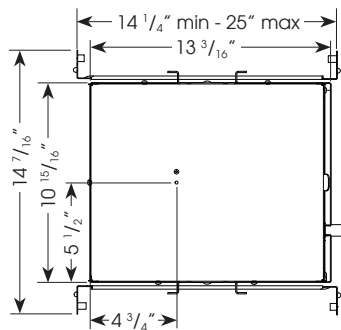
Dimming: Lutron Hi-lume® driver and 0-10v dimming available. See following pages for more information.

E4.75RA-HP-A14
LED

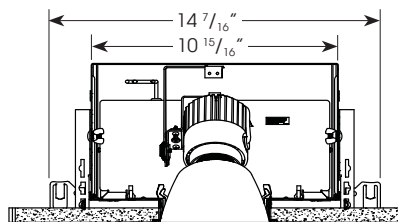
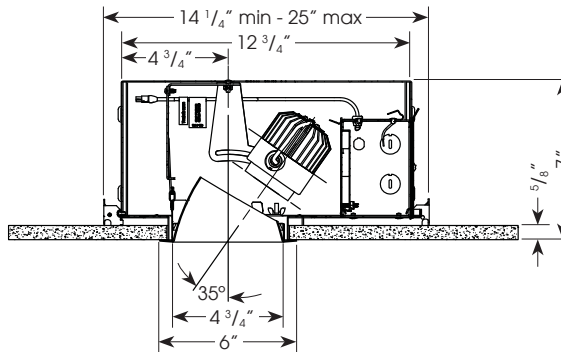


PROJECT:

TYPE:



Ceiling Cut Out Dimension: $5 \frac{3}{8}$ " dia.



ELECTRICAL

Electronic driver

	11w		18w*		20w*	
	System Watts	Amps	System Watts	Amps	System Watts	Amps
120v	11	0.09	18	0.15	20	0.17
277v	11	0.04	18	0.06	20	0.07

* 2w thermal protector included on 18w & 20w



5 year limited warranty
AMERLUX LED

(see website for details)

ORDERING INFORMATION:

HOUSING: Model	Wattage	Lamp Type	Voltage	Beam Spread	Color Temp (CCT-CRI)	Options	REFLECTOR: Model	Aperture Cone/Flange Finish
E4.75RA-HP-A14	11	LED	120	SP - spot, 15°	27 - 2700K-83	HILUME - Lutron Hi-lume® dimming 0-10V - 0-10v dimming CP - Chicago Plenum IC/AT - insulated ceiling, air tight	E4.75RA-HP-A14	SDW - semi-diffuse/white MWW - matte white/white MBB - matte black/black SDC - semi-diffuse/clear (flange finish matches cone finish)
	18		277	NF - narrow flood, 22°	30 - 3000K-83			
	20			MFL - medium flood, 25°	35 - 3500K-83			
				FL - flood, 28°	40 - 4000K-83			
				WF - wide flood, 45°	279 - 2700K-90+ 309 - 3000K-90+			
					CRISP - crisp white (18w max)			

Complete Unit Example: E4.75RA-HP-A14-18-LED-120-SP-30/E4.75RA-HP-A14-SDW

Example: E4.75RA-HP-A14-18-LED-120-SP-30

Example: E4.75RA-HP-A14-SDW

Cat #:

Amerlux reserves the right to change details that do not affect overall function and performance.



EVOKE® HP ROUND ADJUSTABLE

4.75" ROUND ADJUSTABLE LED

E4.75RA-HP-A14
LED



TYPE:



DIMMING COMPATIBILITY:

Amerlux® fixtures are compatible with all major dimming protocols prevalent in the United States. Please see below for general compatibilities and wiring diagrams. Amerlux recommends testing your unique dimming configuration as the exact full configuration (Dimmer, Fixture Quantity, Voltage, etc) may affect dimming performance.

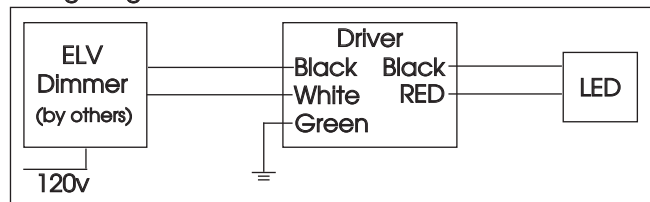
ELV - Electronic Low Voltage (Reverse Phase) DIMMING (standard)

Utilizes specialized "ELV" dimmers. Best for New Construction applications

Notes:

- 120v or 277v
- Dims down to less than 5% light output (most cases)
- Consult Dimming manufacturer for installation Instructions - DO NOT SHARE NEUTRALS!
- Must meet dimmer Minimum Load Requirements

Wiring Diagram



Compatible Dimmers

Wall Box (ELV Style)

Lutron "Diva"
Lutron "Nova-T"
Lutron "Maestro"
Leviton "Surslide"

Lutron "Vareo"
Lutron "Skylark"

Leviton "Vizio"

Central System

ETC "SR" Rack w/ELV10 Module
Lutron "GP" Panel with PHPM-PA Interface

ETC "DRD" Rack w/ELV10 Module
Lutron Grafix Eye QS with PHPM-PA Interface

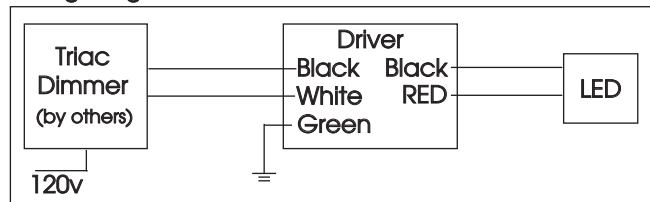
TRIAC (Forward Phase) DIMMING (standard)

Utilizes "Standard" incandescent dimmers that are in wide use in installations across the US. Best for retrofit applications where Triac dimmers are installed.

Notes:

- 120v or 277v
- Dims down to less than 5% light output (most cases)
- Consult Dimming manufacturer for installation Instructions - DO NOT SHARE NEUTRALS!
- Must meet dimmer Minimum Load Requirements per dimming manufacturer

Wiring Diagram



Compatible Dimmers

Wall Box (Incandescent Style, Wattage as required)

Lutron "Diva"
Lutron "Nova-T"
Lutron "Maestro"

Lutron "Vareo"
Lutron "Skylark"

Central System

ETC "SR" Rack w/D20 Module
Lutron "GP" Panel

ETC "DRD" Rack w/D20 Module
Lutron Grafix Eye QS

EVOKE® HP ROUND ADJUSTABLE

4.75" ROUND ADJUSTABLE LED

E4.75RA-HP-A14
LED



TYPE:



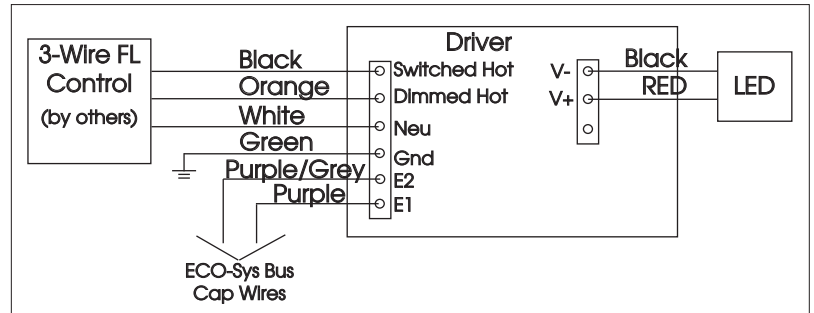
LUTRON HI-LUME / ECO-SYSTEM (-HILUME Option)

Integrates into a variety of building management and daylighting controls

Notes:

- 120v or 277v
- Dims down to less than 5% light output
- May use 3-Wire or Ecosystem Control
- Consult Dimming manufacturer for installation instructions - DO NOT SHARE NEUTRALS!

3-Wire Wiring Diagram



Compatible Dimmers

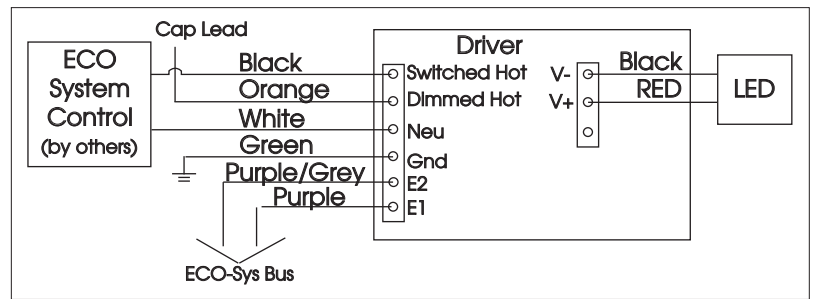
Wall Box (3-Wire Fluorescent)

- DIVA
- Maestro
- Nova T
- Vareo

Central System

- Lutron ECO-System compatible controls
- ETC "SR" Rack w/D20F Module
- ETC "DRD" Rack w/D20F Module

ECO System Digital Control Wiring



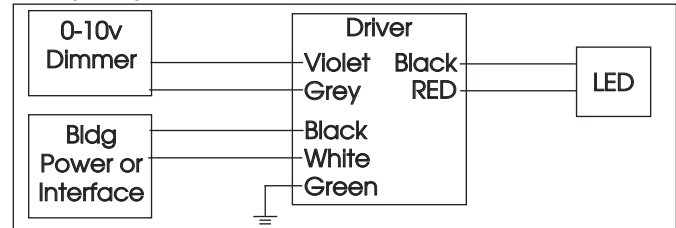
0-10V - DIMMING (-0-10V Option)

Integrates into a variety of building management and daylighting controls

Notes:

- 120v - 277v
- Dims down to less than 10% light output
- Requires interface to turn off power to driver
- Consult Dimming manufacturer for installation instructions - DO NOT SHARE NEUTRALS!

Wiring Diagram



Compatible Dimmers

Wall Box

Lutron "Diva" - DVTV with PP-120H Interface

Leviton Renoir II 0-10v

Central System

Lutron Grafix Eye with GRX-TVI Interface