

# CYLINDRIX® III

MULTIPLE RECESSED 2LT LED

C3R-A14-2  
2LT LED

**APPLICATION:**

Retail & commercial accent & display lighting

**CONSTRUCTION:**

Die-cast aluminum heat sink and lamp housing  
Laser cut steel flange  
Formed steel upper housing and mounting frame  
Powder coat paint, custom colors available, consult factory  
Passive cooled

**ELECTRICAL:**

Electronic constant current LED driver  
120v or 277v input  
Standard dimming down to less than 20%, available on 120v/277v with ELV or Triac (reverse phase) dimming equipment, consult factory for approved device list  
Optional Lutron Hi-lume® or 0-10v dimming available  
**This product complies with IEEE C62.41 for surge endurance up to 2.5KV. Amerlux® recommends using additional surge protection with this unit (supplied by others), surge damage is not covered by warranty.**


**OPTICS:**

LED cluster  
Color Temp Options: 2700K, 3000K, 3500K, 4000K  
CRI: 83 typ. (2200K, 2700K, 3000K, 3500K, 4000K)  
90+ typ. (2700K, 3000K)  
CrispWhite LED available  
R9 Values: 11 (83CRI), 55 (90+CRI)  
Life: 50,000 hrs  
Lumen Maintenance: >70% of initial lumens @ 50,000 hrs  
Lumen Output (31w): SP 2,345; FL 2,227; WF 2,264  
CBCP (31w): SP 18,677; FL 8,683; WF 4,223  
LPW: Up to 75 lpw  
0-45° x 45° tilt, 360° rotation  
Beam Options: Spot 15°, Flood 25°, Wide Flood 40°  
Field interchangeable spun aluminum reflectors

**MOUNTING:**

For use in T-Grid & sheet rock ceiling, max thickness 1"

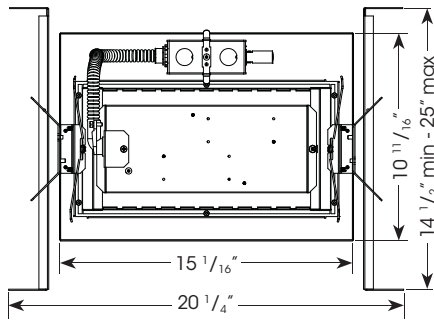
**LABELING:**

 For indoor use only

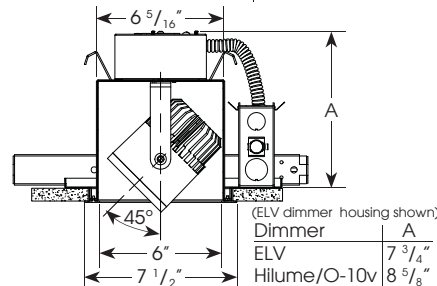
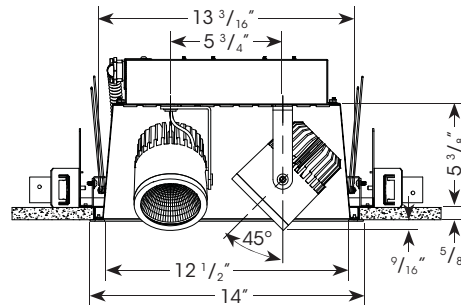


PROJECT:

TYPE:



Ceiling cut out dimension: 7 1/8" x 13 5/8"



**ELECTRICAL**

Electronic driver

	2x16w		2x19w		2x23w		2x27w		2x31w	
	System Watts	Amps	System Watts	Amps	System Watts	Amps	System Watts	Amps	System Watts	Amps
120v	32	0.27	38	0.32	46	0.38	54	0.45	62	0.52
277v	32	0.12	38	0.14	46	0.17	54	0.19	62	0.22

**ORDERING INFORMATION:**

FRAME Model	# Heads	Lamp Type	Voltage	Options/Accessories
C3R/SR-FRAME-A14	2	LED	120 277	EM* - emergency battery pack 0-10V - 0-10v dimming HILUME - Lutron Hi-lume® dimming

Complete Unit Specification:  
C3R/SR-FRAME-A14-2-LED-120/C3R-TRIM-A14-2-31-LED-WT-120/277-FL-FL-WT-30  
Frame Only: C3R/SR-FRAME-A14-2-LED-120  
Trim Only: C3R-TRIM-A14-2-31-LED-WT-120/277-FL-FL-WT-30

TRIM Model	# Heads	Wattage	Lamp Type	Housing/Head Finish	Voltage	Beam Spread Head 1	Head 2	Trim Ring Finish	Color Temp (CCT(K)-CRI)	Options/Accessories
C3R-TRIM-A14	2	16	LED	WT - white	120/277	SP	SP	WT - white	27 - 2700-83	0-10V - 0-10v dimming HILUME - Lutron Hi-lume® dimming HEX - hexcell louver SL - linear spread lens, requires snoot CL - clear glass lens SOL - solite beam softening lens SN - snoot, 3/4" deep (required when more than 1 accessory is used) CB - cross blade, requires snoot EM* - emergency battery pack
		19		texture		FL	FL	texture	30 - 3000-83	
		23		BT - black		WF	WF	BT - black	35 - 3500-83	
		27		texture				texture	40 - 4000-83	
		31		ST - silver				texture	279 - 2700-90+	
								texture	309 - 3000-90+	
					WF - wide flood, 40°	CRISP - CrispWhite				
				(other RAL)						

\*EM Is for 1 head only

Cat #:

Amerlux reserves the right to change details that do not affect overall function and performance.



  
Electrostatic sensitive device,  
observe precautions for  
handling

  
(see next page for details)

**5** year limited  
warranty  
AMERLUX LED  
(see website for details)

# QUICKSHIP CYLINDRIX® III

MULTIPLE RECESSED 2LT LED

C3R-A14-2  
2LT LED

Amerlux® QuickShip makes it possible not only to keep up with expectations, but to keep ahead of them. We help enhance your competitive edge, ensuring you can start installation more quickly than you thought possible.

We can ship within 5-10 business days of your Amerlux QuickShip order, depending upon the selection.

- **QuickShip must be clearly marked on all P.O.'s.**
- **Must note on P.O. if requesting frames ship first.**
- **Standard shipping terms apply.**
- **See terms & conditions below.**

**Quantity:** 100 pieces or less  
Frames: 5 days  
Trims: 10 days



PROJECT:

TYPE:

## QUICKSHIP ORDERING INFORMATION:

Frame:				Trim:									
Model	Heads	Lamp Type	Volts	Model	Heads	Watts	Lamp Type	Housing/ Head Finish	Volts	Beam Spread Head1	Head2	Trim Ring Finish	Color Temp (CCT(K)-CRI)
C3R/SR-FRAME-A14	2	LED	120 277	C3R-TRIM-A14	2	16 19 23 27 31	LED	WT - white texture	120/277	SP FL WF	SP FL WF	WT-white texture	30 - 3000-83 35 - 3500-83
										SP - spot, 15° FL - flood, 25° WF - wide flood, 40°			

Complete **QuickShip** Example: C3R/SR-FRAME-A14-2-LED-120/C3R-TRIM-A14-2-16-LED-WT-120/277-SP-SP-WT-30  
Frame Example: C3R/SR-FRAME-A14-2-LED-120  
Trim Example: C3R-TRIM-A14-2-16-LED-WT-120/277-SP-SP-WT-30

Cat #:

## Terms & Conditions

1. For QuickShip processing, please submit QuickShip items on separate purchase order and indicate "QuickShip" on order.
2. Configurations outside of what is displayed on the QuickShip program are not available under the QuickShip lead times.
3. Please contact Customer Support to process orders with quantities larger than those listed.
4. Orders will be entered within 24 hours of receipt of a clean purchase order. Lead times are calculated by business days from time of sales order confirmation. Orders will ship within QuickShip lead times or sooner.
5. Change orders and order cancellations cannot be processed after sales order confirmation is generated.
6. For freight allowed (greater than \$3,000), order will ship complete based on longest lead time item. Please indicate on PO if Partial Shipments are approved and indicate freight method. For partial shipments under \$3,000, customer will be invoiced for freight.
7. All Lead times indicate when the fixture ships from Amerlux®. Arrival at destination is contingent upon carrier.

### Expedite your orders by providing:

- Separate purchase order noting "QuickShip Program"
- Complete and accurate configurations
- Accurate pricing, quote number, shipping and contact information

**Amerlux reserves the right to modify this program at any time.**

# CYLINDRIX® III

MULTIPLE RECESSED 2LT LED

C3R-A14-2  
2LT LED



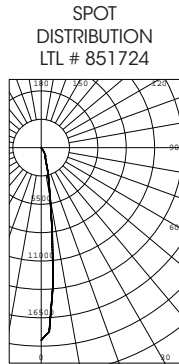
TYPE:



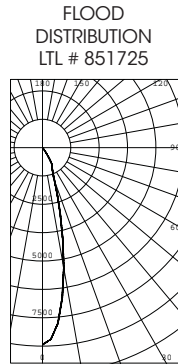
**FIXTURE DATA:** Multiplying Factors: 0.52 for 16w; 0.61 for 19w; 0.74 for 23w; 0.87 for 27w

Complete photometric data (ies format) available upon request.

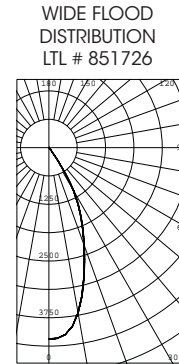
Note: Data per head  
**31W LED**



Candelas at Nadir	
Deg	Candela
0	18677
5	13251
15	2560
25	952
35	228
45	12



Candelas at Nadir	
Deg	Candela
0	8683
5	7773
15	3031
25	1009
35	253
45	20

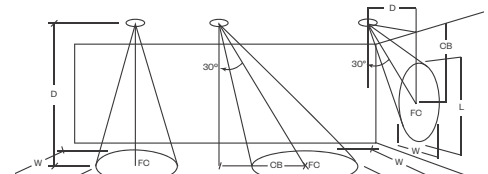


Candelas at Nadir	
Deg	Candela
0	4223
5	4139
15	2980
25	1658
35	323
45	26

**APPLICATION DATA:**

**Notes and Definitions:**

Beam spread is to 50% center beam candlepower (CBCP).  
 D=Distance to floor or wall.  
 FC=Footcandles on floor or wall at center beam aiming location.  
 L=Effective Visual Beam length in feet (50% of maximum footcandle level).  
 W=Effective Visual Beam width in feet (50% of maximum footcandle level).  
 CB=Distance across or down to center beam location.



	0° Aiming Angle Horizontal Footcandles				30° Aiming Angle Horizontal Footcandles				30° Aiming Angle Vertical Footcandles				60° Aiming Angle Vertical Footcandles						
	D	FC	L	W	D	FC	L	W	CB	D	FC	L	W	CB	D	FC	L	W	CB
SPOT	5.0'	745	1.3	1.3	5.0'	463	1.7	1.4	3.0	3.0'	279	2.9	1.4	5.0	3.0'	1010	1.4	1.1	2.0
	7.5'	332	1.7	1.7	7.5'	221	2.4	2.0	4.0	4.0'	168	3.7	1.7	6.0	4.0'	723	1.5	1.2	2.0
	10.0'	187	2.6	2.6	10.0'	116	3.4	3.0	5.0	5.0'	108	4.3	2.4	8.0	5.0'	465	1.7	1.4	3.0
	12.5'	120	3.1	3.1	12.5'	79	4.0	3.5	7.0	6.0'	75	5.3	2.8	9.0	6.0'	322	2.2	1.6	3.0
FLOOD	5.0'	347	2.1	2.1	5.0'	217	2.8	2.5	3.0	3.0'	168	3.6	2.1	4.0	3.0'	524	2.2	1.4	2.0
	7.5'	154	3.2	3.2	7.5'	104	3.9	3.5	4.0	4.0'	93	4.7	2.9	5.0	4.0'	369	2.1	1.8	2.0
	10.0'	87	4.1	4.1	10.0'	59	5.2	4.7	5.0	5.0'	60	5.8	3.6	7.0	5.0'	218	2.8	2.5	3.0
	12.5'	56	5.2	5.2	12.5'	38	6.6	5.8	6.0	6.0'	42	7.1	4.3	8.0	6.0'	164	3.2	2.9	3.0
WIDE FLOOD	5.0'	169	3.4	3.4	5.0'	126	3.9	3.6	2.0	3.0'	118	3.6	3.0	3.0	3.0'	335	2.5	2.2	1.0
	7.5'	76	5.1	5.1	7.5'	56	5.9	5.4	3.0	4.0'	67	4.7	4.0	4.0	4.0'	189	3.3	3.1	2.0
	10.0'	43	6.8	6.8	10.0'	32	8.0	7.3	4.0	5.0'	43	6.1	5.0	5.0	5.0'	127	4.0	3.6	2.0
	12.5'	27	8.5	8.5	12.5'	20	10.0	9.2	5.0	6.0'	30	7.4	6.0	6.0	6.0'	84	5.0	4.6	3.0