

CYLINDRIX® III

MULTIPLE RECESSED TRIMLESS 1LT LED

C3RTLX-A14-1
1LT LED

APPLICATION:

Retail & commercial accent & display lighting

CONSTRUCTION:

Die-cast aluminum heat sink and lamp housing
Formed steel upper housing and mounting frame
Steel plaster frame
Powder coat paint, custom colors available, consult factory
Passive cooled

ELECTRICAL:

Electronic constant current LED driver
120v or 277v input
Standard dimming down to less than 20%, available on 120v/277v with ELV or Triac (reverse phase) dimming equipment, consult factory for approved device list
Optional Lutron Hi-lume® or 0-10v dimming available

This product complies with IEEE C62.41 for surge endurance up to 2.5KV. Amerlux® recommends using additional surge protection with this unit (supplied by others), surge damage is not covered by warranty.


OPTICS:

LED cluster
Color Temp Options: 2700K, 3000K, 3500K, 4000K
CRI: 83 typ. (2200K, 2700K, 3000K, 3500K, 4000K)
90+ typ. (2700K, 3000K)
CrispWhite LED available
R9 Values: 11 (83CRI), 55 (90+CRI)
Life: 50,000 hrs
Lumen Maintenance: >70% of initial lumens @ 50,000 hrs
Lumen Output (31w): SP 2,345; FL 2,227; WF 2,264
CBCP (31w): SP 18,677; FL 8,683; WF 4,223
LPW: Up to 75 lpw
0-25° tilt, 360° rotation
Beam Options: Spot 12°, Flood 25°, Wide Flood 40°
Field interchangeable spun aluminum reflectors

MOUNTING:

For use in sheet rock ceiling

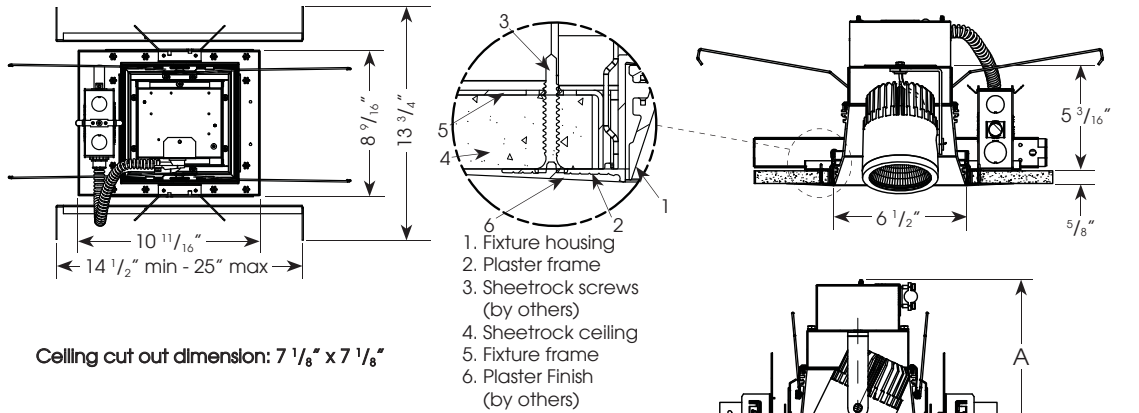
LABELING:

 For indoor use only



PROJECT:

TYPE:




Electrostatic sensitive device,
observe precautions for
handling

ELECTRICAL

Electronic driver

	16w		19w		23w		27w		31w	
	System Watts	Amps	System Watts	Amps	System Watts	Amps	System Watts	Amps	System Watts	Amps
120v	16	0.13	19	0.16	23	0.19	27	0.23	31	0.26
277v	16	0.06	19	0.07	23	0.08	27	0.10	31	0.11

ORDERING INFORMATION:

FRAME Model	# Heads	Lamp Type	Voltage	Options/Accessories
C3RTLX-FRAME-A14	1	LED	120 277	0-10V - 0-10v dimming HILUME - Lutron Hi-lume® dimming

Complete Unit Specification:
C3RTLX-FRAME-A14-1-ED-120/C3RTLX-TRIM-A14-1-31-LED-WT-120/277-FL-30
Frame Only: C3RTLX-FRAME-A14-1-ED-120
Trim Only: C3RTLX-TRIM-A14-1-31-LED-WT-120/277-FL-30

TRIM Model	# Heads	Wattage	Lamp Type	Housing/Head Finish	Voltage	Beam Spread	Color Temp (CCT(K)-CRI)	Options/Accessories
C3RTLX-TRIM-A14	1	16 19 23 27 31	LED	WT - white texture BT - black texture ST - silver texture — (other RAL)	120/277	SP - spot, 15° FL - flood, 25° WF - wide flood, 40°	27 - 2700-83 30 - 3000-83 35 - 3500-83 40 - 4000-83 279 - 2700-90+ 309 - 3000-90+ CRISP - CrispWhite	0-10V - 0-10v dimming HILUME - Lutron Hi-lume® dimming HEX - hexcell louver SL - linear spread lens, requires snoot CL - clear glass lens SOL - solite beam softening lens SN - snoot, 3/4" deep (required when more than 1 accessory is used) CB - cross blade, requires snoot

Cat #:

Amerlux reserves the right to change details that do not affect overall function and performance.



CYLINDRIX® III

MULTIPLE RECESSED TRIMLESS 1LT LED

C3RTLX-A14-1
1LT LED



TYPE:

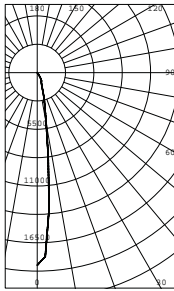


FIXTURE DATA: Multiplying Factors: 0.52 for 16w; 0.61 for 19w; 0.74 for 23w; 0.87 for 27w

Complete photometric data (ies format) available upon request.

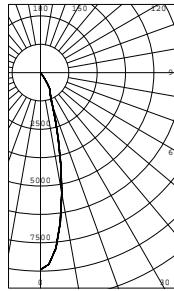
Note: Data per head
31W LED

SPOT
DISTRIBUTION
LTL # 851724



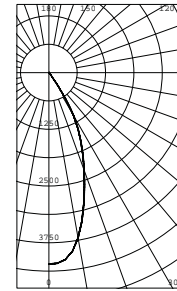
Candelas at Nadir	
Deg	Candela
0	18677
5	13251
15	2560
25	952
35	228
45	12

FLOOD
DISTRIBUTION
LTL # 851725



Candelas at Nadir	
Deg	Candela
0	8683
5	7773
15	3031
25	1009
35	253
45	20

WIDE FLOOD
DISTRIBUTION
LTL # 851726

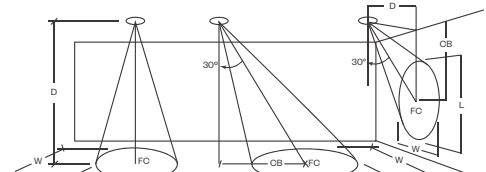


Candelas at Nadir	
Deg	Candela
0	4223
5	4139
15	2980
25	1658
35	323
45	26

APPLICATION DATA:

Notes and Definitions:

Beam spread is to 50% center beam candlepower (CBCP).
 D=Distance to floor or wall.
 FC=Footcandles on floor or wall at center beam aiming location.
 L=Effective Visual Beam length in feet (50% of maximum footcandle level).
 W=Effective Visual Beam width in feet (50% of maximum footcandle level).
 CB=Distance across or down to center beam location.



	0° Aiming Angle Horizontal Footcandles				30° Aiming Angle Horizontal Footcandles					30° Aiming Angle Vertical Footcandles					60° Aiming Angle Vertical Footcandles				
	D	FC	L	W	D	FC	L	W	CB	D	FC	L	W	CB	D	FC	L	W	CB
SPOT	5.0'	745	1.3	1.3	5.0'	463	1.7	1.4	3.0	3.0'	279	2.9	1.4	5.0	3.0'	1010	1.4	1.1	2.0
	7.5'	332	1.7	1.7	7.5'	221	2.4	2.0	4.0	4.0'	168	3.7	1.7	6.0	4.0'	723	1.5	1.2	2.0
	10.0'	187	2.6	2.6	10.0'	116	3.4	3.0	5.0	5.0'	108	4.3	2.4	8.0	5.0'	465	1.7	1.4	3.0
	12.5'	120	3.1	3.1	12.5'	79	4.0	3.5	7.0	6.0'	75	5.3	2.8	9.0	6.0'	322	2.2	1.6	3.0
FLOOD	5.0'	347	2.1	2.1	5.0'	217	2.8	2.5	3.0	3.0'	168	3.6	2.1	4.0	3.0'	524	2.2	1.4	2.0
	7.5'	154	3.2	3.2	7.5'	104	3.9	3.5	4.0	4.0'	93	4.7	2.9	5.0	4.0'	369	2.1	1.8	2.0
	10.0'	87	4.1	4.1	10.0'	59	5.2	4.7	5.0	5.0'	60	5.8	3.6	7.0	5.0'	218	2.8	2.5	3.0
	12.5'	56	5.2	5.2	12.5'	38	6.6	5.8	6.0	6.0'	42	7.1	4.3	8.0	6.0'	164	3.2	2.9	3.0
WIDE FLOOD	5.0'	169	3.4	3.4	5.0'	126	3.9	3.6	2.0	3.0'	118	3.6	3.0	3.0	3.0'	335	2.5	2.2	1.0
	7.5'	76	5.1	5.1	7.5'	56	5.9	5.4	3.0	4.0'	67	4.7	4.0	4.0	4.0'	189	3.3	3.1	2.0
	10.0'	43	6.8	6.8	10.0'	32	8.0	7.3	4.0	5.0'	43	6.1	5.0	5.0	5.0'	127	4.0	3.6	2.0
	12.5'	27	8.5	8.5	12.5'	20	10.0	9.2	5.0	6.0'	30	7.4	6.0	6.0	6.0'	84	5.0	4.6	3.0