

# HORNET HP DOWNLIGHT

## 3.5" ROUND LENSED WALL WASH REMODELER TRIMLESS LED

### APPLICATIONS:

Retail and commercial wall wash lighting

### CONSTRUCTION:

20 ga. galvanized steel frame  
Cast aluminum plaster frame with perforated face  
Die-cast trim, extruded aluminum heat sink  
Optic can be rotated to any position

### ELECTRICAL:

Electronic constant current LED driver, 120v or 277v input  
ELV and Triac dimming standard, 120v or 277v.  
Optional 0-10v or Lutron Hilume dimming available. See following pages for details.

**This product complies with IEEE C62.41 for surge endurance up to 2.5KV. Amerlux recommends using additional surge protection with this unit (supplied by others), surge damage is not covered by warranty.**

### MOUNTING:

For use in sheet rock ceilings, typical ceiling thickness  $\frac{5}{8}$ "

### OPTICS:


High reflectance, highly diffuse mixing chamber  
Engineered nano technology lens provides transmission while concealing LED image  
LED:

Color Temp Options: 2200K, 2700K, 3000K, 3500K, 4000K  
CRI: 83 typ. (2700K, 3000K, 3500K, 4000K)  
90+ typ. (2200K, 2700K, 3000K)

Optional Amerlux CrispWhite technology  
R9 Value: 11 (83CRI), 55 (90+CRI)  
Binning: 3 MacAdam (SDMC)

Life: 50,000 hrs  
Lumen Maintenance: >70% of initial lumens @ 50,000 hrs  
Lumen Output (at 3000K):  
16W: 1084 lm 23W: 1558 lm

### LABELING:

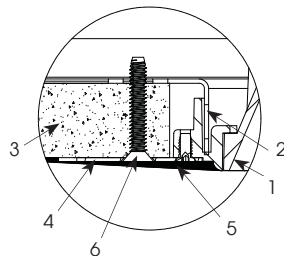
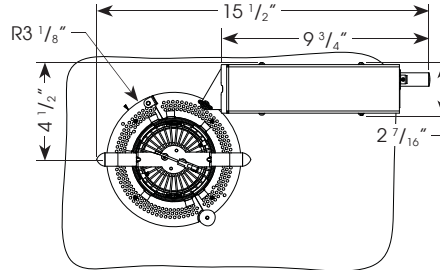
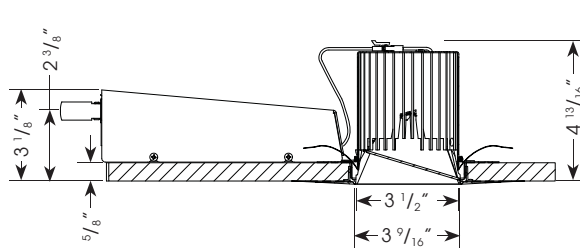
 approved to UL standards as tested by CSA.  
For indoor use only  
Damp location

HDL-HP-RLW-REM-  
A14-TL  
LED



PROJECT:

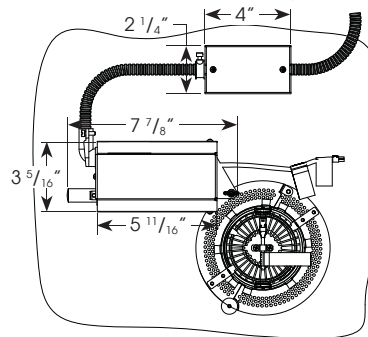
TYPE:



Celling Cut Out Dimension: 4 1/2" dia.

1. Reflector Trim
2. Fixture Housing Aperture Plate
3. Ceiling 5/8" (1" max)
4. Cast Aluminum Plaster Frame
5. Plaster Skim Coat (by others)
6. 6-32 Type F Thread Cutting Screw

For 0-10V & Hilume dimming option



### ELECTRICAL

Electronic driver

	16W		23W	
	System Watts	System Amps	System Watts	System Amps
120v	16	0.13	23	0.19
277v	16	0.06	23	0.08

### ORDERING INFORMATION:

Housing: Model	Wattage	Lamp Type	Voltage	Options	Trim: Model	Aperture Finish	Color Temp (CCT-CRI)
HDL-HP-R-REM-A14-TL	16 23	LED	120 277	0-10V - 0-10v dimming HILUME - Lutron Hilume® dimming	HDL-HP-RLW-A14-TL	MB - matte black MW - matte white SLV - matte silver	27 - 2700K-83 30 - 3000K-83 35 - 3500K-83 40 - 4000K-83  229 - 2200K-90+ 279 - 2700K-90+ 309 - 3000K-90+

Title 24  
Compliant

5 year limited  
warranty  
AMERLUX LED  
(see website for details)

Complete Example: HDL-HP-R-REM-A14-TL-23-LED-120/HDL-HP-RLW-A14-TL-MW-30

Housing Example: HDL-HP-R-REM-A14-TL-23-LED-120

Reflector Example: HDL-HP-RLW-A14-TL-MW-30

Cat #:

Amerlux reserves the right to change details that do not affect overall function and performance.

# HORNET HP DOWNLIGHT

3.5" ROUND LENSED WALL WASH REMODELER TRIMLESS LED

HDL-HP-RLW-REM-  
A14-TL  
LED



TYPE:



**FIXTURE DATA:** For 16W data, multiply by 0.70

Complete photometric data (ies format) available upon request.

CCT Conversion Factor: 2700K-83 = 0.96; 3500K-83 = 1.02; 4000K-83 = 1.04; 2200K-90+ = 0.71; 2700-90+ = 0.80; 3000K-90+ = 0.83; CRISP = 0.65

Hornet HP Round Lens Wall Washer 23W LED 3000K-83

Source: LED with frosted plastic optic Lumens: 1558

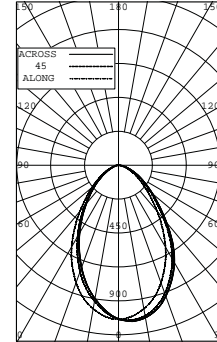
Recessed

## ZONAL LUMEN SUMMARY

Zone	Lumens	%Fixt
0-30	683	43.85
0-40	1005	64.53
0-60	1411	90.60
0-90	1558	100.00
40-90	553	35.47
60-90	146	9.40
90-180	0	0.0
0-180	1558	100.00

Luminaire Efficacy: 68.9 lumens/watt

LTL# 631078



## APPLICATION DATA:

### Footcandles on Wall

Footcandles are average and rounded off.  
Data for multiple units are based  
on a minimum of five units.

1.5 Feet From Wall

Distance from ceiling	1.5' Spacing				
	0.5'	1.5'	2.5'	3.5'	4.5'
0.5'	48	50	50	50	48
1.5'	94	99	100	99	91
2.5'	88	94	95	94	88
3.5'	60	66	68	66	61
4.5'	40	44	46	45	41
5.5'	28	31	32	31	29
6.5'	21	23	23	23	21
7.5'	16	17	18	17	16

1.5 Feet From Wall

Distance from ceiling	2' Spacing						
	0.5'	1.5'	2.5'	3.5'	4.5'	5.5'	6.5'
0.5'	37	40	37	40	37	40	36
1.5'	72	77	75	78	74	77	72
2.5'	69	73	74	75	74	73	69
3.5'	48	52	54	54	54	52	49
4.5'	33	36	37	38	37	36	33
5.5'	23	26	27	27	27	26	24
6.5'	17	19	20	20	20	19	18
7.5'	14	15	16	16	16	15	14

2 Feet From Wall

Distance from ceiling	2' Spacing						
	0.5'	1.5'	2.5'	3.5'	4.5'	5.5'	6.5'
0.5'	21	23	22	23	23	22	22
1.5'	48	51	51	52	51	51	48
2.5'	56	59	61	61	61	60	56
3.5'	47	51	52	53	53	51	47
4.5'	36	39	41	41	41	39	36
5.5'	27	29	31	31	31	29	27
6.5'	21	22	24	24	24	23	21
7.5'	16	18	19	19	19	18	16

# HORNET HP DOWNLIGHT

3.5" ROUND LENSED WALL WASH REMODELER TRIMLESS LED

HDL-HP-RLW-REM-  
A14-TL  
LED



TYPE:



## DIMMING COMPATIBILITY:

Amerlux® "Hornet" fixtures are compatible with all major dimming protocols prevalent in the United States. Please see below for general compatibilities and wiring diagrams. Amerlux recommends testing your unique dimming configuration as the exact full configuration (Dimmer, Fixture Quantity, Voltage, etc) may affect dimming performance.

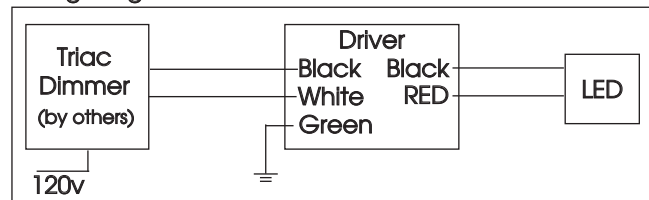
### TRIAC (Forward Phase) DIMMING (-DIM-TRIAC Option) ---not compatible with 12w module---

Utilizes "Standard" incandescent dimmers that are in wide use in installations across the US. Best for retrofit applications where Triac dimmers are installed.

#### Notes:

- 120v only
- Dims down to less than 5% light output (most cases)
- Consult Dimming manufacturer for installation instructions - DO NOT SHARE NEUTRALS!
- Must meet dimmer Minimum Load Requirements per dimming manufacturer

#### Wiring Diagram



#### Compatible Dimmers

##### Wall Box (Incandescent Style, Wattage as required)

Lutron "Diva"  
Lutron "Nova-T"  
Lutron "Maestro"

Lutron "Vareo"  
Lutron "Skylark"

##### Central System

ETC "SR" Rack w/D20  
Module  
Lutron "GP" Panel

ETC "DRD" Rack w/D20  
Module  
Lutron Grafix Eye QS

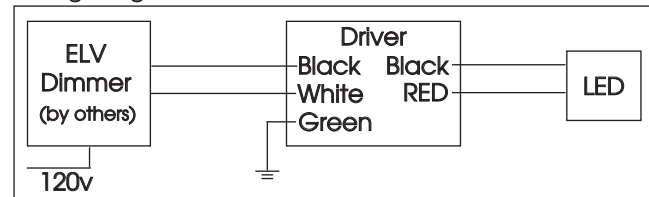
### ELV - Electronic Low Voltage (Reverse Phase) DIMMING (-DIM-ELV Option)

Utilizes specialized "ELV" dimmers. Best for New Construction applications

#### Notes:

- 120v only
- Dims down to less than 5% light output (most cases)
- Consult Dimming manufacturer for installation instructions - DO NOT SHARE NEUTRALS!
- Must meet dimmer Minimum Load Requirements

#### Wiring Diagram



#### Compatible Dimmers

##### Wall Box (ELV Style)

Lutron "Diva"  
Lutron "Nova-T"  
Lutron "Maestro"  
Leviton "Surslide"

Lutron "Vareo"  
Lutron "Skylark"  
Leviton "Vizio"

##### Central System

ETC "SR" Rack w/ELV10  
Module  
Lutron "GP" Panel with  
PHPM-PA Interface

ETC "DRD" Rack w/ELV10  
Module  
Lutron Grafix Eye QS with  
PHPM-PA Interface

# HORNET HP DOWNLIGHT

3.5" ROUND LENSED WALL WASH REMODELER TRIMLESS LED

HDL-HP-RLW-REM-  
A14-TL  
LED



TYPE:



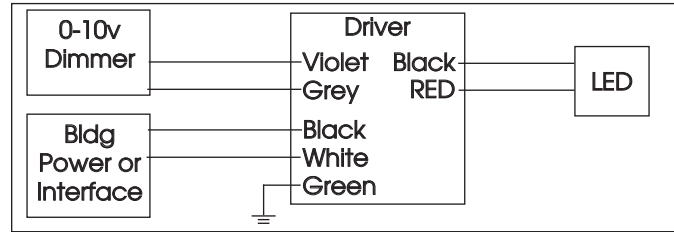
## 0-10V - DIMMING (-0-10V Option)

Integrates into a variety of building management and daylighting controls

### Notes:

- 120v - 277v
- Dims down to 1% light output
- Requires interface to turn off power to driver
- Consult Dimming manufacturer for installation instructions - DO NOT SHARE NEUTRALS!

### Wiring Diagram



### Compatible Dimmers

#### Wall Box

Lutron "Diva" - DVTV with PP-120H Interface

Leviton Renoir II 0-10v

#### Central System

Lutron Grafix Eye with GRX-TVI Interface

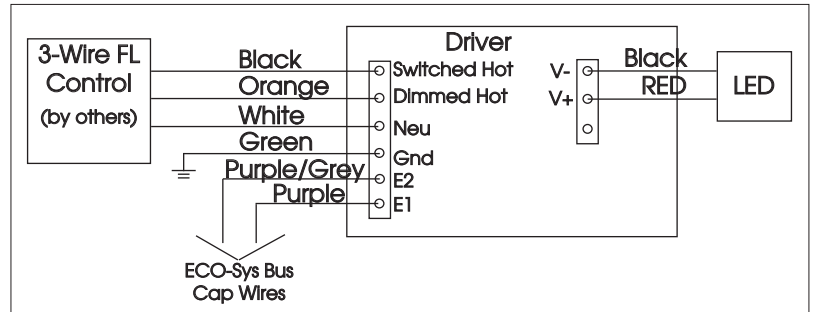
## LUTRON HI-LUME / ECO-SYSTEM (-DIM-HILUME Option)

Integrates into a variety of building management and daylighting controls

### Notes:

- 120v or 277v
- Dims down to less than 5% light output
- May use 3-Wire or Ecosystem Control
- Consult Dimming manufacturer for installation instructions - DO NOT SHARE NEUTRALS!

### 3-Wire Wiring Diagram



### Compatible Dimmers

#### Wall Box (3-Wire Fluorescent)

DIVA  
Maestro  
Nova T  
Vareo

#### Central System

Lutron ECO-System compatible controls  
ETC "SR" Rack w/D20F Module  
ETC "DRD" Rack w/D20F Module

### ECO System Digital Control Wiring

