

MURRO LED WALL WASH

VERTICAL TRACK WALL WASH LED

APPLICATION

Wall wash lighting for retail, commercial & hospitality environments

CONSTRUCTION:

Die-cast heatsink
Extruded driver enclosure
No exposed wiring
Powder coat paint

ELECTRICAL:

Electronic constant current LED driver, 120V - 277V input
ELV and Triac dimming standard, 120V or 277V.
See following pages for more information.

This product complies with IEEE C62.41 for surge endurance up to 2.5KV. Amerlux® recommends using additional surge protection with this unit (supplied by others), surge damage is not covered by warranty.

OPTICS:

0-180° tilt, 360° rotation
Wall wash beam spread
LED:

Color Temp Options: 2700K, 3000K, 3500K, 4000K
CRI: 83 typ. (2700K, 3000K, 3500K, 4000K)
90+ typ. (2700K, 3000K)
CrispWhite & 3K Class A LEDs available
R9 Values: 11 (83CRI), 55 (90+CRI)
Binning: 3 MacAdam
Lumen Maintenance: >70% of initial lumens @ 50,000 hrs
Lumen Output: 19W 2114 lm, 111.3 lpw
31W 3203 lm, 102.7 lpw

MOUNTING:

Track, canopy, c-clamp and busway
Note: Ceiling mounted track only

LABELING:

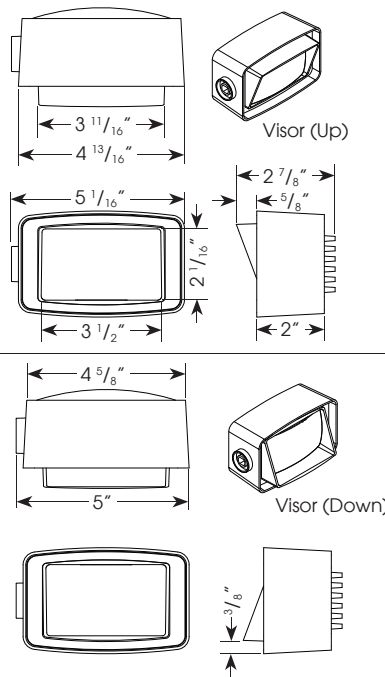
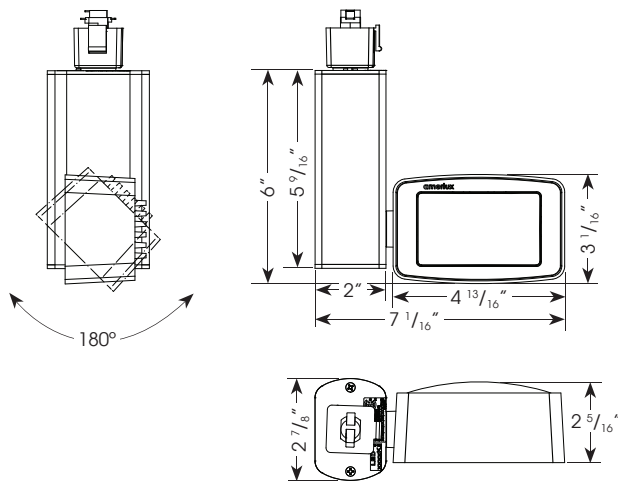


MURV
LED



PROJECT:

TYPE:



ELECTRICAL

Electronic driver

	19W		31W	
	System Watts	Amps	System Watts	Amps
120V	19	0.16	31	0.26
277V	19	0.07	31	0.11

ORDERING INFORMATION:

Model	Wattage	Lamp Type	Finish	Mounting	Voltage	Beam Spread	Color Temp (CCT-CRI)	Options
MURV	19 31	LED	WT - white texture BT - black texture ST - silver texture — (other RAL)	TN1 - Global GES 1cir/H-Style, 120v TEK - Global TEK 2cir/2neut, 120v TN3 - Global XTS 3cir, 120v TN2 - Global HTEK 2cir/2neut, 277v CT - J-Style LOL - L-Style CPR - Capri adapter LLAB - Litelab Bus Run, 120v B - busway (compact series B40,B60c only, consult factory for other busway adapters) C - canopy CCL2-SCP - C-clamp with straight cord, 6' CCL2-CCP - C-clamp with coil cord, 5'	120 277	WW - wall wash	27 - 2700K-83 30 - 3000K-83 35 - 3500K-83 40 - 4000K-83 279 - 2700K-90+ 309 - 3000K-90+ CRISP - CrispWhite 3CLA - 3K Class A	VISU - visor up VISD - visor down

Example: MURV-31-LED-WT-TN1-120-WW-30

Cat #:

Amerlux reserves the right to change details that do not affect overall function and performance.

MURRO LED WALL WASH

VERTICAL TRACK WALL WASH LED

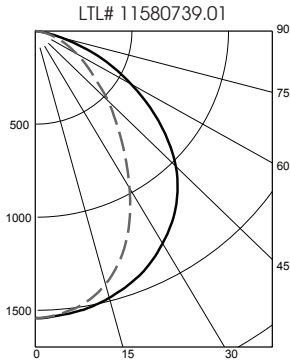


TYPE:

FIXTURE DATA: For 19w data, multiply by 0.66
 CCT Correction Factors: 2700-83 = 0.96; 3500-83 = 1.02; 4000-83 = 1.04
 2700-90+ = 0.80; 3000-90+ = 0.83; CRISP = 0.65

Complete photometric data (.ies format) available upon request.

MURRO LED WALL WASH 31W 3000K
 Source: 1 white LED array Lumens: 3,203
 Track Mounting



ZONAL LUMEN SUMMARY

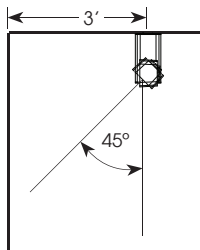
Zone	Lumens	%Fixt
0-40	1763	55.0
0-60	2768	86.4
0-90	3203	100.0
60-90	244	8.52
90-180	0	0.00

Efficacy (Lm/W = 102.7)

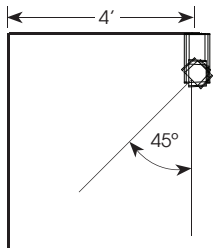
APPLICATION DATA:

Footcandles on Wall

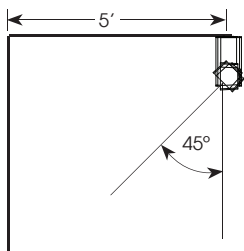
Footcandles are average and rounded off.
 Data for multiple units are based on a minimum of five units.



Distance from ceiling	0.5'	1.5'	2.5'	3.5'	4.5'	5.5'	6.5'	7.5'	8.5'
0.5'	93	94	72	54	53	70	93	94	
1.5'	117	119	93	72	71	91	117	118	
2.5'	92	93	80	68	67	79	92	92	
3.5'	63	63	58	54	54	58	63	63	
4.5'	43	43	42	40	40	42	42	42	
5.5'	30	30	30	29	29	30	30	30	
6.5'	23	23	22	22	22	22	22	22	
7.5'	18	18	18	17	17	17	17	17	
8.5'	14	14	14	14	14	14	14	14	



Distance from ceiling	0.5'	1.5'	2.5'	3.5'	4.5'	5.5'	6.5'	7.5'	8.5'
0.5'	51	51	43	34	29	29	34	43	51
1.5'	68	68	57	45	38	38	45	57	68
2.5'	64	64	56	47	41	41	47	56	64
3.5'	51	51	47	41	38	38	41	47	50
4.5'	38	38	36	34	32	32	33	36	38
5.5'	29	29	28	27	26	26	27	28	28
6.5'	22	22	22	21	21	21	21	22	22
7.5'	18	18	17	17	17	17	17	17	17
8.5'	15	15	15	14	14	14	14	14	14



Distance from ceiling	0.5'	1.5'	2.5'	3.5'	4.5'	5.5'	6.5'	7.5'	8.5'
0.5'	35	35	32	28	26	26	28	32	35
1.5'	46	46	42	37	34	34	37	42	46
2.5'	49	49	45	41	38	38	41	45	49
3.5'	44	44	42	39	37	37	39	42	44
4.5'	37	37	35	34	33	33	34	36	37
5.5'	30	30	30	30	28	28	29	30	30
6.5'	24	24	24	24	23	23	24	24	24
7.5'	20	20	20	20	20	20	20	20	20
8.5'	16	17	17	17	17	17	17	17	17

MURRO LED WALL WASH

VERTICAL TRACK WALL WASH LED



TYPE:

MURV
LED



DIMMING COMPATIBILITY:

Amerlux® "Murro LED" track head is compatible with TRIAC and ELV dimming protocols prevalent in the United States. Please see below for general compatibilities and wiring diagrams. Amerlux recommends testing your unique dimming configuration as the exact full configuration (Dimmer, Fixture Quantity, Voltage, etc) may affect dimming performance.

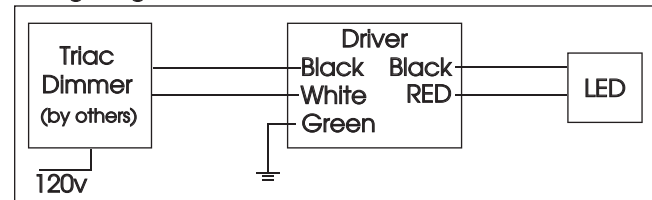
TRIAC (Forward Phase) DIMMING (standard)

Utilizes "Standard" incandescent dimmers that are in wide use in installations across the US. Best for retrofit applications where Triac dimmers are installed.

Notes:

- 19W-120v only, 31W-120v or 277v
- Dims down to less than 5% light output (most cases)
- Consult Dimming manufacturer for installation instructions - DO NOT SHARE NEUTRALS!
- Must meet dimmer Minimum Load Requirements per dimming manufacturer

Wiring Diagram



Compatible Dimmers

Wall Box (Incandescent Style, Wattage as required)

Lutron "Diva"	Lutron "Vareo"
Lutron "Nova-T"	Lutron "Skylark"
Lutron "Maestro"	

Central System

ETC "SR" Rack w/D20 Module	ETC "DRD" Rack w/D20 Module
Lutron "GP" Panel	Lutron Grafix Eye QS

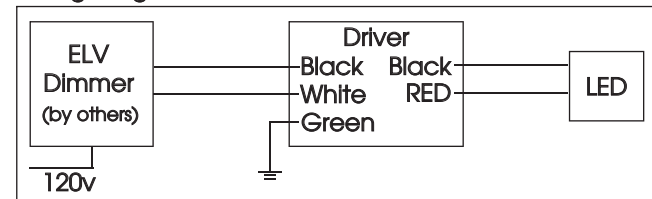
ELV - Electronic Low Voltage (Reverse Phase) DIMMING (standard)

Utilizes specialized "ELV" dimmers. Best for New Construction applications

Notes:

- 19W-120v only, 31W-120v or 277v
- Dims down to less than 5% light output (most cases)
- Consult Dimming manufacturer for installation instructions - DO NOT SHARE NEUTRALS!
- Must meet dimmer Minimum Load Requirements

Wiring Diagram



Compatible Dimmers

Wall Box (ELV Style)

Lutron "Diva"	Lutron "Vareo"
Lutron "Nova-T"	Lutron "Skylark"
Lutron "Maestro"	
Leviton "Surslide"	Leviton "Vizio"

Central System

ETC "SR" Rack w/ELV10 Module	ETC "DRD" Rack w/ELV10 Module
Lutron "GP" Panel with PHPM-PA Interface	Lutron Grafix Eye QS with PHPM-PA Interface