

# CLASSIX 6" LENSED DOWNLIGHT

## 6" ROUND LENSED DOWNLIGHT LED

CLX-RLD6  
LED

### APPLICATION:

Commercial & hospitality ambient lighting

### CONSTRUCTION:

20 ga. galvanized steel frame  
18 ga. galvanized steel splice housing and hanger brackets  
Passive cooling  
Extruded aluminum heat sink

### ELECTRICAL:

Electronic constant current LED driver, 120v or 277v input  
ELV & Triac dimming standard, 120v or 277v

**This product complies with IEEE C62.41 for surge endurance up to 2.5KV. Amerlux® recommends using additional surge protection with this unit (supplied by others), surge damage is not covered by warranty.**

### MOUNTING:

For use in T-grid or sheet rock ceilings  
Hanger bars included

### OPTICS:

Engineered nano technology lens provides transmission while concealing LED image  
Spun aluminum matte semi-diffuse aperture cone  
Very Wide Flood beam distribution

### LED:

Color Temp Options: 2700K, 3000K, 3500K, 4000K  
CRI: 83 typ. (2700K, 3000K, 3500K, 4000K)  
90+ typ. (2700K, 3000K)  
CrispWhite LED available  
R9 Values: 11 (83CRI), 55 (90+CRI)

Binning: 3 MacAdam

Life: 50,000 hrs

Lumen Maintenance: >70% of initial lumens @ 50,000 hrs  
Lumen Output (3000K): up to 3647 lm; 78.1 lpw

### LABELING:



Damp location



PROJECT:

TYPE:

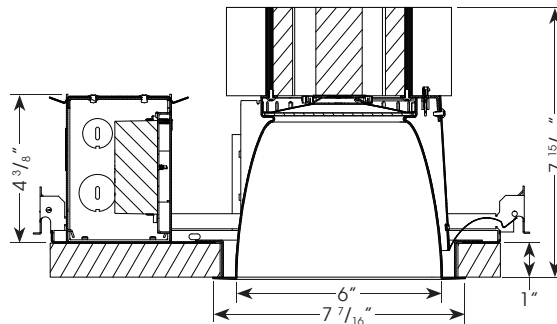
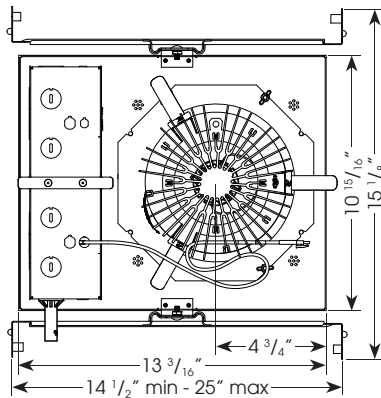


Electrostatic sensitive device,  
observe precautions for  
handling

Title 24  
Compliant

5 year limited  
warranty  
AMERLUX LED

(see website for details)



Ceiling Cut Out Dimension: 7" dia.

### ELECTRICAL

Electronic driver

	25w		34w		45w		52w	
	System Watts	Amps	Systems Watts	Amps	Systems Watts	Amps	Systems Watts	Amps
120v	25	0.21	34	0.28	45	0.38	52	0.43
277v	25	0.09	34	0.12	45	0.16	52	0.19

### ORDERING INFORMATION:

#### HOUSING:

Model	Wattage	Lamp Type	Voltage	Options
CLX-R6	25	LED	120	0-10V - 0-10v dimming
	34		277	HILUME - Lutron Hi-lume® dimming (25w & 34w only)
	45			DALI - DALI driver
	52			(25w, 34w, & 45w only)
				EM - emergency battery pack

#### REFLECTOR/LED OPTIC:

Model	Aperture Finish	Beam Spread	Color Temp (CCT(K)-CRI)
CLX-RLD6	Reflector with white painted flange	VWF - very wide flood	27 - 2700-83
	SDW - semi-diffuse white		30 - 3000-83
	Reflector with clear flange (flange finish matches cone finish)		35 - 3500-83
	SDC - semi-diffuse clear		40 - 4000-83
			279 - 2700-90+
			309 - 3000-90+
			CRISP - CrispWhite

Complete Unit Example: CLX-R6-34-LED-120/CLX-RLD6-SDW-VWF-30

Housing Example: CLX-R6-34-LED-120

Reflector Example: CLX-RLD6-SDW-VWF-30

Cat #:

Amerlux® reserves the right to change details that do not affect overall function and performance.

# CLASSIX 6" LENSED DOWNLIGHT

## 6" ROUND LENSED DOWNLIGHT LED

CLX-RLD6  
LED



TYPE:

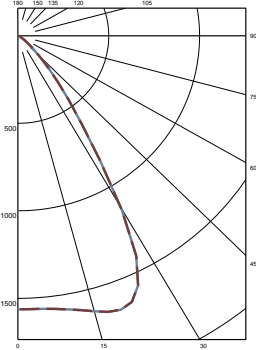


**FIXTURE DATA:** For 34W data, multiply by 52W data by 0.71; For 45W data, multiply 52W data by 0.90 Complete photometric data (ies format) available upon request.  
CCT Correction Factors: 2700-83 = 0.96; 3500-83 = 1.02; 4000-83 = 1.04; 2700-90+ = 0.80; 3000-90+ = 0.83; CRISP = 0.65

### 25W LED

1933 lm; 78.1 lpw  
SC: 1.16

LTL # 1031470

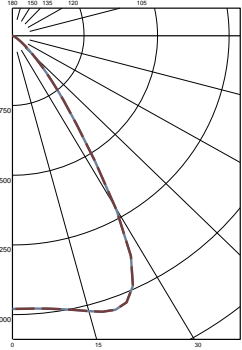


Candelas at Nadir	
Deg	Candela
0	1563
5	1566
15	1629
25	1573
35	617
45	181

### 52W LED

3647 lm; 70 lpw  
SC: 1.16

LTL # 1031468

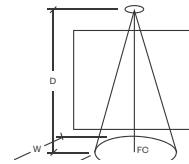


Candelas at Nadir	
Deg	Candela
0	2938
5	2945
15	3067
25	2969
35	1167
45	343

### APPLICATION DATA:

#### Notes and Definitions:

Beam spread is to 50% center beam candlepower (CBCP).  
D=Distance to floor or wall.  
FC=Footcandles on floor or wall at center beam aiming location.  
L=Effective Visual Beam length in feet (50% of maximum footcandle level).  
W=Effective Visual Beam width in feet (50% of maximum footcandle level).  
CB=Distance across or down to center beam location.



### 25W LED



0° Aiming Angle  
Horizontal  
Footcandles

D	FC	L	W
5.0'	63	5.6	5.6
7.5'	28	8.6	8.6
10.0'	16	11.4	11.4
12.5'	10	14.5	14.5

### 52W LED



0° Aiming Angle  
Horizontal  
Footcandles

D	FC	L	W
5.0'	118	5.6	5.6
7.5'	53	8.6	8.6
10.0'	30	11.4	11.4
12.5'	19	14.4	14.4

# CLASSIX 6" LENSED DOWNLIGHT

6" ROUND LENSED DOWNLIGHT LED

CLX-RLD6  
LED



TYPE:



## DIMMING COMPATIBILITY:

Amerlux® fixtures are compatible with all major dimming protocols prevalent in the United States. Please see below for general compatibilities and wiring diagrams. Amerlux recommends testing your unique dimming configuration as the exact full configuration (Dimmer, Fixture Quantity, Voltage, etc) may affect dimming performance.

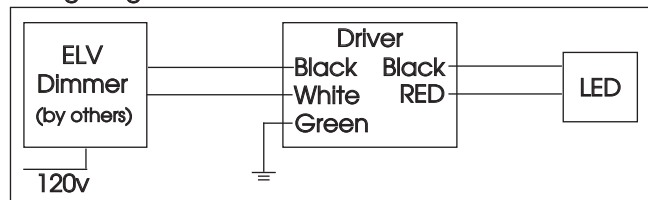
### ELV - Electronic Low Voltage (Reverse Phase) DIMMING (standard)

Utilizes specialized "ELV" dimmers. Best for New Construction applications

#### Notes:

- 120v or 277v
- Dims down to less than 5% light output (most cases)
- Consult Dimming manufacturer for installation Instructions - DO NOT SHARE NEUTRALS!
- Must meet dimmer Minimum Load Requirements

#### Wiring Diagram



#### Compatible Dimmers

##### Wall Box (ELV Style)

Lutron "Diva"  
Lutron "Nova-T"  
Lutron "Maestro"  
Leviton "Surslide"

Lutron "Vareo"  
Lutron "Skylark"  
  
Leviton "Vizio"

##### Central System

ETC "SR" Rack w/ELV10 Module  
Lutron "GP" Panel with PHPM-PA Interface

ETC "DRD" Rack w/ELV10 Module  
Lutron Grafix Eye QS with PHPM-PA Interface

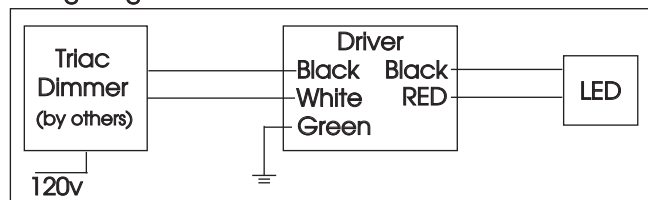
### TRIAC (Forward Phase) DIMMING (standard)

Utilizes "Standard" incandescent dimmers that are in wide use in installations across the US. Best for retrofit applications where Triac dimmers are installed.

#### Notes:

- 120v or 277v
- Dims down to less than 5% light output (most cases)
- Consult Dimming manufacturer for installation Instructions - DO NOT SHARE NEUTRALS!
- Must meet dimmer Minimum Load Requirements per dimming manufacturer

#### Wiring Diagram



#### Compatible Dimmers

##### Wall Box (Incandescent Style, Wattage as required)

Lutron "Diva"  
Lutron "Nova-T"  
Lutron "Maestro"

Lutron "Vareo"  
Lutron "Skylark"

##### Central System

ETC "SR" Rack w/D20 Module  
Lutron "GP" Panel

ETC "DRD" Rack w/D20 Module  
Lutron Grafix Eye QS

# CLASSIX 6" LENSED DOWNLIGHT

6" ROUND LENSED DOWNLIGHT LED

CLX-RLD6  
LED



TYPE:



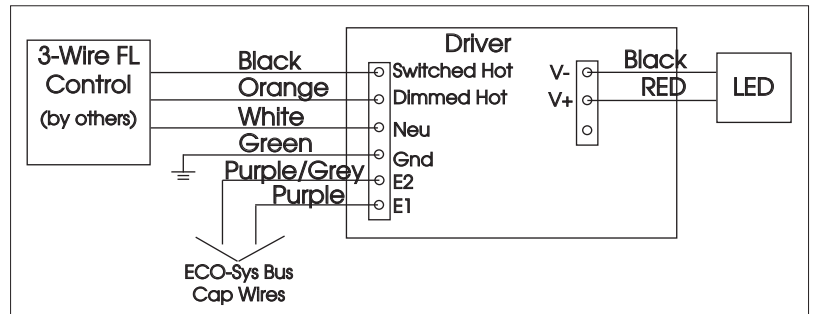
## LUTRON HI-LUME / ECO-SYSTEM (-HILUME Option)

Integrates into a variety of building management and daylighting controls

### Notes:

- 120v or 277v
- Dims down to less than 5% light output
- May use 3-Wire or Ecosystem Control
- Consult Dimming manufacturer for installation instructions - DO NOT SHARE NEUTRALS!

### 3-Wire Wiring Diagram



### Compatible Dimmers

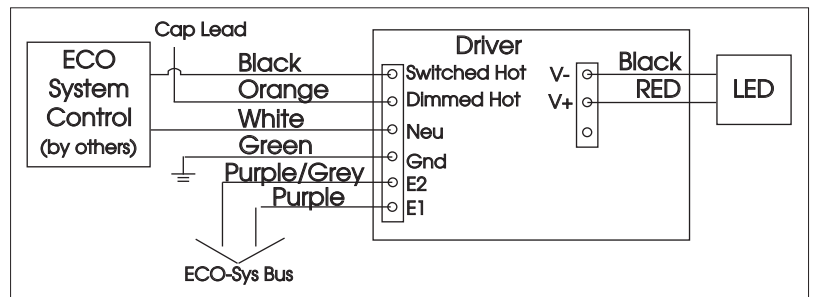
#### Wall Box (3-Wire Fluorescent)

DIVA  
Maestro  
Nova T  
Vareo

#### Central System

Lutron ECO-System compatible controls  
ETC "SR" Rack w/D20F Module  
ETC "DRD" Rack w/D20F Module

### ECO System Digital Control Wiring



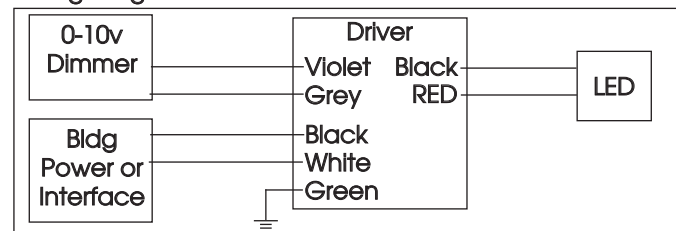
## 0-10V - DIMMING (-0-10V Option)

Integrates into a variety of building management and daylighting controls

### Notes:

- 120v - 277v
- Dims down to 1% light output
- Requires interface to turn off power to driver
- Consult Dimming manufacturer for installation instructions - DO NOT SHARE NEUTRALS!

### Wiring Diagram



### Compatible Dimmers

#### Wall Box

Lutron "Diva" - DTV with PP-120H Interface

Leviton Renoir II 0-10v

#### Central System

Lutron Grafix Eye with GRX-TVI Interface