

CYLINDRIX® III MINI

MULTIPLE SEMI-RECESSED 4 LIGHT LED

APPLICATION:

Accent and display lighting for retail, commercial and hospitality environments

CONSTRUCTION:

Stamped steel mounting frame with integral mounting bars
Thermally protected
Steel driver housing
Steel upper housing and laser cut trim ring
Complete die-cast optical head construction
Powder coat paint

MOUNTING:

For use in T-grid or sheetrock ceilings, max thickness 1" standard, consult factory for thicker ceilings

LABELING:



For indoor use only

OPTICS:

0-40° x 40° tilt, 360°+ rotation
Available in a variety of beam spreads
LED:
Color Temp Options: 2200K, 2700K, 3000K, 3500K, 4000K
CRI: 83 typ. (2700K, 3000K, 3500K, 4000K)
90+ typ. (2200K, 2700K, 3000K, 3500K)
CrispWhite LED available
R9 Values: 11 (83CRI), 55 (90+CRI)
Binning: 3 MacAdam
Lumen Maintenance: >70% of initial lumens @ 50,000 hrs
Lumen Output per head (21w, 3K): 1850 lm (89.6 lpw)
CBCP per head (21w, 3K): SP 13,578

ELECTRICAL:

Electronic constant current LED driver, 120v - 277v input
ELV and Triac dimming standard, 120v & 277v.
0-10v and Lutron systems also available. See following pages for more information.

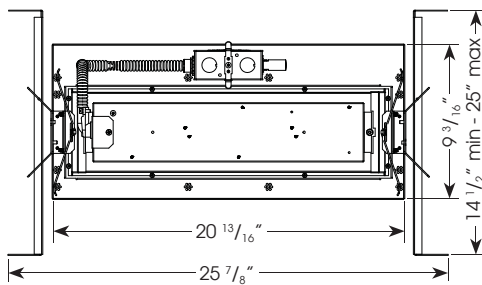
This product complies with IEEE C62.41 for surge endurance up to 2.5KV. Amerlux® recommends using additional surge protection with this unit (supplied by others), surge damage is not covered by warranty.

C3MSR-4
4LT LED

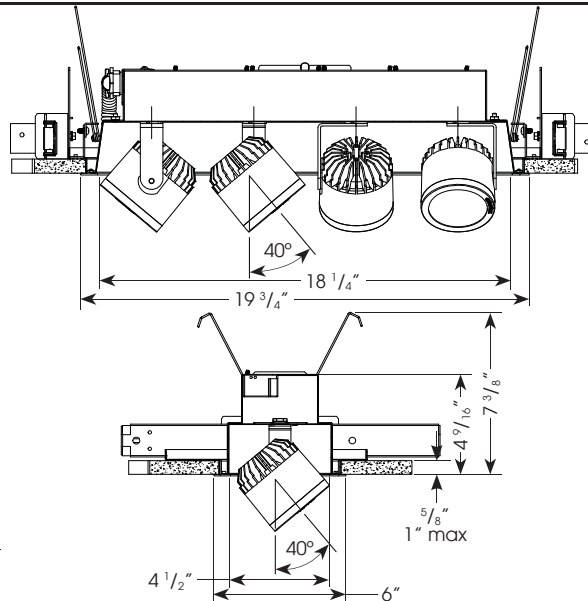


PROJECT:

TYPE:



Ceiling Cut Out Dimension: 5 9/16" x 19 9/16"




Electrostatic sensitive device,
observe precautions for
handling

ELECTRICAL

Electronic driver

| | 4x15w | | 4x18w | | 4x21w | |
|------|--------------|------|--------------|------|--------------|------|
| | System Watts | Amps | System Watts | Amps | System Watts | Amps |
| 120v | 60 | 0.50 | 72 | 0.60 | 84 | 0.70 |
| 277v | 60 | 0.22 | 72 | 0.26 | 84 | 0.30 |

5 year limited
warranty
AMERLUX LED
(see website for details)

ORDERING INFORMATION:

| FRAME Model | # Heads | Lamp Type | Voltage | Options/Accessories |
|---------------|---------|-----------|------------|--|
| C3MR/SR-FRAME | 4 | LED | 120 277 | 0-10V - 0-10v dimming HILUME - Lutron Hi-lume® dimming DALI - DALI dimming EM* - emergency battery pack (1 head) CP - Chicago plenum |

Complete Unit Specification:

C3MR/SR-FRAME-4-LED-120/C3MSR-TRIM-4-21-LED-WT-120-277-SP-SP-SP-WT-30

Frame Only: C3MR/SR-FRAME-4-LED-120

Trim Only: C3MSR-TRIM-4-21-LED-WT-120-277-SP-SP-SP-WT-30

| TRIM Model | # Heads | Wattage | Lamp Type | Housing/Head Finish | Voltage | Beam Spreads* Head 1 Head 2 Head 3 Head 4 | Trim Finish | Color Temp (CCT-CRI) | Options/Accessories |
|------------|---------|----------|-----------|--|---------|--|--|---|---|
| C3MSR-TRIM | 4 | 15 21 | LED | WT - white texture BT - black texture ST - silver texture - (other RAL) | 120-277 | SP SP SP SP VNF VNF VNF VNF NF NF NF NF FL FL FL FL WF WF WF WF VNSP** VNSP** VNSP** VNSP** | WT - white texture BT - black texture ST - silver texture | 27 - 2700-83 30 - 3000-83 35 - 3500-83 40 - 4000-83 229 - 2200-90+ 279 - 2700-90+ 309 - 3000-90+ 359 - 3500-90+ 409 - 4000-90+ 3CLA - 3K Class A CRISP - CrispWhite (not for VNSP) | SN- snoot, 1" w/black matte interior standard HEX - hexcell louver LS - linear spread CB - cross blade, matte black, requires snoot SOL - solite beam softening lens 0-10V - 0-10v dimming HILUME - Lutron Hi-lume® dimming DALI - DALI driver EM - emergency battery pack (1 head) CP - Chicago plenum |

*EM is not for CP option

** (18w only)
*SP - spot 14°, VNF - very narrow flood 18°, NF - narrow flood 23°,
FL - flood 34°, WF - wide flood 44°, VNSP - very narrow spot 8°

Cat #:

Amerlux reserves the right to change details that do not affect overall function and performance.



CYLINDRIX® III MINI

MULTIPLE SEMI-RECESSED 4 LIGHT LED

C3MSR-4
4LT LED



TYPE:



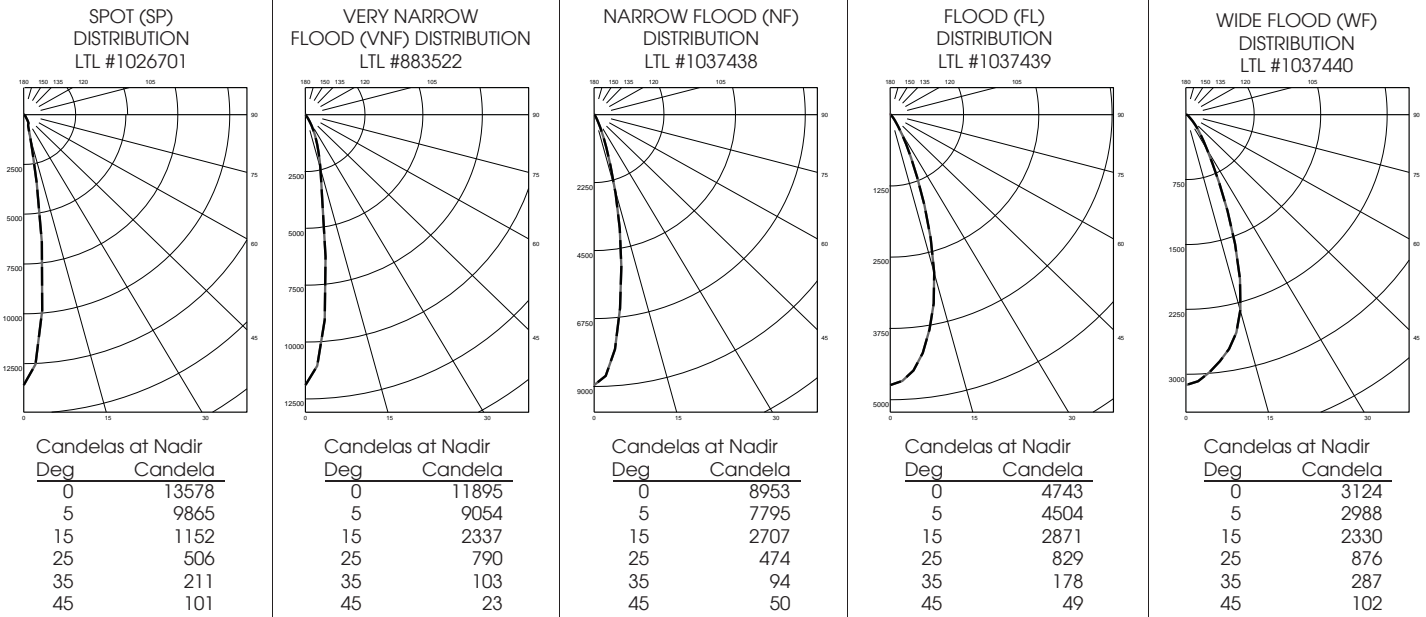
FIXTURE DATA: For 15W data, multiply by 0.71; For 18W data see next page

Complete photometric data (ies format) available upon request.

CCT Correction Factors: 2700-83 = 0.96; 3500-83 = 1.02; 4000-83 = 1.04; 2200-90+ = 0.71; 2700-90+ = 0.80; 3000-90+ = 0.83; 3500-90+ = 0.87; Crisp = 0.65

21W LED (3000K)

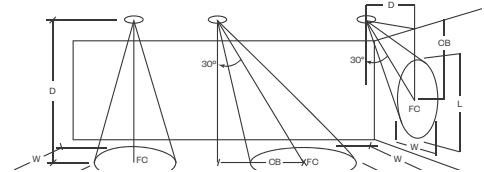
Note: Data per head



APPLICATION DATA:

Notes and Definitions:

Beam spread is to 50% center beam candlepower (CBCP).
 D=Distance to floor or wall.
 FC=Footcandles on floor or wall at center beam aiming location.
 L=Effective Visual Beam length in feet (50% of maximum footcandle level).
 W=Effective Visual Beam width in feet (50% of maximum footcandle level).
 CB=Distance across or down to center beam location.



| | 0° Aiming Angle Horizontal Footcandles | | | | 30° Aiming Angle Horizontal Footcandles | | | | 30° Aiming Angle Vertical Footcandles | | | | 60° Aiming Angle Vertical Footcandles | | | | | | | | | | | | | | | | | | | | | |
|-------------------|--|-----|-----|-----|---|-----|-----|-----|---------------------------------------|------|-----|-----|---------------------------------------|-----|------|-----|-----|-----|-----|------|-----|-----|-----|-----|------|-----|-----|-----|-----|------|-----|-----|-----|-----|
| | D | FC | L | W | D | FC | L | W | CB | D | FC | L | W | CB | D | FC | L | W | CB | | | | | | | | | | | | | | | |
| SPOT | 5.0' | 540 | 1.2 | 1.2 | 5.0' | 348 | 1.6 | 1.4 | 3.0 | 3.0' | 200 | 2.8 | 1.4 | 5.0 | 3.0' | 726 | 1.3 | 1.1 | 2.0 | 4.0' | 518 | 1.5 | 1.2 | 2.0 | 5.0' | 334 | 1.8 | 1.3 | 3.0 | 6.0' | 230 | 2.2 | 1.6 | 3.0 |
| | 7.5' | 241 | 1.8 | 1.8 | 7.5' | 155 | 2.5 | 2.2 | 4.0 | 4.0' | 121 | 3.5 | 1.8 | 6.0 | 4.0' | 518 | 1.5 | 1.2 | 2.0 | 5.0' | 334 | 1.8 | 1.3 | 3.0 | 6.0' | 230 | 2.2 | 1.6 | 3.0 | | | | | |
| | 10.0' | 136 | 2.6 | 2.6 | 10.0' | 85 | 3.4 | 3.0 | 6.0 | 5.0' | 77 | 4.3 | 2.5 | 8.0 | 5.0' | 334 | 1.8 | 1.3 | 3.0 | 6.0' | 230 | 2.2 | 1.6 | 3.0 | | | | | | | | | | |
| | 12.5' | 87 | 3.2 | 3.2 | 12.5' | 57 | 4.2 | 3.6 | 7.0 | 6.0' | 54 | 5.2 | 2.9 | 9.0 | 6.0' | 230 | 2.2 | 1.6 | 3.0 | | | | | | | | | | | | | | | |
| VERY NARROW FLOOD | 5.0' | 473 | 1.4 | 1.4 | 5.0' | 305 | 1.9 | 1.5 | 3.0 | 3.0' | 176 | 3.4 | 1.5 | 5.0 | 3.0' | 651 | 1.6 | 1.2 | 2.0 | 4.0' | 462 | 1.6 | 1.3 | 2.0 | 5.0' | 293 | 2.0 | 1.5 | 3.0 | 6.0' | 206 | 2.4 | 1.8 | 3.0 |
| | 7.5' | 211 | 2.1 | 2.1 | 7.5' | 136 | 2.9 | 2.5 | 4.0 | 4.0' | 108 | 4.1 | 2.0 | 6.0 | 4.0' | 462 | 1.6 | 1.3 | 2.0 | 5.0' | 293 | 2.0 | 1.5 | 3.0 | 6.0' | 206 | 2.4 | 1.8 | 3.0 | | | | | |
| | 10.0' | 119 | 2.9 | 2.9 | 10.0' | 75 | 3.8 | 3.3 | 6.0 | 5.0' | 67 | 5.3 | 2.8 | 8.0 | 5.0' | 293 | 2.0 | 1.5 | 3.0 | 6.0' | 206 | 2.4 | 1.8 | 3.0 | | | | | | | | | | |
| | 12.5' | 76 | 3.5 | 3.5 | 12.5' | 50 | 4.7 | 3.9 | 7.0 | 6.0' | 49 | 6.3 | 3.2 | 9.0 | 6.0' | 206 | 2.4 | 1.8 | 3.0 | | | | | | | | | | | | | | | |
| NARROW FLOOD | 5.0' | 358 | 1.9 | 1.9 | 5.0' | 257 | 2.4 | 2.1 | 3.0 | 3.0' | 181 | 3.2 | 1.8 | 4.0 | 3.0' | 620 | 1.9 | 1.2 | 2.0 | 4.0' | 426 | 1.9 | 1.5 | 2.0 | 5.0' | 249 | 2.5 | 2.2 | 3.0 | 6.0' | 182 | 2.9 | 2.6 | 3.0 |
| | 7.5' | 159 | 2.9 | 2.9 | 7.5' | 115 | 3.5 | 3.2 | 4.0 | 4.0' | 96 | 4.4 | 2.8 | 6.0 | 4.0' | 426 | 1.9 | 1.5 | 2.0 | 5.0' | 249 | 2.5 | 2.2 | 3.0 | 6.0' | 182 | 2.9 | 2.6 | 3.0 | | | | | |
| | 10.0' | 90 | 3.8 | 3.8 | 10.0' | 63 | 4.8 | 4.2 | 5.0 | 5.0' | 63 | 5.3 | 3.3 | 7.0 | 5.0' | 249 | 2.5 | 2.2 | 3.0 | 6.0' | 182 | 2.9 | 2.6 | 3.0 | | | | | | | | | | |
| | 12.5' | 58 | 4.8 | 4.8 | 12.5' | 40 | 6.1 | 5.4 | 7.0 | 6.0' | 43 | 6.7 | 4.0 | 8.0 | 6.0' | 182 | 2.9 | 2.6 | 3.0 | | | | | | | | | | | | | | | |
| FLOOD | 5.0' | 190 | 2.9 | 2.9 | 5.0' | 130 | 3.5 | 3.1 | 2.0 | 3.0' | 113 | 3.4 | 2.7 | 3.0 | 3.0' | 340 | 2.3 | 1.8 | 1.0 | 4.0' | 208 | 2.8 | 2.6 | 2.0 | 5.0' | 133 | 3.5 | 3.1 | 2.0 | 6.0' | 93 | 4.1 | 3.8 | 3.0 |
| | 7.5' | 85 | 4.3 | 4.3 | 7.5' | 58 | 5.2 | 4.8 | 3.0 | 4.0' | 64 | 4.6 | 3.5 | 4.0 | 4.0' | 208 | 2.8 | 2.6 | 2.0 | 5.0' | 133 | 3.5 | 3.1 | 2.0 | 6.0' | 93 | 4.1 | 3.8 | 3.0 | | | | | |
| | 10.0' | 48 | 5.7 | 5.7 | 10.0' | 34 | 6.8 | 6.4 | 5.0 | 5.0' | 41 | 5.8 | 4.4 | 5.0 | 5.0' | 133 | 3.5 | 3.1 | 2.0 | 6.0' | 93 | 4.1 | 3.8 | 3.0 | | | | | | | | | | |
| | 12.5' | 31 | 7.2 | 7.2 | 12.5' | 22 | 8.5 | 8.0 | 6.0 | 6.0' | 29 | 7.0 | 5.2 | 7.0 | 6.0' | 93 | 4.1 | 3.8 | 3.0 | | | | | | | | | | | | | | | |
| WIDE FLOOD | 5.0' | 125 | 3.3 | 3.3 | 5.0' | 92 | 3.9 | 3.5 | 2.0 | 3.0' | 92 | 3.2 | 2.7 | 3.0 | 3.0' | 254 | 2.3 | 2.0 | 1.0 | 4.0' | 138 | 3.2 | 3.0 | 2.0 | 5.0' | 93 | 3.9 | 3.5 | 2.0 | 6.0' | 64 | 4.7 | 4.5 | 2.0 |
| | 7.5' | 56 | 5.0 | 5.0 | 7.5' | 41 | 5.6 | 5.4 | 3.0 | 4.0' | 52 | 4.3 | 3.6 | 4.0 | 4.0' | 138 | 3.2 | 3.0 | 2.0 | 5.0' | 93 | 3.9 | 3.5 | 2.0 | 6.0' | 64 | 4.7 | 4.5 | 2.0 | | | | | |
| | 10.0' | 32 | 6.7 | 6.7 | 10.0' | 23 | 7.6 | 7.3 | 4.0 | 5.0' | 34 | 5.3 | 4.6 | 5.0 | 5.0' | 93 | 3.9 | 3.5 | 2.0 | 6.0' | 64 | 4.7 | 4.5 | 2.0 | | | | | | | | | | |
| | 12.5' | 20 | 8.5 | 8.5 | 12.5' | 15 | 9.6 | 9.2 | 5.0 | 6.0' | 23 | 6.5 | 5.5 | 6.0 | 6.0' | 64 | 4.7 | 4.5 | 2.0 | | | | | | | | | | | | | | | |

CYLINDRIX® III MINI

MULTIPLE SEMI-RECESSED 4 LIGHT LED

C3MSR-4
4LT LED



TYPE:



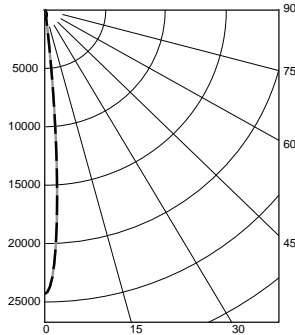
FIXTURE DATA:

Complete photometric data (ies format) available upon request.

CCT Correction Factors: 2700-83 = 0.96; 3500-83 = 1.02; 4000-83 = 1.04; 2200-90+ = 0.71; 2700-90+ = 0.80; 3000-90+ = 0.83; 3500-90+ = 0.87; Crisp = 0.65

18W LED (3000K-83) Note: Data per head

VERY NARROW SPOT (VNSP)
DISTRIBUTION
LTL #1170140

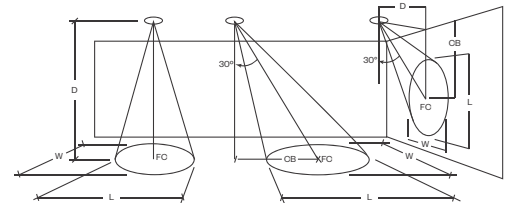


| Candelas at Nadir | Deg | Candela |
|-------------------|-----|---------|
| | 0 | 24308 |
| | 5 | 8980 |
| | 15 | 527 |
| | 25 | 394 |
| | 35 | 131 |
| | 45 | 57 |

APPLICATION DATA:

Notes and Definitions:

Beam spread is to 50% center beam candlepower (CBCP).
 D=Distance to floor or wall.
 FC=Footcandles on floor or wall at center beam aiming location.
 L=Effective Visual Beam length in feet (50% of maximum footcandle level).
 W=Effective Visual Beam width in feet (50% of maximum footcandle level).
 CB=Distance across or down to center beam location.



0° Aiming Angle
Horizontal
Footcandles



30° Aiming Angle
Horizontal
Footcandles



30° Aiming Angle
Vertical
Footcandles



60° Aiming Angle
Vertical
Footcandles

| VERY NARROW SPOT | 0° Aiming Angle Horizontal Footcandles | | | | 30° Aiming Angle Horizontal Footcandles | | | | | 30° Aiming Angle Vertical Footcandles | | | | | 60° Aiming Angle Vertical Footcandles | | | | |
|------------------|--|-----|-----|-----|---|-----|-----|-----|-----|---------------------------------------|-----|-----|-----|------|---------------------------------------|-----|-----|-----|-----|
| | D | FC | L | W | D | FC | L | W | CB | D | FC | L | W | CB | D | FC | L | W | CB |
| | 5.0' | 967 | 1.0 | 1.0 | 5.0' | 624 | 1.0 | 1.0 | 3.0 | 3.0' | 360 | 1.5 | 1.0 | 5.0 | 3.0' | 983 | 1.0 | 1.0 | 2.0 |
| | 7.5' | 431 | 1.1 | 1.1 | 7.5' | 251 | 1.8 | 1.1 | 4.0 | 4.0' | 185 | 2.4 | 1.1 | 7.0 | 4.0' | 729 | 1.1 | 1.0 | 2.0 |
| | 10.0' | 243 | 1.3 | 1.3 | 10.0' | 153 | 2.1 | 1.6 | 6.0 | 5.0' | 129 | 2.7 | 1.2 | 8.0 | 5.0' | 600 | 1.1 | 1.0 | 3.0 |
| | 12.5' | 156 | 1.8 | 1.8 | 12.5' | 102 | 2.4 | 2.2 | 7.0 | 6.0' | 90 | 3.3 | 1.6 | 10.0 | 6.0' | 325 | 1.9 | 1.0 | 3.0 |

CYLINDRIX® III MINI

MULTIPLE SEMI-RECESSED 4 LIGHT LED

C3MSR-4
4LT LED



TYPE:



DIMMING COMPATIBILITY:

Amerlux® fixtures are compatible with all major dimming protocols prevalent in the United States. Please see below for general compatibilities and wiring diagrams. Amerlux recommends testing your unique dimming configuration as the exact full configuration (Dimmer, Fixture Quantity, Voltage, etc) may affect dimming performance.

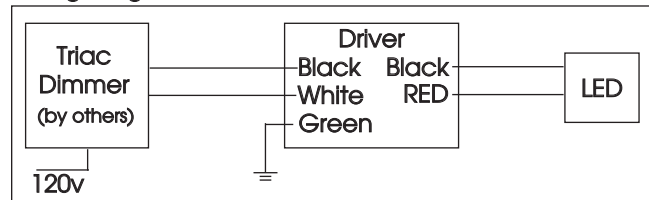
TRIAC (Forward Phase) DIMMING (standard)

Utilizes "Standard" incandescent dimmers that are in wide use in installations across the US. Best for retrofit applications where Triac dimmers are installed.

Notes:

- 120v & 277v
- Dims down to less than 5% light output (most cases)
- Consult Dimming manufacturer for installation instructions - DO NOT SHARE NEUTRALS!
- Must meet dimmer Minimum Load Requirements per dimming manufacturer

Wiring Diagram



Compatible Dimmers

Wall Box (Incandescent Style, Wattage as required)

Lutron "Diva"
Lutron "Nova-T"
Lutron "Maestro"

Lutron "Vareo"
Lutron "Skylark"

Central System

ETC "SR" Rack w/D20 Module
Lutron "GP" Panel

ETC "DRD" Rack w/D20 Module
Lutron Grafix Eye QS

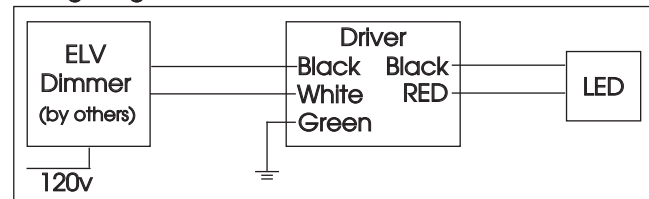
ELV - Electronic Low Voltage (Reverse Phase) DIMMING (standard)

Utilizes specialized "ELV" dimmers. Best for New Construction applications

Notes:

- 120v & 277v
- Dims down to less than 5% light output (most cases)
- Consult Dimming manufacturer for installation instructions - DO NOT SHARE NEUTRALS!
- Must meet dimmer Minimum Load Requirements

Wiring Diagram



Compatible Dimmers

Wall Box (ELV Style)

Lutron "Diva"
Lutron "Nova-T"
Lutron "Maestro"
Leviton "Surslide"

Lutron "Vareo"
Lutron "Skylark"
Leviton "Vizio"

Central System

ETC "SR" Rack w/ELV10 Module
Lutron "GP" Panel with PHPM-PA Interface

ETC "DRD" Rack w/ELV10 Module
Lutron Grafix Eye QS with PHPM-PA Interface

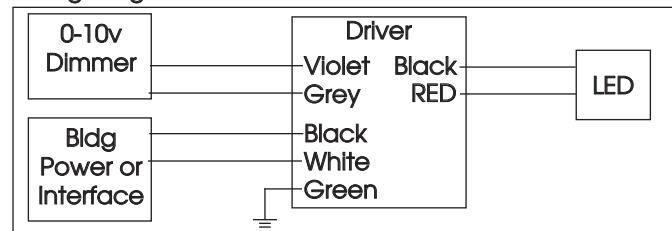
0-10V - DIMMING (-0-10V Option)

Integrates into a variety of building management and daylighting controls

Notes:

- 120v - 277v
- Dims down to less than 10% light output
- Requires interface to turn off power to driver
- Consult Dimming manufacturer for installation instructions - DO NOT SHARE NEUTRALS!

Wiring Diagram



Compatible Dimmers

Wall Box

Lutron "Diva" - DVTV with PP-120H Interface

Leviton Renoir II 0-10v

Central System

Lutron Grafix Eye with GRX-TVI Interface

CYLINDRIX® III MINI

MULTIPLE SEMI-RECESSED 4 LIGHT LED

C3MSR-4
4LT LED



TYPE:



LUTRON HI-LUME / ECO-SYSTEM (-HILUME Option)

Integrates into a variety of building management and daylighting controls

Notes:

- 120v or 277v
- Dims down to less than 5% light output
- May use 3-Wire or Ecosystem Control
- Consult Dimming manufacturer for installation instructions - DO NOT SHARE NEUTRALS!

Compatible Dimmers

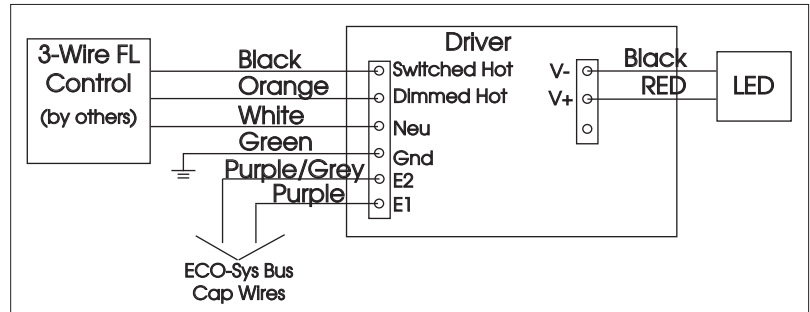
Wall Box (3-Wire Fluorescent)

DIVA
Maestro
Nova T
Vareo

Central System

Lutron ECO-System compatible controls
ETC "SR" Rack w/D20F Module
ETC "DRD" Rack w/D20F Module

3-Wire Wiring Diagram



ECO System Digital Control Wiring

