

VELATO®

RECESSED SLOT ADJUSTABLE MULTIPLE 3 LIGHT LED

VEL-HHP-3-SA
3LT LED

APPLICATION:

Accent and display lighting for retail, commercial and hospitality environments

CONSTRUCTION:

Stamped steel mounting frame with integral mounting bars
Thermally protected
Steel driver housing
Extruded aluminum upper housing
Complete die-cast optical head construction
No exposed wiring
Powder coat paint

OPTICS:

30° tilt, 360° rotation
Available in a variety of beam spreads
LED:
Color Temp Options: 2200K, 2700K, 3000K, 3500K, 4000K
CRI: 83 typ. (2700K, 3000K, 3500K, 4000K)
90+ typ. (2200K, 2700K, 3000K)
CrispWhite LED available (16w max)
R9 Values: 11 (83CRI), 55 (90+CRI)
Life: 50,000 hrs
Binning: 3 MacAdam
Lumen Maintenance: >70% of initial lumens @ 50,000 hrs

MOUNTING:

For use in grid or sheet rock ceilings, max thickness 1"

LABELING:



For indoor use only

ELECTRICAL:

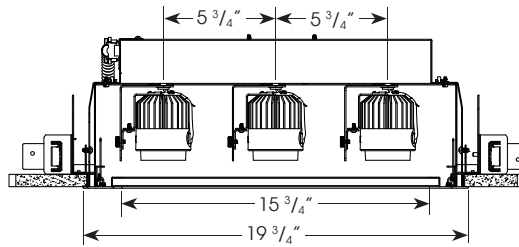
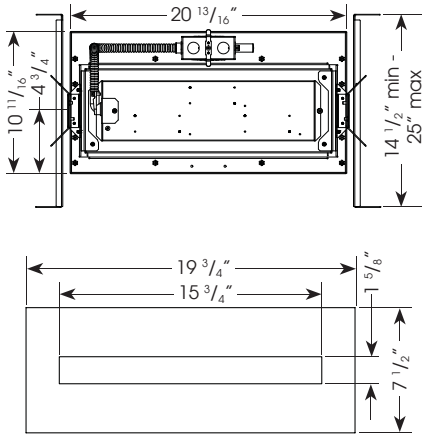
Electronic constant current LED driver, 120v or 277v input
ELV and Triac dimming standard, 120v or 277v.
See following pages for more information.
This product complies with IEEE C62.41 for surge endurance up to 2.5KV. Amerlux recommends using additional surge protection with this unit (supplied by others), surge damage is not covered by warranty.

PROJECT:

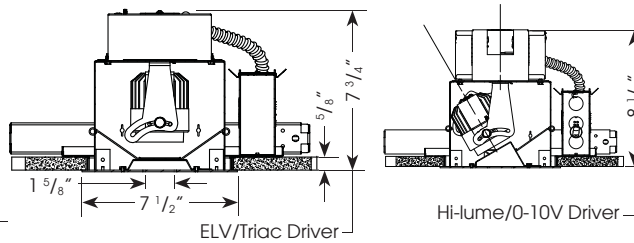
TYPE:



Electrostatic sensitive device,
observe precautions for
handling



Ceiling Cut Out Dimension: 7 1/8" x 19 3/8"



ELV/Triac Driver

Hi-lume/0-10V Driver

ELECTRICAL

Electronic driver

	3x11w		3x16w		3x18w	
	System Watts	Amps	System Watts	Amps	System Watts	Amps
120v	33	0.28	48	0.40	54	0.45
277v	33	0.12	48	0.17	54	0.19

ORDERING INFORMATION:

FRAME Model	# Heads	Lamp Type	Voltage	Options/Accessories
VEL-FRAME	3	LED	120 277	0-10V - 0-10v dimming HILUME-DH - (see description below) HILUME-ECO - (see description below) DALI - DALI driver CP - Chicago plenum (CCEA)

Complete Unit Specification:
VEL-FRAME-2-LED-120/VEL-HHP-TRIM-3-SA-18-LED-120-277-SP-SP-MW-30
Frame Only: VEL-FRAME-3-LED-120
Trim Only: VEL-HHP-TRIM-3-SA-18-LED-120-277-SP-SP-MW-30

TRIM Model	# Heads	Concealed Type	Wattage	Lamp Type	Voltage	Beam Spreads Hd 1 Hd 2 Hd 3	Faceplate Finish	Color Temp (CCT(K)-CRI)	Options/Accessories
VEL-HHP-TRIM	3	SA - slot adjustable	11 16 18	LED	120-277	SP SP SP NF NF NF MFL MFL MFL FL FL FL WF WF WF VWF VWF VWF LS LS LS	MW - matte white	27 - 2700-83 30 - 3000-83 35 - 3500-83 40 - 4000-83 229 - 2200-90+ 279 - 2700-90+ 309 - 3000-90+ CRISP - CrispWhite (16W max)	AH - accessory holder, black texture, accepts 2 forms of media HEX - hexcell louver (1/8" x 1/8"), requires AH 0-10V - 0-10v dimming HILUME-DH - Lutron Hi-lume® 3 wire, 1% dim HILUME-ECO - Lutron Hi-lume® EcoSystem, 1% dim DALI - DALI driver CP - Chicago plenum (CCEA)

*SP - spot 15°, NF - narrow flood 22°, MFL - medium flood 25°, FL - flood 28°, WF - wide flood 45°, VWF - very wide flood 60°, LS - linear spread 60°x10°

Cat #:

Amerlux reserves the right to change details that do not affect overall function and performance.



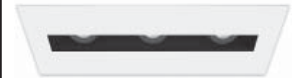
VELATO®

RECESSED SLOT ADJUSTABLE MULTIPLE 3 LIGHT LED

VEL-HHP-3-SA
3LT LED



TYPE:



DIMMING COMPATIBILITY:

Amerlux® fixtures are compatible with all major dimming protocols prevalent in the United States. Please see below for general compatibilities and wiring diagrams. Amerlux recommends testing your unique dimming configuration as the exact full configuration (Dimmer, Fixture Quantity, Voltage, etc) may affect dimming performance.

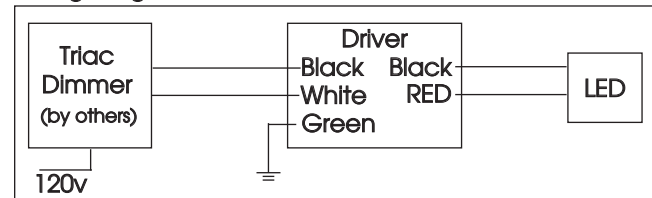
TRIAC (Forward Phase) DIMMING (standard)

Utilizes "Standard" incandescent dimmers that are in wide use in installations across the US. Best for retrofit applications where Triac dimmers are installed.

Notes:

- 120v or 277v
- Dims down to less than 5% light output (most cases)
- Consult Dimming manufacturer for installation instructions - DO NOT SHARE NEUTRALS!
- Must meet dimmer Minimum Load Requirements per dimming manufacturer

Wiring Diagram



Compatible Dimmers

Wall Box (Incandescent Style, Wattage as required)

Lutron "Diva"	Lutron "Vareo"
Lutron "Nova-T"	Lutron "Skylark"
Lutron "Maestro"	

Central System

ETC "SR" Rack w/D20 Module	ETC "DRD" Rack w/D20 Module
Lutron "GP" Panel	Lutron Grafix Eye QS

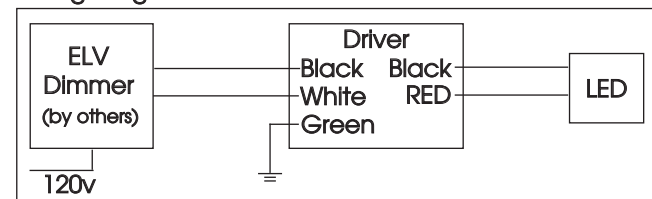
ELV - Electronic Low Voltage (Reverse Phase) DIMMING (standard)

Utilizes specialized "ELV" dimmers. Best for New Construction applications

Notes:

- 120v or 277v
- Dims down to less than 5% light output (most cases)
- Consult Dimming manufacturer for installation instructions - DO NOT SHARE NEUTRALS!
- Must meet dimmer Minimum Load Requirements

Wiring Diagram



Compatible Dimmers

Wall Box (ELV Style)

Lutron "Diva"	Lutron "Vareo"
Lutron "Nova-T"	Lutron "Skylark"
Lutron "Maestro"	
Leviton "Surslide"	Leviton "Vizio"

Central System

ETC "SR" Rack w/ELV10 Module	ETC "DRD" Rack w/ELV10 Module
Lutron "GP" Panel with PHPM-PA Interface	Lutron Grafix Eye QS with PHPM-PA Interface

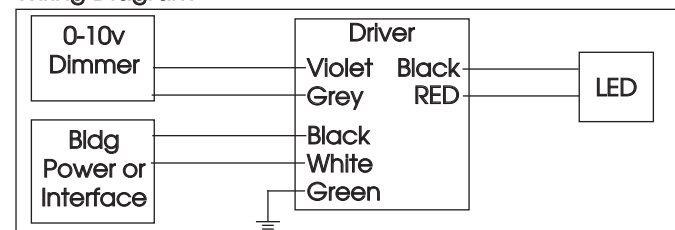
0-10V - DIMMING (-0-10V Option)

Integrates into a variety of building management and daylighting controls

Notes:

- 120v - 277v
- Dims down to less than 10% light output
- Requires interface to turn off power to driver
- Consult Dimming manufacturer for installation instructions - DO NOT SHARE NEUTRALS!

Wiring Diagram



Compatible Dimmers

Wall Box

Lutron "Diva" - DVTV with PP-120H Interface	Leviton Renoir II 0-10v
---	-------------------------

Central System

Lutron Grafix Eye with GRX-TVI Interface
--

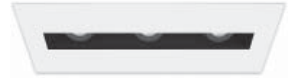
VELATO®

RECESSED SLOT ADJUSTABLE MULTIPLE 3 LIGHT LED

VEL-HHP-3-SA
3LT LED



TYPE:



LUTRON HI-LUME / ECO-SYSTEM (-HILUME Option)

Integrates into a variety of building management and daylighting controls

Notes:

- 120v or 277v
- Dims down to less than 5% light output
- May use 3-Wire or Ecosystem Control
- Consult Dimming manufacturer for installation instructions - DO NOT SHARE NEUTRALS!

Compatible Dimmers

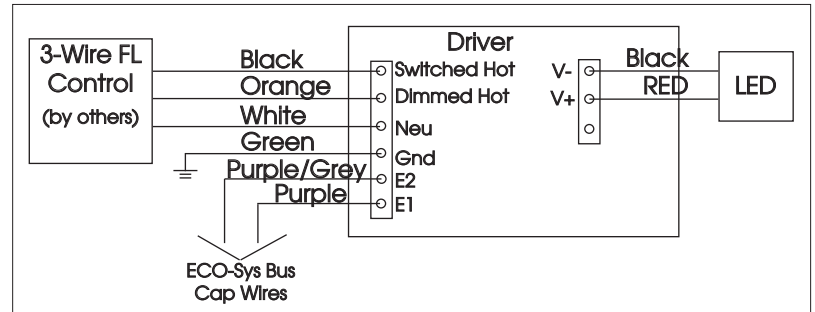
Wall Box (3-Wire Fluorescent)

DIVA
Maestro
Nova T
Vareo

Central System

Lutron ECO-System compatible controls
ETC "SR" Rack w/D20F Module
ETC "DRD" Rack w/D20F Module

3-Wire Wiring Diagram



ECO System Digital Control Wiring

