

EVOKE®

4.75" SQUARE DOWNLIGHT LED

APPLICATIONS:

Retail and commercial ambient lighting

CONSTRUCTION:

20 ga. steel painted matte black
Formed aperture plate with $\frac{5}{16}$ " lip
Integral adjustable locking mounting bars
Thermally protected
Die-cast lamp housing and heat sink

REFLECTOR CONSTRUCTION:

Die-cast aluminum seamless self-flanged trim
Painted finishes include matte white, matte black and matte silver with matte white flange
Steel mounting ring with spring clip

ELECTRICAL:

Electronic constant current LED driver, 120v or 277v input
ELV or Triac dimming standard, 120v or 277v

0-10V, Lutron dimming and DALI driver options available

This product complies with IEEE C62.41 for surge endurance up to 2.5KV. Amerlux® recommends using additional surge protection with this unit (supplied by others), surge damage is not covered by warranty.

OPTICS:

LED cluster:

Color Temp: 2200K, 2700K, 3000K, 3500K, 4000K

CRI: 83 (2700K, 3000K, 3500K, 4000K)

90+ (2200K, 2700K, 3000K, 3500K)

R9 Value: 11 (83 CRI), 55 (90+ CRI)

Life: 50,000 hrs

Lumen Maintenance: >70% of initial lumens @ 50,000 hrs

Lumen Output (3000K): up to 2250 lm, up to 77.3 lm/w

CBCP (3000K): up to 14,560

Beam Options: Spot 15°, Flood 25°, Wide Flood 40°

Optional solite aperture lens

MOUNTING:

For use in sheetrock or T-grid ceilings, 1" thick standard
Consult factory for thicker ceilings

26" Hanger bars included. Consult factory for hanger bars greater than 26"

LABELING:

 approved to UL standard as tested by CSA

Damp location

Wet location option (adds clear lens and trim gasket)

IC/AT rated (13w & 16w only)

E4.75SD-A15
LED



PROJECT:

TYPE:

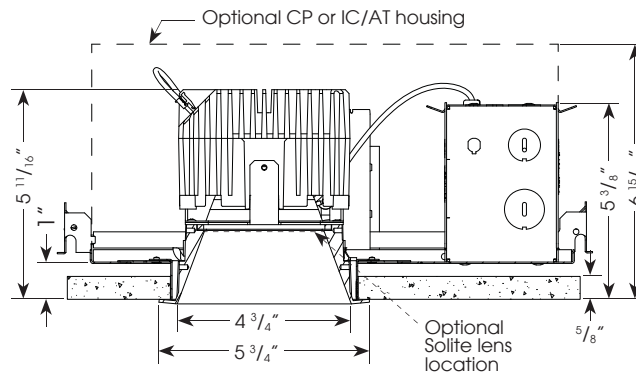
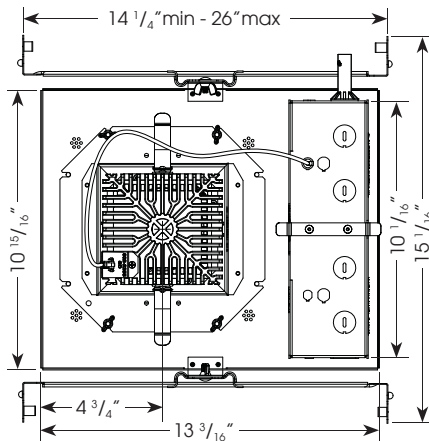


Electrostatic sensitive device,
observe precautions for
handling

Title 24
Compliant

5 year limited
warranty
AMERLUX LED

(see website for details)



Ceiling Cut Out Dimension: 5 1/8" sq.

ELECTRICAL

Driver	13w		16w		21w†		29w†	
	System Watts	Amps	System Watts	Amps	System Watts	Amps	System Watts	Amps
Electronic 120v	13	0.11	16	0.13	21	0.18	29	0.24
277v	13	0.05	16	0.06	21	0.08	29	0.10

†Includes thermal protector, 2w power consumption

ORDERING INFORMATION:

FRAME:					REFLECTOR:				
Model	Wattage	Lamp Type	Voltage	Options	Model	Aperture Finish/Flange Finish	Beam Spread	Color Temp (CCT-CRI)	Options
E4.75S-A15	13*	LED	120	0-10V - 0-10v 1% dimming	E4.75SD-A15	MWW - matte white/white	SP - spot, 15°	27 - 2700-83	SOL - solite lens
	16*		277	HILUME - Lutron Hi-lume®EcoSystem		MBW - matte black/white	FL - flood, 25°	30 - 3000-83	WET - wet location
	21			3 wire, 1% dimming		SLVW - silver/white	WF - wide flood, 40°	35 - 3500-83	
	29			DALI - DALI 1% dimming		MBB - matte black/black		40 - 4000-83	
				EM - emergency battery pack with remote test switch (not available for CP or IC/AT options)				229 - 2200-90+	
				CP - Chicago Plenum (13W, 16w & 21w only)				279 - 2700-90+	
				IC/AT - insulated ceiling, air tight (13W & 16w only)				309 - 3000-90+	
								359 - 3500-90+	
								3CLA - 3K Class A	
								CRISP - CrispWhite	

Complete Unit Example: E4.75S-A15-29-LED-120/E4.75SD-A15-MWW-WF-30

Frame Example: E4.75S-A15-29-LED-120

Reflector Example: E4.75SD-A15-MWW-WF-30

Cat #:

Amerlux® reserves the right to change details that do not affect overall function and performance.

EVOKE®

4.75" SQUARE DOWNLIGHT LED

E4.75SD-A15
LED



TYPE:



FIXTURE DATA: For 13w data, multiply by 0.81; For 21w data, multiply by 1.3
For 29w data, see next page

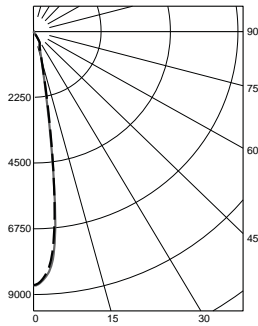
Complete photometric data (ies format) available upon request.

CCT Correction Factors: 2700-83 = 0.96; 3500-83 = 1.02; 4000-83 = 1.04; 2200-90+ = 0.71; 2700-90+ = 0.80; 3000-90+ = 0.83; 3500-90+ = 0.87; CRISP = 0.65

16W LED 3000K-83

SPOT
DISTRIBUTION
LTL #1085464

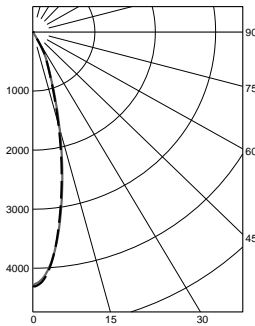
Lumen Output
1170 lm; 74.2 lm/w



Candelas at Nadir	
Deg	Candela
0	8683
5	7514
15	956
25	466
35	25
45	23

FLOOD
DISTRIBUTION
LTL #1085465

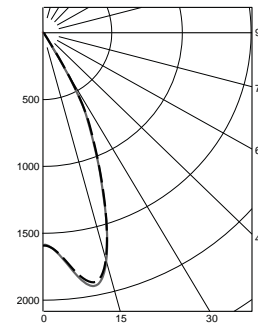
Lumen Output
1187 lm; 75.4 lm/w



Candelas at Nadir	
Deg	Candela
0	4305
5	3828
15	1733
25	549
35	24
45	18

WIDE FLOOD
DISTRIBUTION
LTL #1085466

Lumen Output
1183 lm; 75.1 lm/w

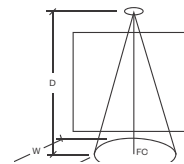


Candelas at Nadir	
Deg	Candela
0	1592
5	1703
15	1763
25	813
35	62
45	19

APPLICATION DATA:

Notes and Definitions:

Beam spread is to 50% center beam candlepower (CBCP).
D=Distance to floor or wall.
FC=Footcandles on floor or wall at center beam aiming location.
L=Effective Visual Beam length in feet (50% of maximum footcandle level).
W=Effective Visual Beam width in feet (50% of maximum footcandle level).
CB=Distance across or down to center beam location.



	D	FC	0° Aiming Angle Horizontal Footcandle	
			L	W
SPOT	5.0'	394	1.2	1.2
	7.5'	168	1.9	1.9
	10.0'	93	2.9	2.9
	12.5'	59	3.4	3.4
FLOOD	5.0'	195	2.0	2.0
	7.5'	83	3.2	3.1
	10.0'	46	4.2	4.1
	12.5'	29	5.3	5.2
WIDE FLOOD	5.0'	82	3.7	3.8
	7.5'	35	5.7	5.7
	10.0'	19	7.7	7.7
	12.5'	13	9.6	9.7

EVOKE®

4.75" SQUARE DOWNLIGHT LED

E4.75SD-A15
LED



TYPE:



FIXTURE DATA: For 13w data, multiply by 0.45; For 21w data, multiply by 0.72
For 16w data, see previous page

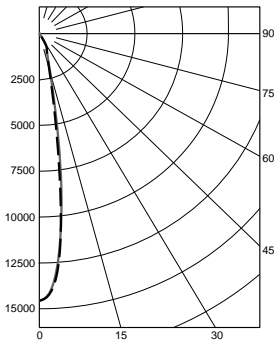
Complete photometric data (ies format) available upon request.

CCT Correction Factors: 2700-83 = 0.96; 3500-83 = 1.02; 4000-83 = 1.04; 2200-90+ = 0.71; 2700-90+ = 0.80; 3000-90+ = 0.83; 3500-90+ = 0.87; CRISP = 0.65

29W LED 3000K-83

SPOT
DISTRIBUTION
LTL #1085469

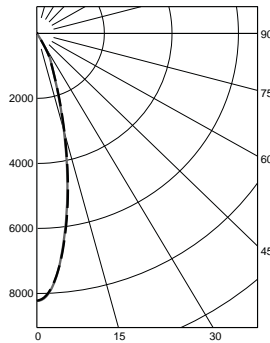
Lumen Output
2140 lm; 73.6 lm/w



Candelas at Nadir	
Deg	Candela
0	14560
5	11710
15	1994
25	896
35	66
45	44

FLOOD
DISTRIBUTION
LTL #1085468

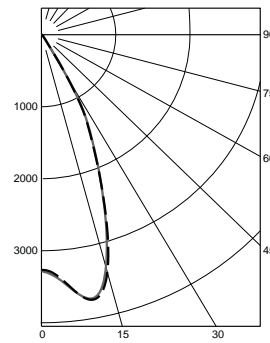
Lumen Output
2249 lm; 77.3 lm/w



Candelas at Nadir	
Deg	Candela
0	8226
5	7332
15	3186
25	1035
35	44
45	33

WIDE FLOOD
DISTRIBUTION
LTL #1085467

Lumen Output
2250 lm; 77.3 lm/w

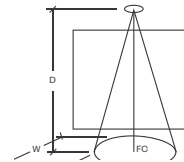


Candelas at Nadir	
Deg	Candela
0	3267
5	3461
15	3302
25	1551
35	124
45	35

APPLICATION DATA:

Notes and Definitions:

Beam spread is to 50% center beam candlepower (CBCP).
D=Distance to floor or wall.
FC=Footcandles on floor or wall at center beam aiming location.
L=Effective Visual Beam length in feet (50% of maximum footcandle level).
W=Effective Visual Beam width in feet (50% of maximum footcandle level).
CB=Distance across or down to center beam location.



		0° Aiming Angle Horizontal Footcandle			
		D	FC	L	W
SPOT	5.0'	661	1.3	1.3	
	7.5'	282	2.1	2.0	
	10.0'	155	2.9	2.9	
	12.5'	98	3.5	3.4	
FLOOD	5.0'	374	2.0	2.0	
	7.5'	159	3.1	3.2	
	10.0'	88	4.2	4.2	
	12.5'	56	5.2	5.3	
WIDE FLOOD	5.0'	158	3.7	3.7	
	7.5'	69	5.6	5.6	
	10.0'	38	7.6	7.5	
	12.5'	24	9.5	9.5	

EVOKE®

4.75" SQUARE DOWNLIGHT LED

E4.75SD-A15
LED



TYPE:



DIMMING COMPATIBILITY:

Amerlux® fixtures are compatible with all major dimming protocols prevalent in the United States. Please see below for general compatibilities and wiring diagrams. Amerlux recommends testing your unique dimming configuration as the exact full configuration (Dimmer, Fixture Quantity, Voltage, etc) may affect dimming performance.

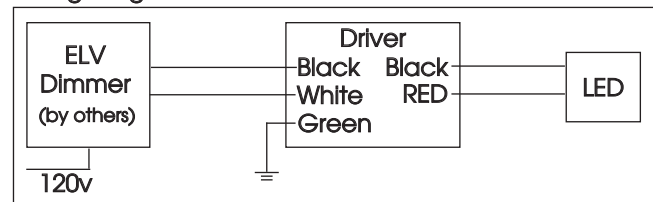
ELV - Electronic Low Voltage (Reverse Phase) DIMMING (standard)

Utilizes specialized "ELV" dimmers. Best for New Construction applications

Notes:

- 120v or 277v
- Dims down to less than 5% light output (most cases)
- Consult Dimming manufacturer for installation Instructions - DO NOT SHARE NEUTRALS!
- Must meet dimmer Minimum Load Requirements

Wiring Diagram



Compatible Dimmers

Wall Box (ELV Style)

Lutron "Diva"
Lutron "Nova-T"
Lutron "Maestro"
Leviton "Surslide"

Lutron "Vareo"
Lutron "Skylark"

Leviton "Vizio"

Central System

ETC "SR" Rack w/ELV10
Module

ETC "DRD" Rack w/ELV10
Module

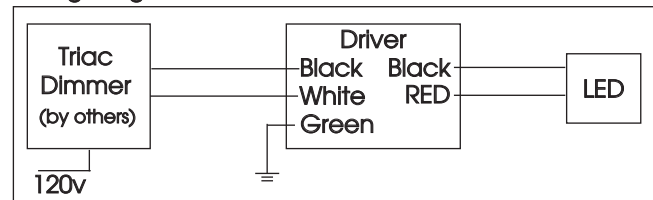
TRIAC (Forward Phase) DIMMING (standard)

Utilizes "Standard" incandescent dimmers that are in wide use in installations across the US. Best for retrofit applications where Triac dimmers are installed.

Notes:

- 120v or 277v
- Dims down to less than 5% light output (most cases)
- Consult Dimming manufacturer for installation Instructions - DO NOT SHARE NEUTRALS!
- Must meet dimmer Minimum Load Requirements per dimming manufacturer

Wiring Diagram



Compatible Dimmers

Wall Box (Incandescent Style, Wattage as required)

Lutron "Diva"
Lutron "Nova-T"
Lutron "Maestro"

Lutron "Vareo"
Lutron "Skylark"

Central System

ETC "SR" Rack w/D20
Module
Lutron "GP" Panel

ETC "DRD" Rack w/D20
Module
Lutron Grafix Eye QS

EVOKE®

4.75" SQUARE DOWNLIGHT LED

E4.75SD-A15
LED



TYPE:



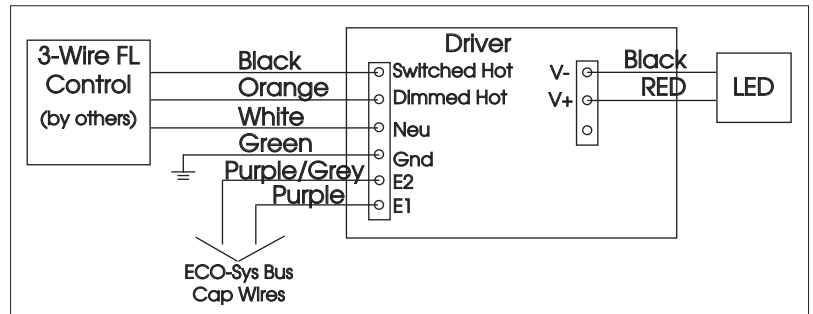
LUTRON HI-LUME / ECO-SYSTEM (-HILUME Option)

Integrates into a variety of building management and daylighting controls

Notes:

- 120v or 277v
- Dims down to less than 1% light output
- May use 3-Wire or Ecosystem Control
- Consult Dimming manufacturer for installation instructions - DO NOT SHARE NEUTRALS!

3-Wire Wiring Diagram



Compatible Dimmers

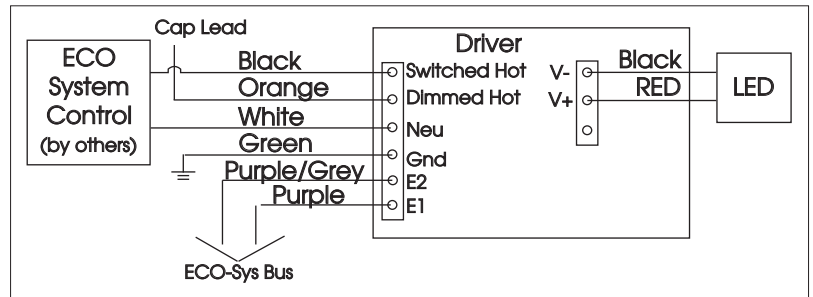
Wall Box (3-Wire Fluorescent)

DIVA
Maestro
Nova T
Vareo

Central System

Lutron ECO-System compatible controls
ETC "SR" Rack w/D20F Module
ETC "DRD" Rack w/D20F Module

ECO System Digital Control Wiring



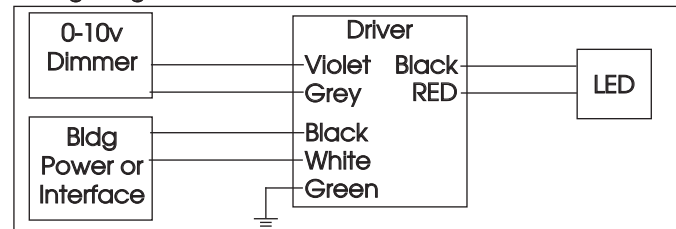
0-10V - DIMMING (-0-10V Option)

Integrates into a variety of building management and daylighting controls

Notes:

- 120v - 277v
- Dims down to less than 1% light output
- Requires interface to turn off power to driver
- Consult Dimming manufacturer for installation instructions - DO NOT SHARE NEUTRALS!

Wiring Diagram



Compatible Dimmers

Wall Box

Lutron "Diva" - DTV with PP-120H Interface

Leviton Renoir II 0-10v

Central System

Lutron Grafix Eye with GRX-TVI Interface